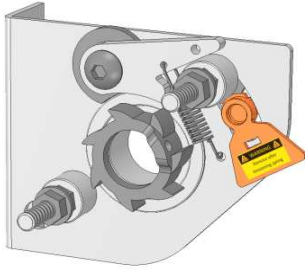
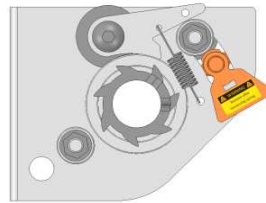


5255167-W
5255167-K

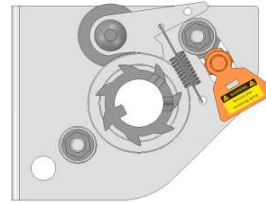
Spring break device
for residential doors



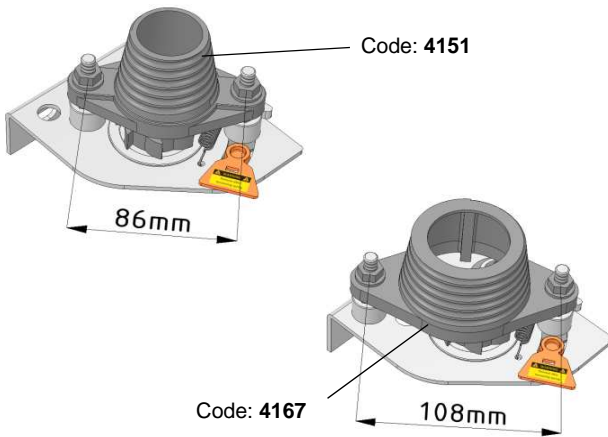
INSTALLATION GUIDE



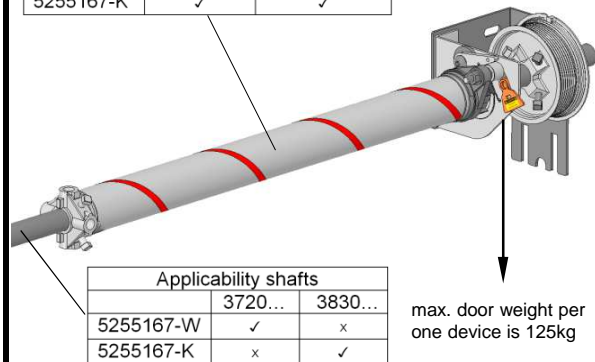
5255167-W



5255167-K

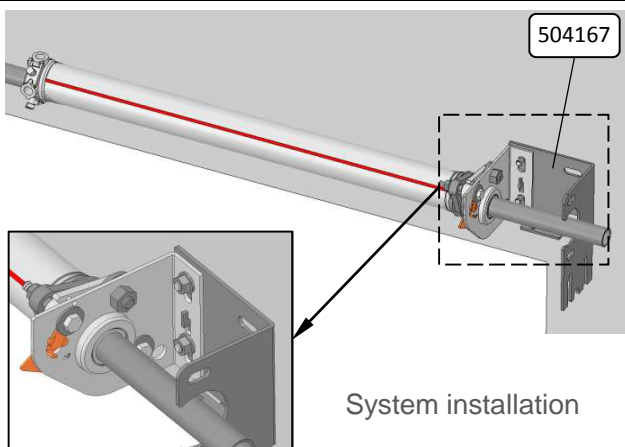


Applicability spring diameters		
	2" (51mm)	2 5/8" (67mm)
5255167-W	✓	✓
5255167-K	✓	✓

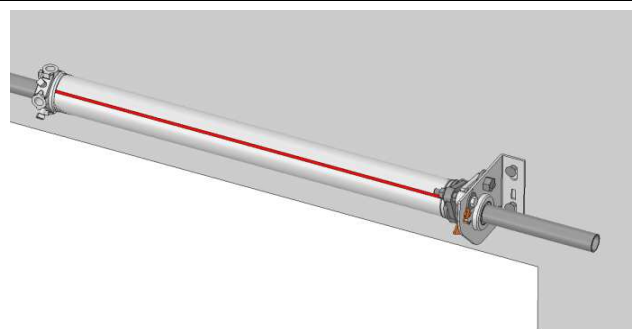


Applicability shafts		
	3720...	3830...
5255167-W	✓	x
5255167-K	x	✓

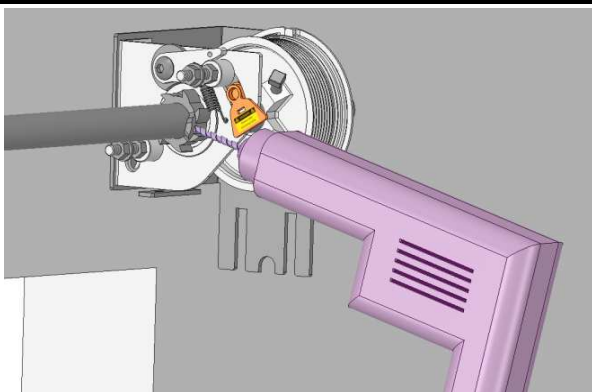
max. door weight per
one device is 125kg



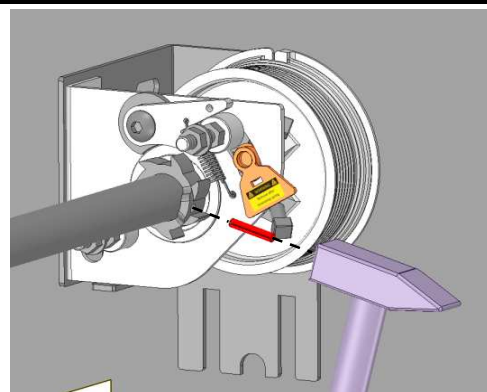
System installation



Alternative wall installation



5255167-W installation



5255167-K installation

5255167-K installation

