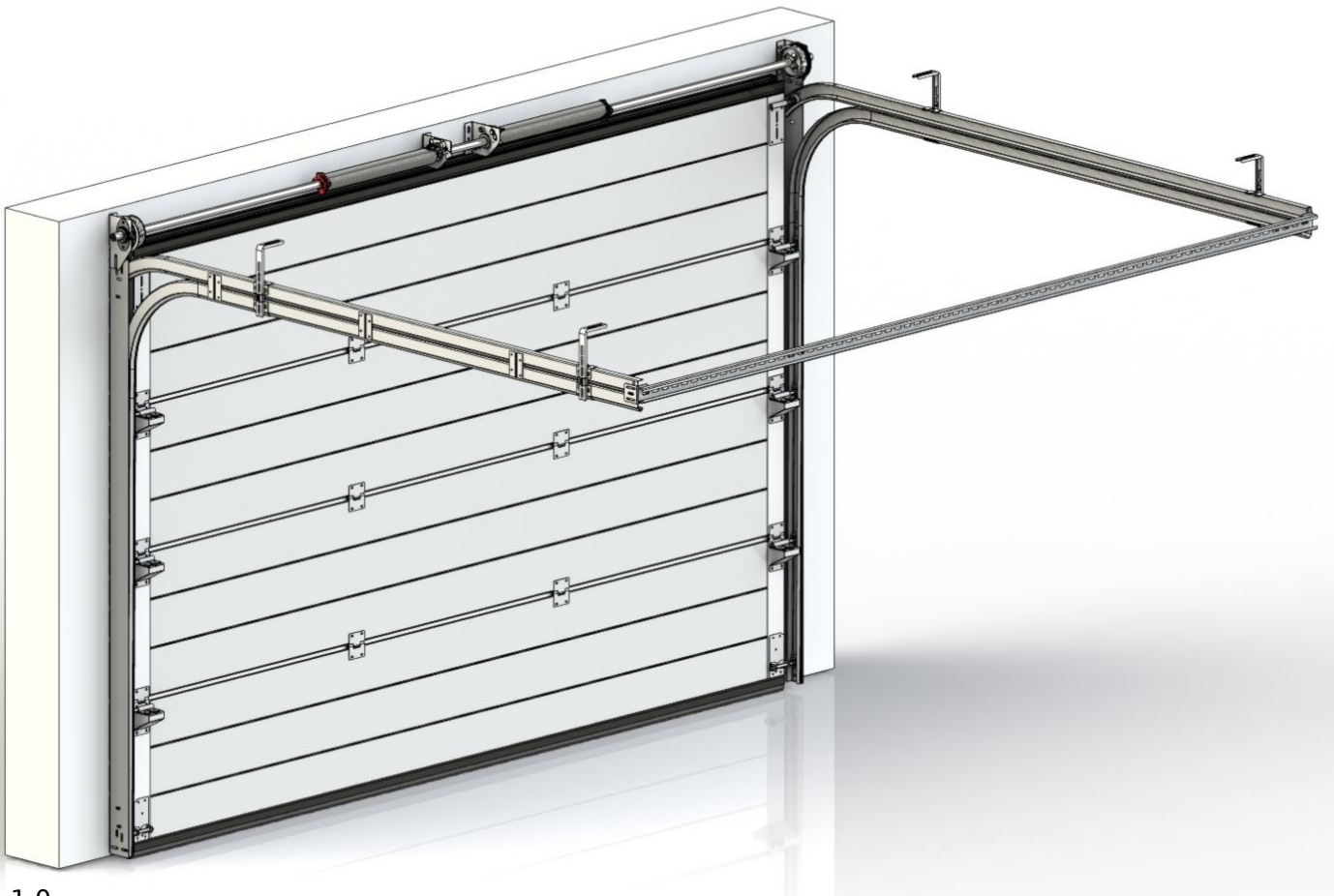




PASEDO [®]
Garage door components

FOR PROFESSIONAL ASSEMBLY

RF200



ver. 1.0

1. Guarantee conditions

The manual has been prepared to be used by qualified workers and cannot be used by people who are not entitled. Should any questions or doubts occur, you are requested to contact PASEDO company. The manual presents correct way of montage of garage door hardware only. In order to assembly a garage door with sandwich panel and other devices, the producer should follow manuals of the sandwich panel and other devices. The sandwich panel and other devices should be produced according to European Union rules.

2. Assembly conditions

Unprofessional assembly, any variations of the assembly that are not in accordance with this manual, will be made on the garage door Producer's responsibility. This also applies to any damages caused by improper use and not following the rules of this manual as well as improper service. The system presented in this manual should be used in residential buildings only and can be assembled and run by qualified workers only.

- The garage door can be assembled and put into operation by qualified workers only.
- Make sure that during working with electric devices the power is off.
- Security devices should never be switched off!
- Be careful in case of keen edges, use gloves.
- If visible damages of security device occur, stop further using of the door.
- While assembly/maintenance of the door it is recommended to always use gloves and protection shoes, and during drilling use the protection glasses.
- Make sure that works are carried out in a stable environment.
- Mark out the place of working with a tape so that the children and other people keep a distance.
- The maintenance to be carried out by a professional company or person only.
- Provide sufficient lighting.
- Use the suitable tools, especially for springs torsioning.

3. Control and service just after assembly

When assembly is finished worker should control if all elements are mounted in accordance with the manual, properly tightened as well as they should provide:

- lubrication of shaft bearings and rollers,
- lubrication of hinges,
- lubrication of steel cable,
- placement of Identification Card and required warning labels.

4. Passing the finished product to customer

Producer of door passes it to a user and shows him the way of working of the product, instructs him how to use the door and provide the following documents:

- manual of use and service,
- instructions what to do in case of incorrect working of door.

5. Garage door maintenance and overview

Door overview shall be signed in Door Service Book.

After 3 months since door assembly, assembling person (service person) makes:

- visual control of all elements,
- control of proper door operating and tightening the fasteners if needed.

After 6 months or after 700 cycles the user shall:

- remove impurities from door that have influence on correct working of door,
- lubricate the bearings and rollers,
- lubricate the hinges.

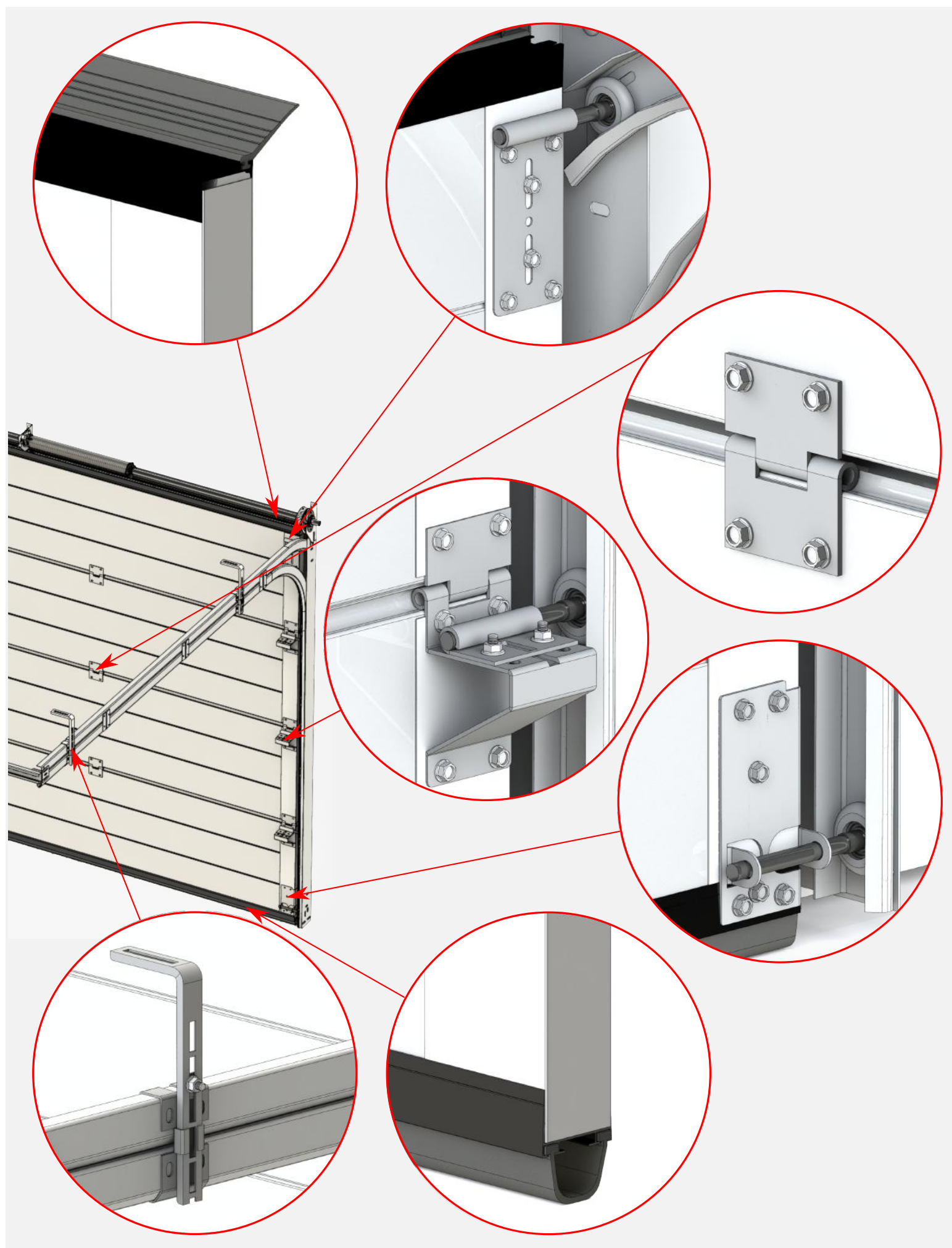
After 12 months since assembly repairer (assembling person) shall control and maintenance of proper door operating:

- roller (damages, material consumption, lubrication),
- control of steel cables consumption, especially connections with cable drums and bottom brackets and working places of cable pulleys if applied,
- control of cable pulleys consumption, if applied,
- spring break device control,
- control of horizontal track connection with ceiling,
- control of shaft brackets,
- control of seals (top, bottom and side) consumption and damages
- control of shaft coupler, if applied.

6. Garage door operator

All electric devices (including operators) that are a part of garage door shall fulfill requirements of European Union standards. Assembly of operator shall be made in accordance with operator's producer's manual. In case of lack of power supply or if there is no separate entrance into the garage, door shall be equipped with drive releaser.





RF200/70-....V

34....

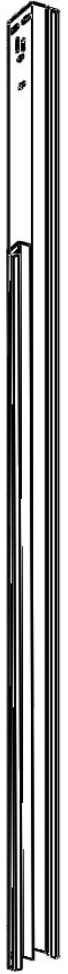
1648 or 1650

RF200-....H

565060

5630221

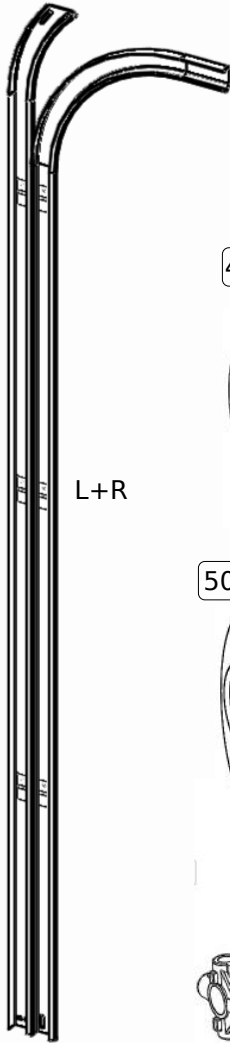
5630400



L+R



X2



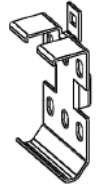
L+R



X2



X4



X4

6160,6180



4008 or 4012

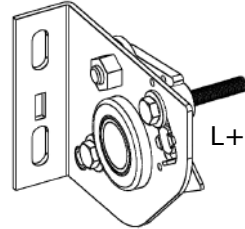


L+R

61616P,61816P

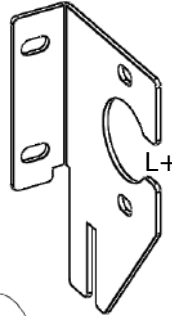


5255167-W



L+R

503167



L+R

503002



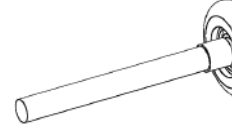
X2

54200

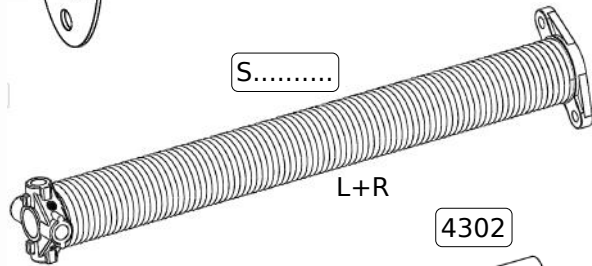


X2

54...

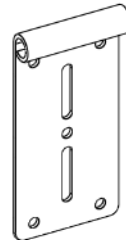


X10-14



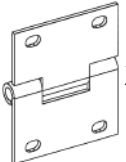
L+R

4302



X2

4220....M



X3-15

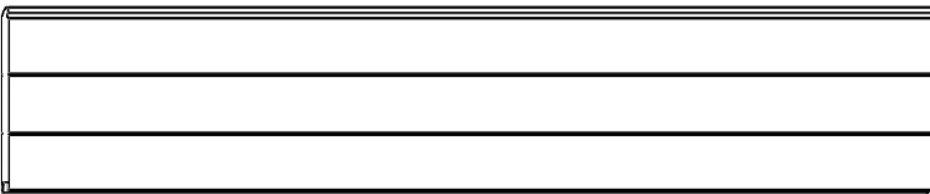
3720.....



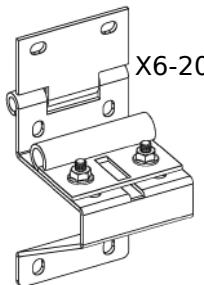
3101



PANEL



4220....

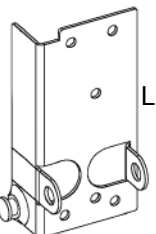


X6-20

4507.....



4401 or 4403



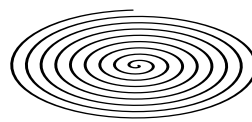
L+R

2002



X2

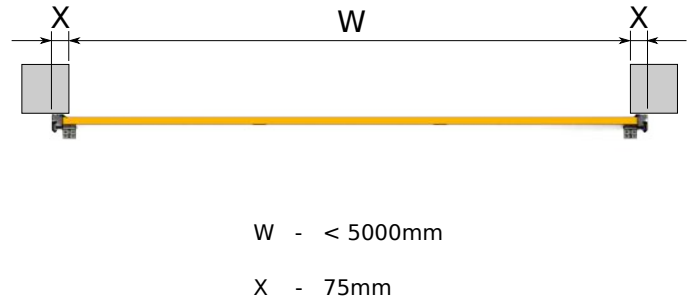
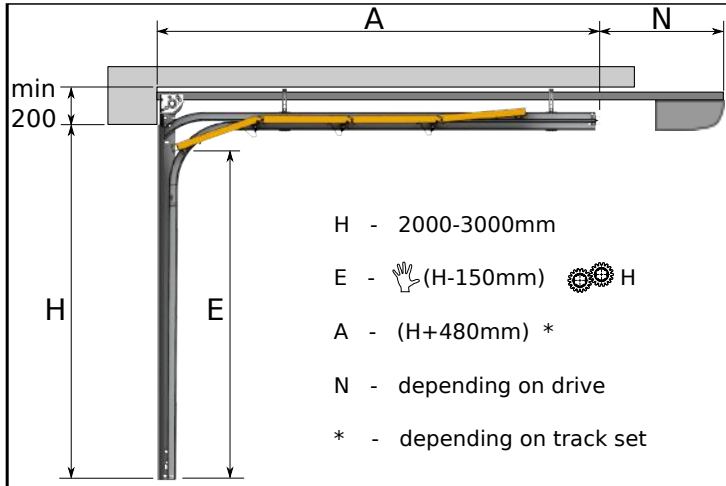
60..



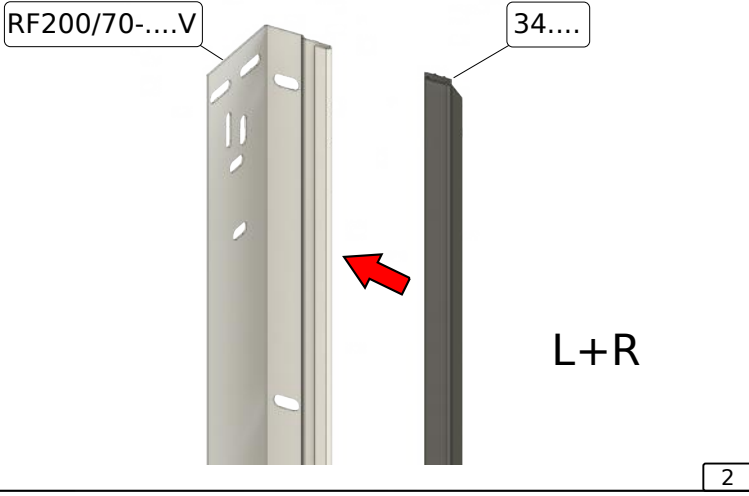
X2

3102 or 3103

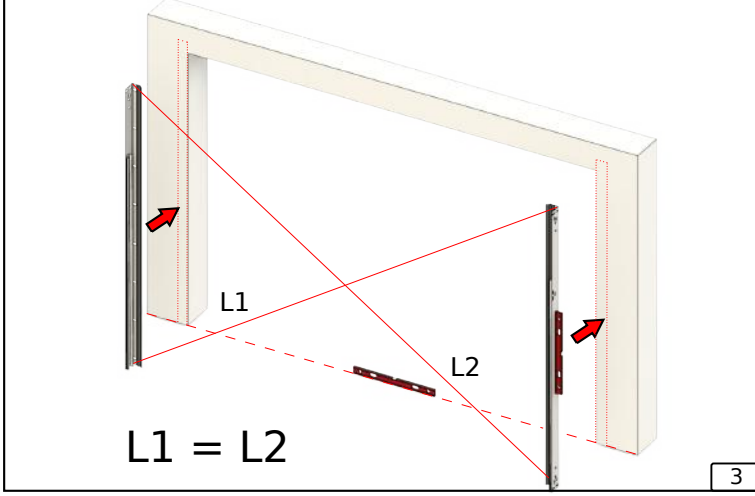




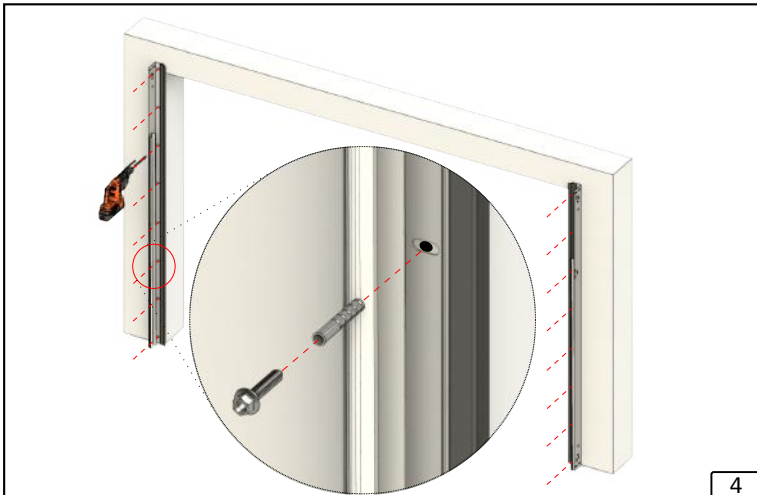
1



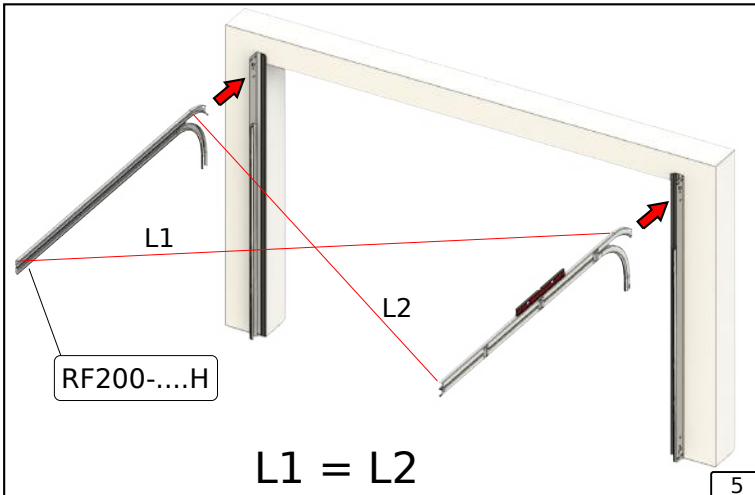
2



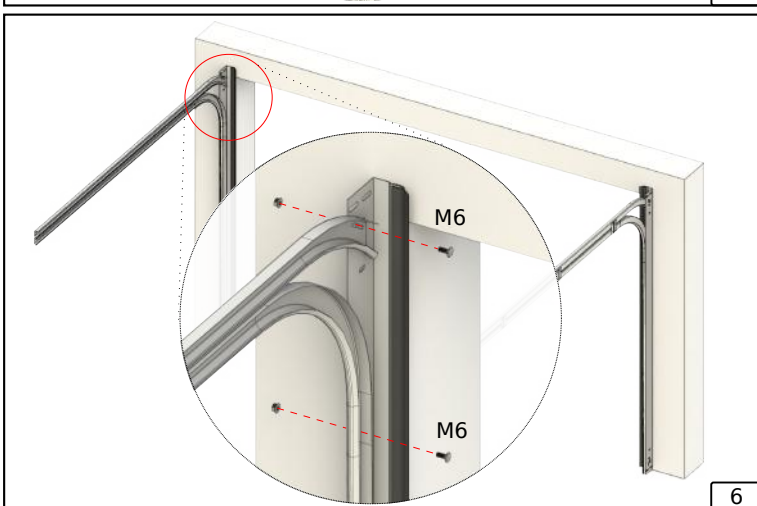
3



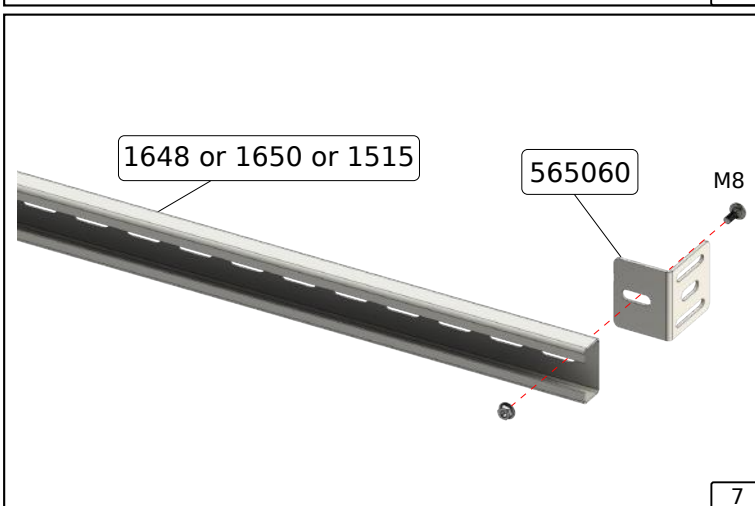
4



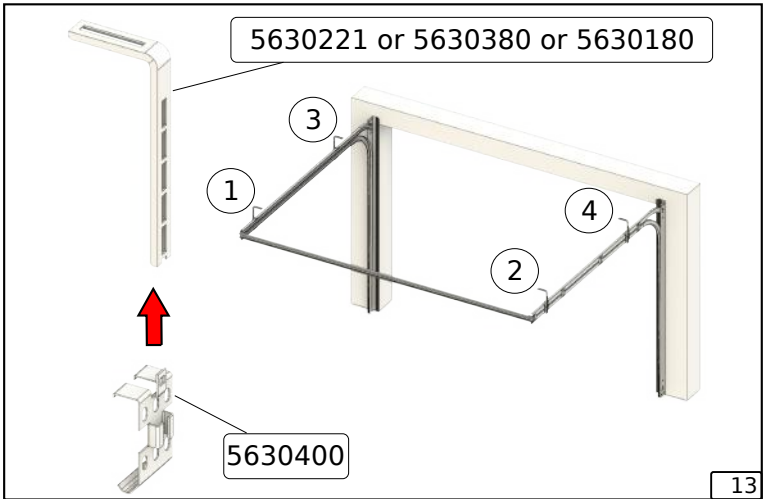
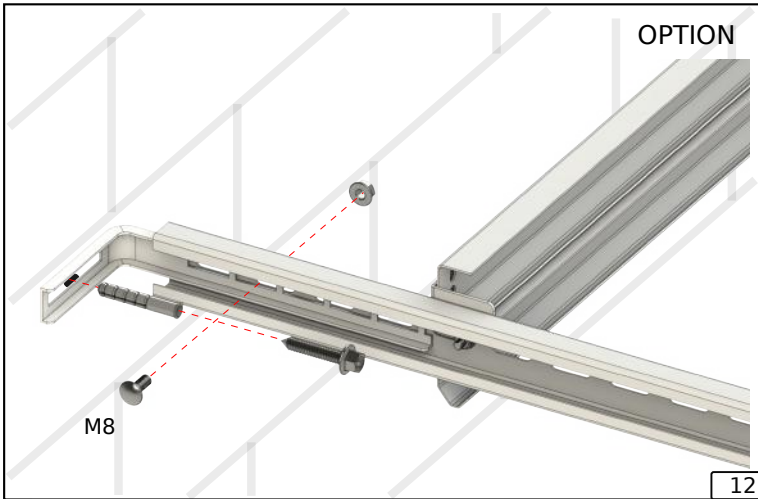
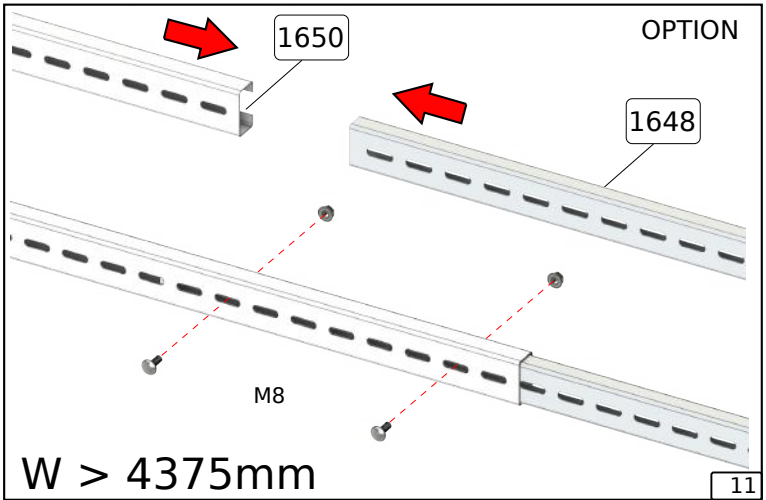
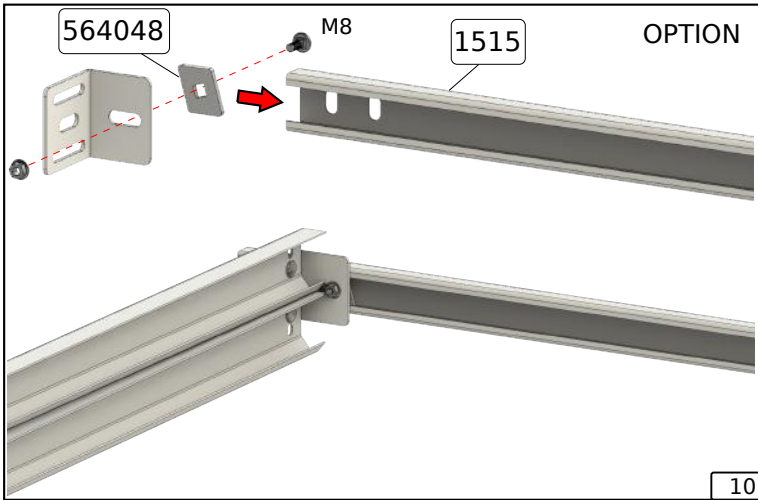
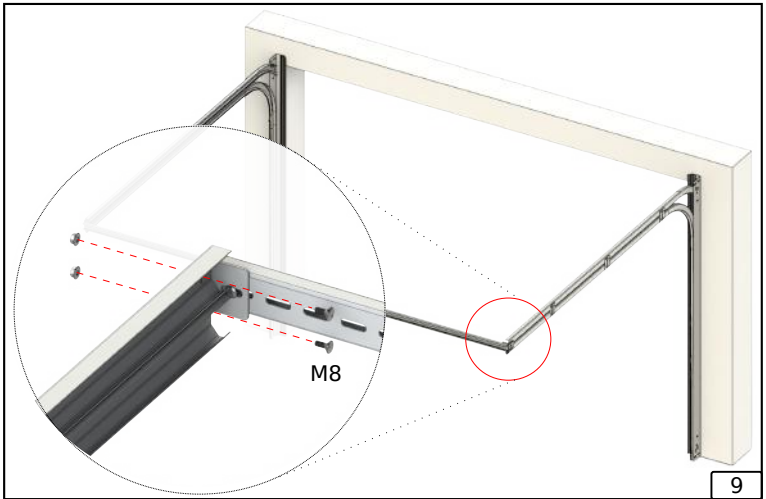
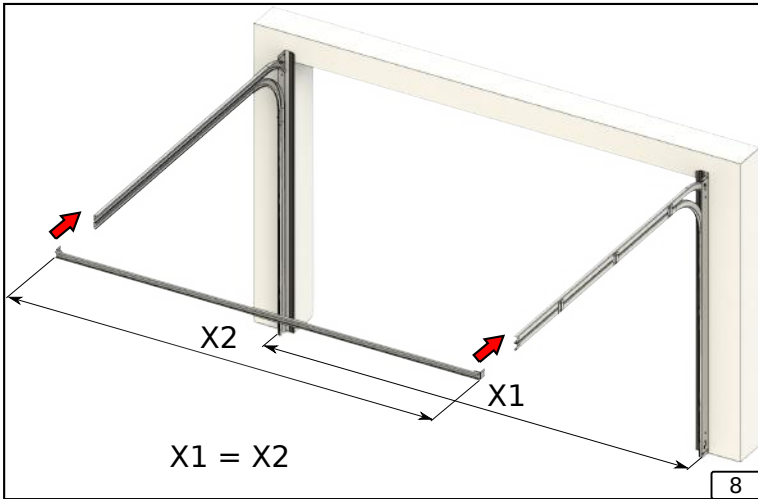
5

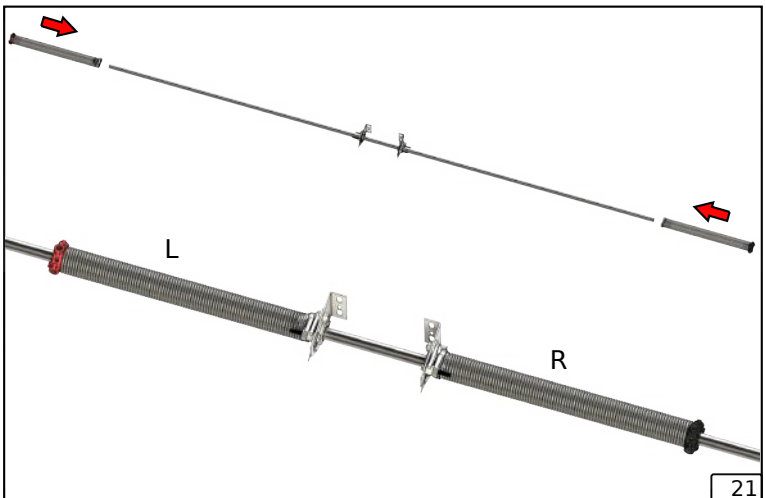
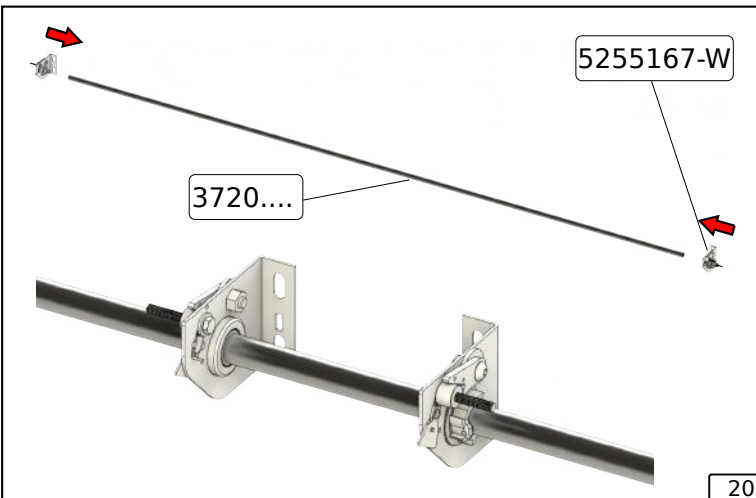
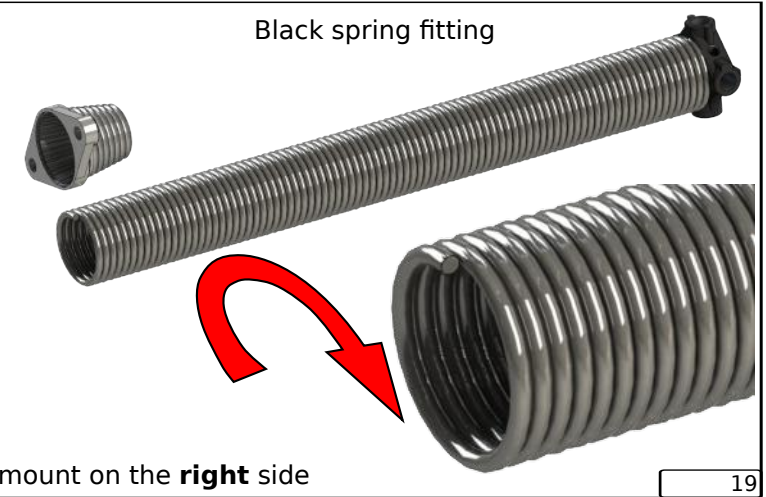
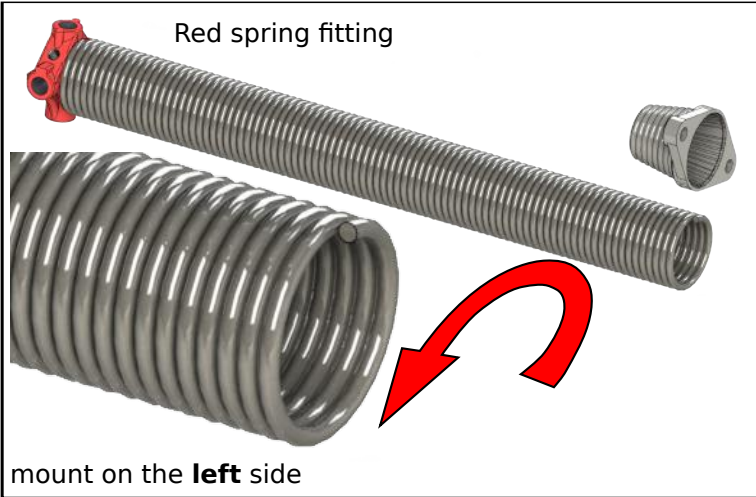
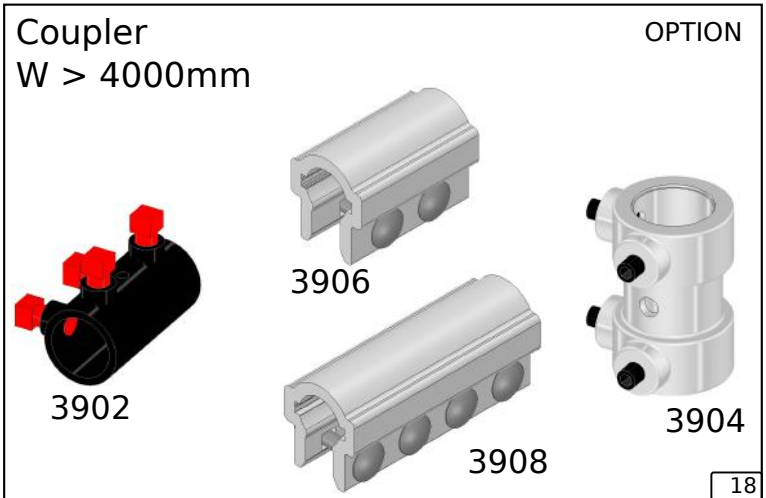
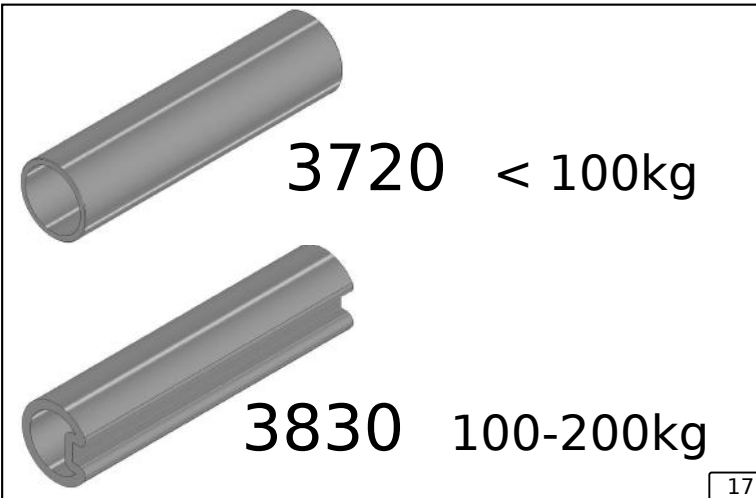
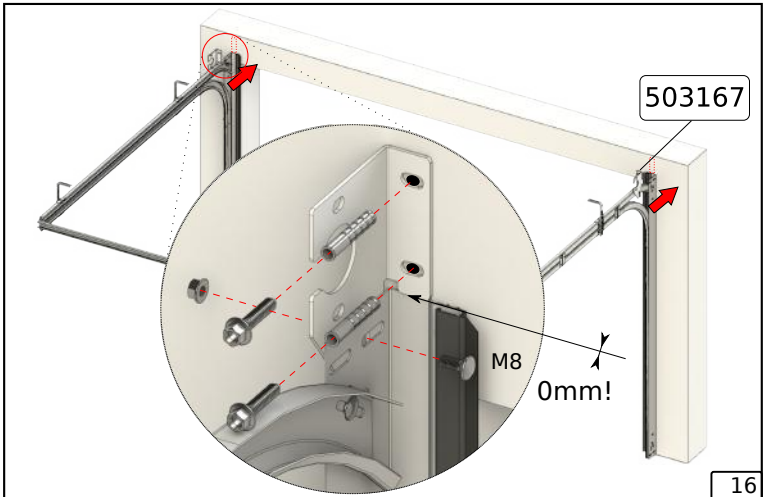
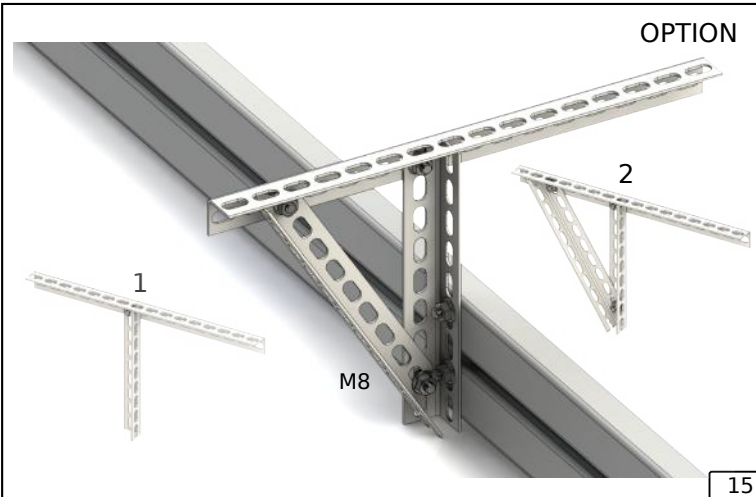


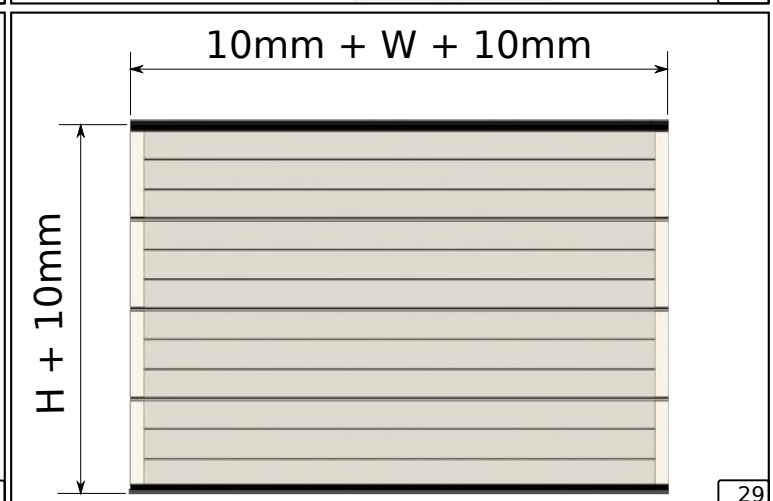
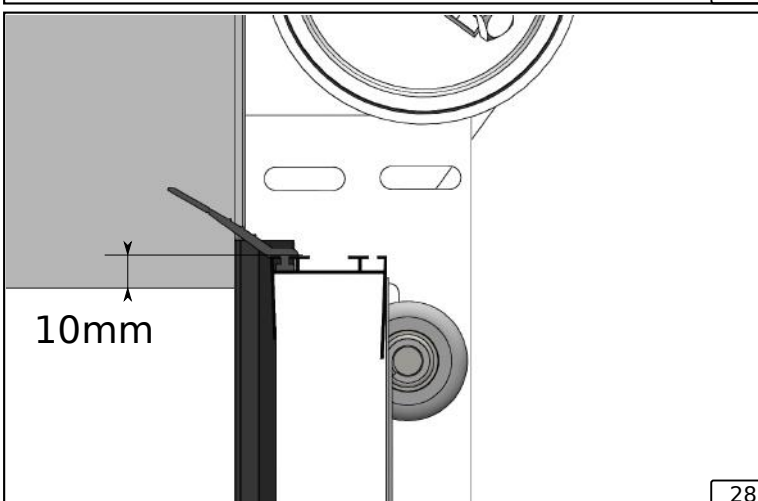
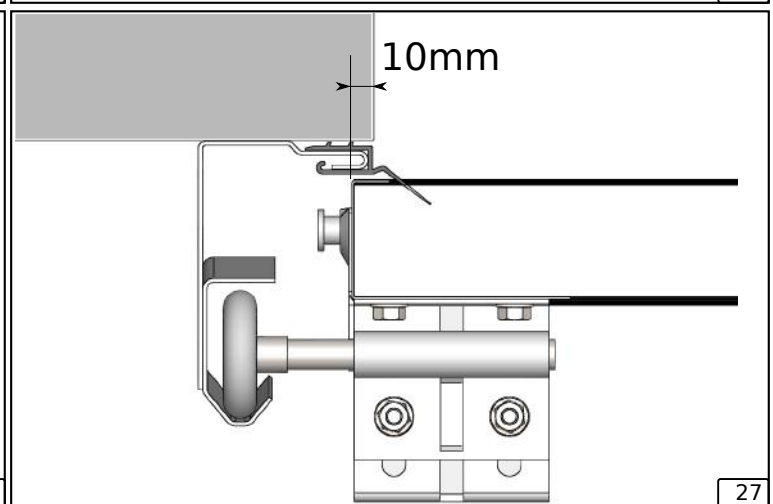
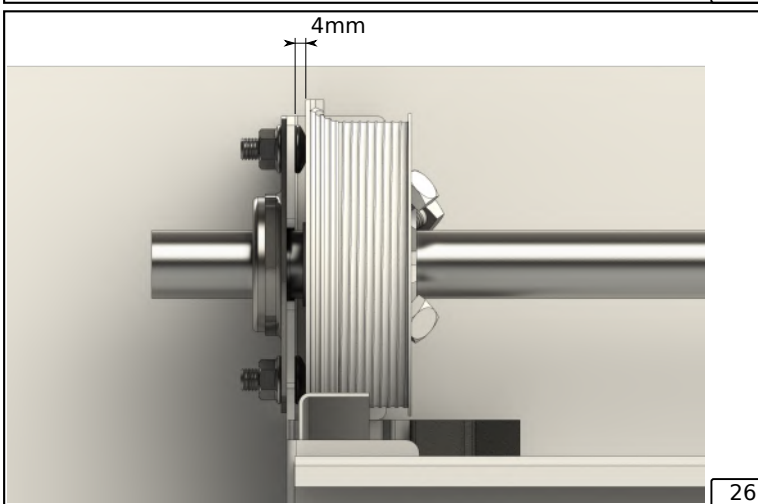
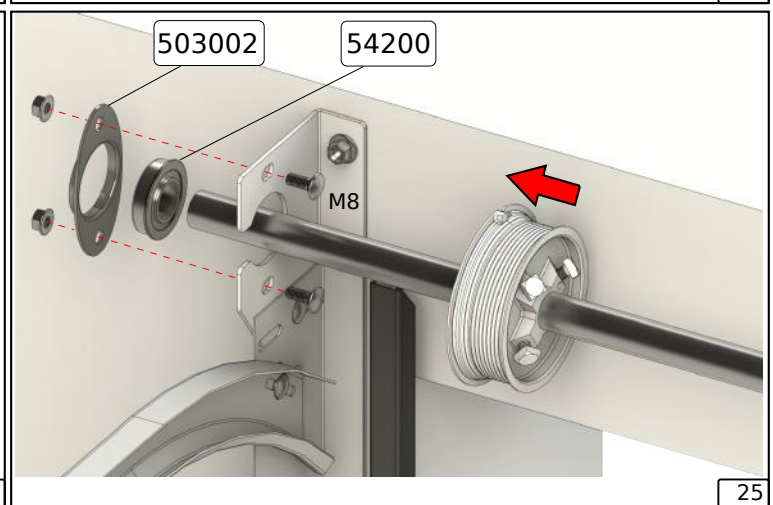
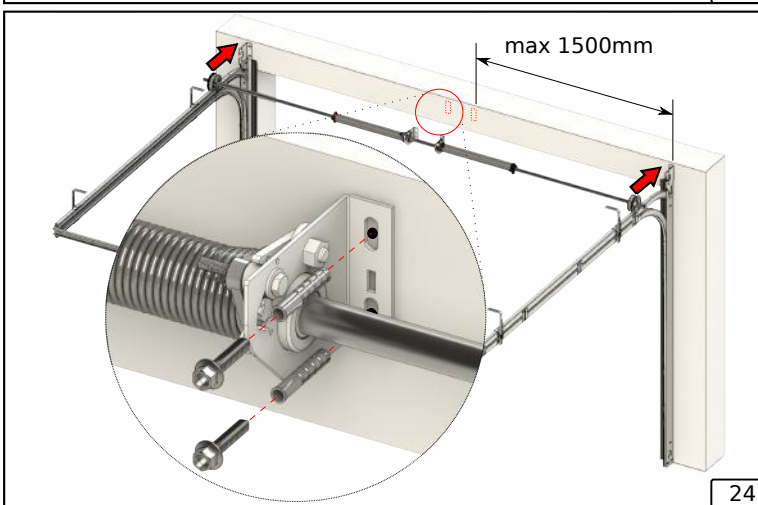
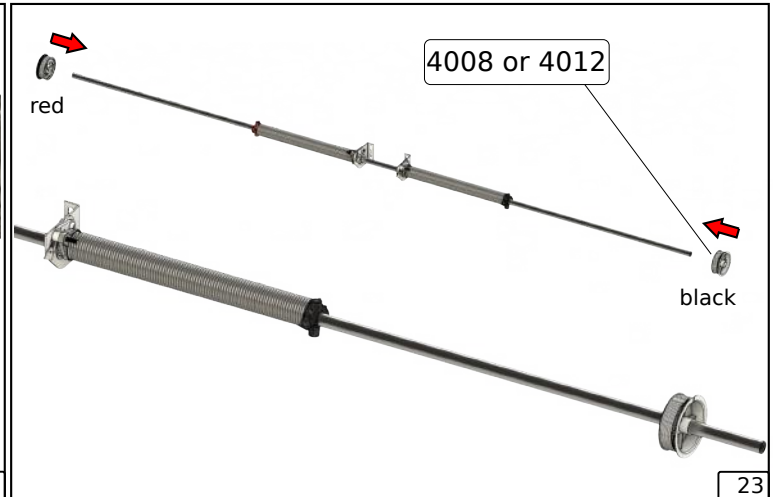
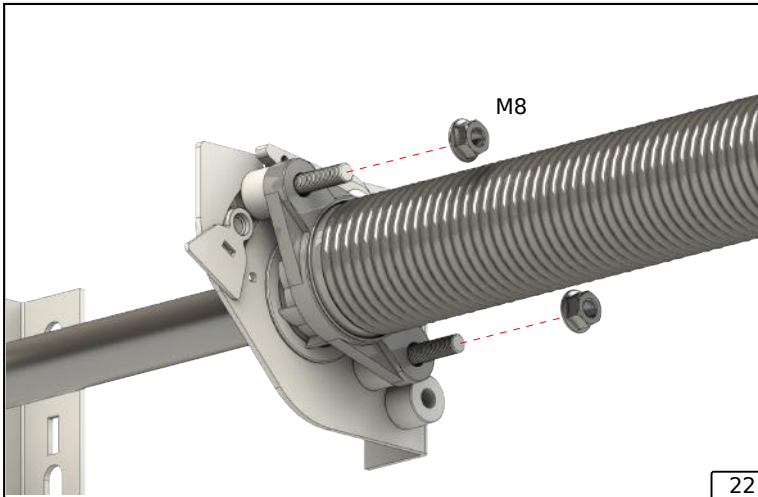
6

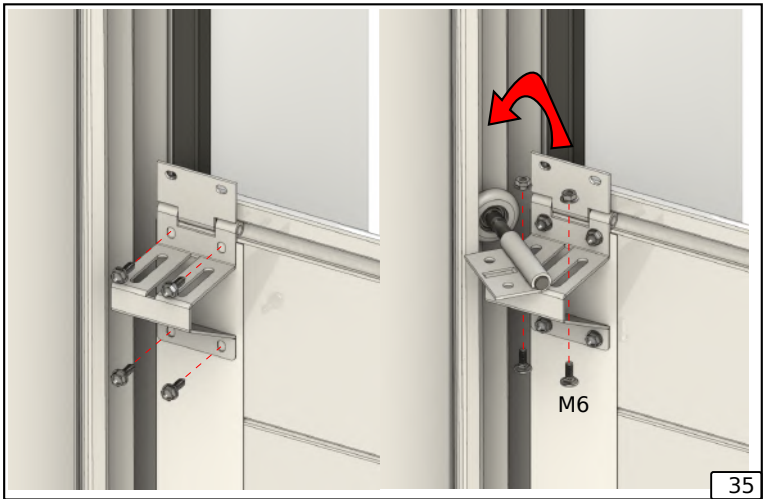
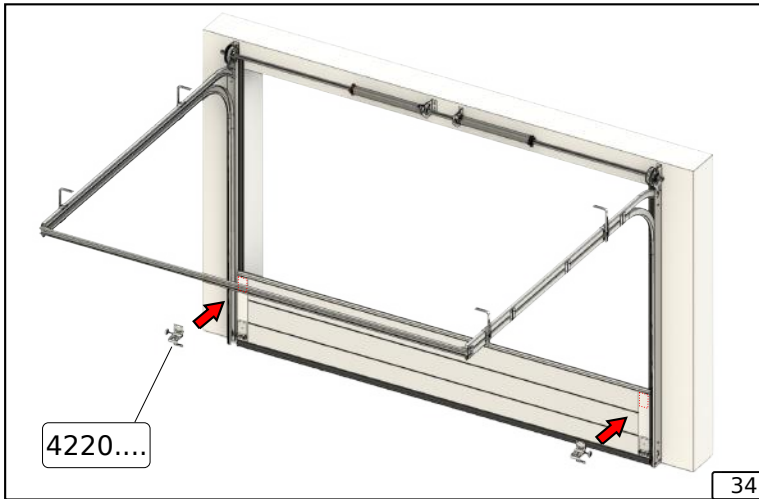
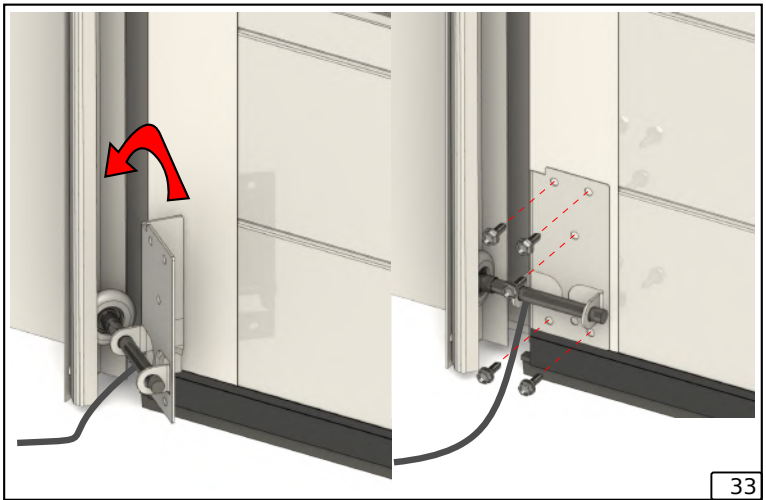
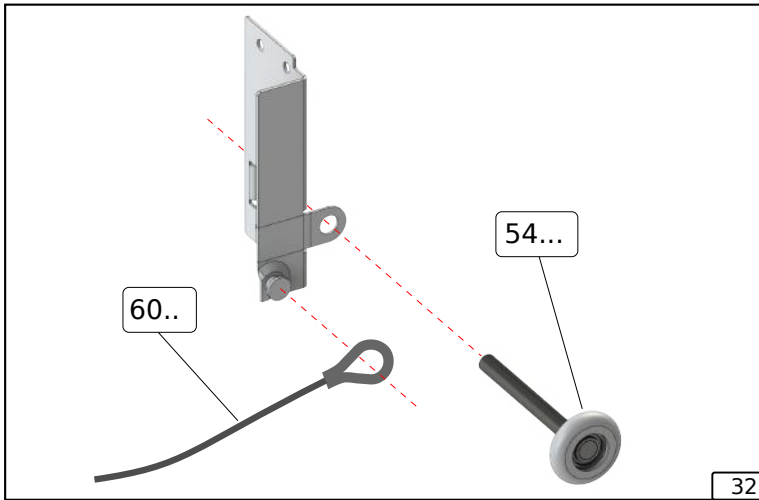
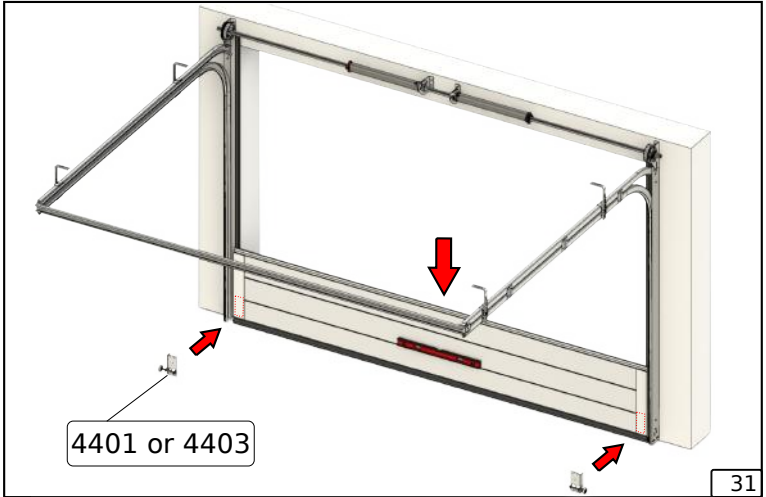
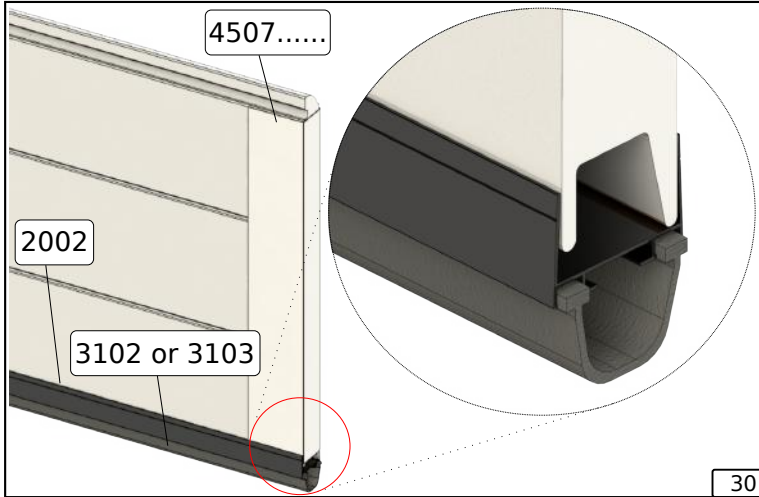


7

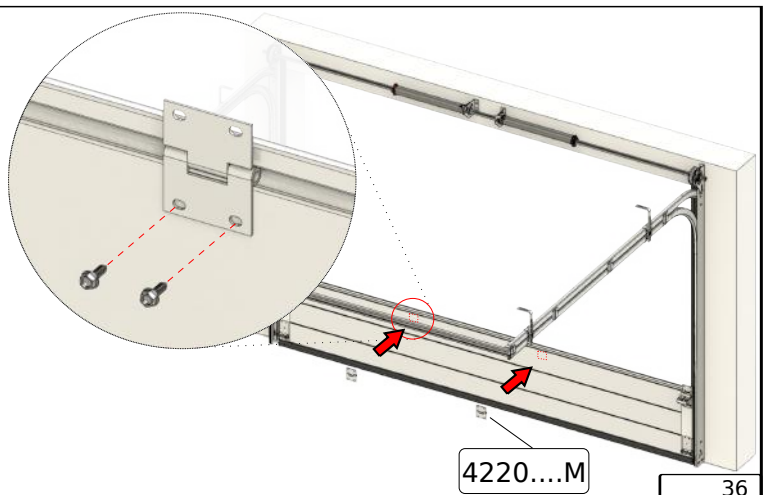


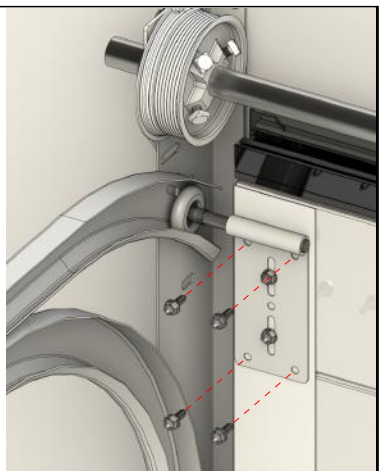
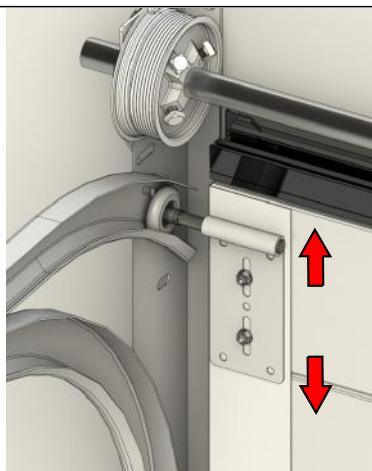
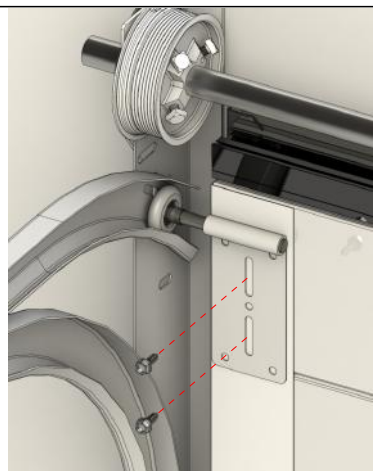
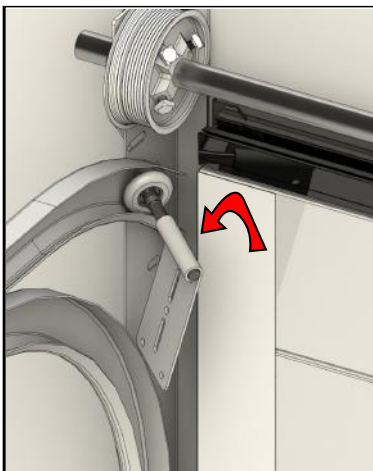
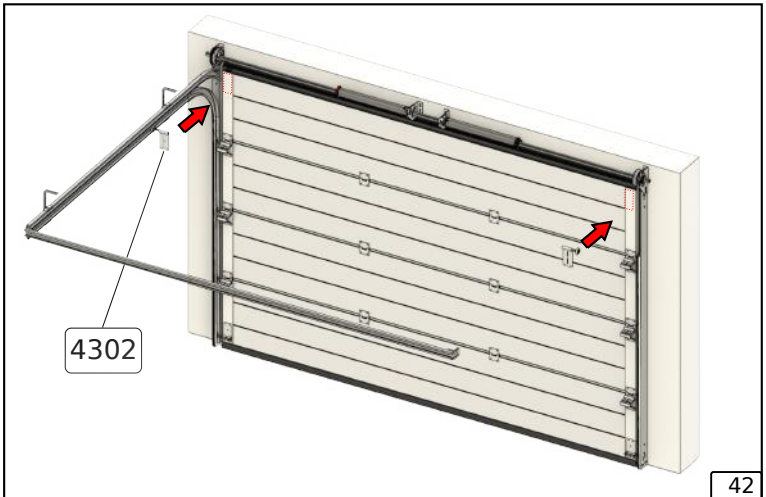
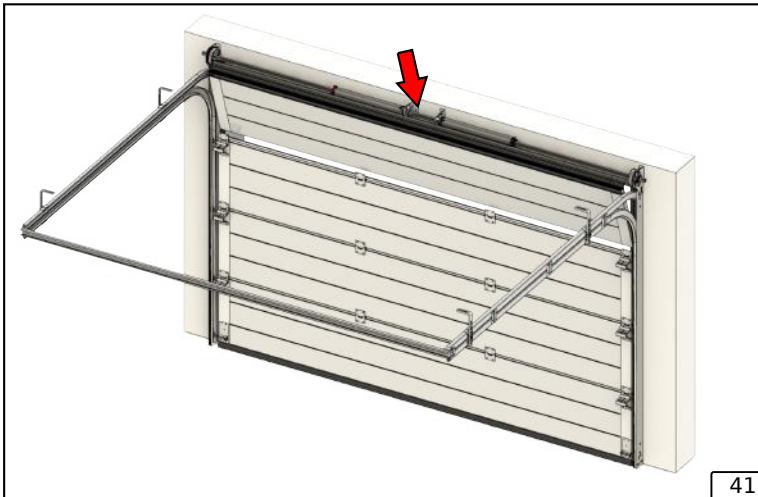
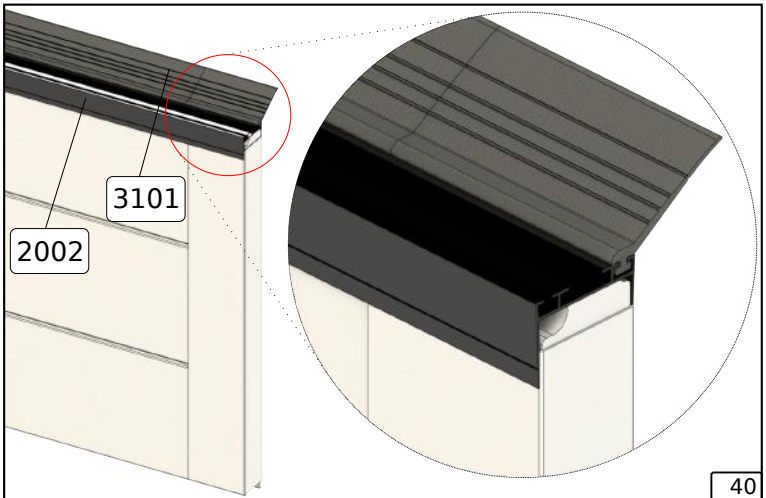
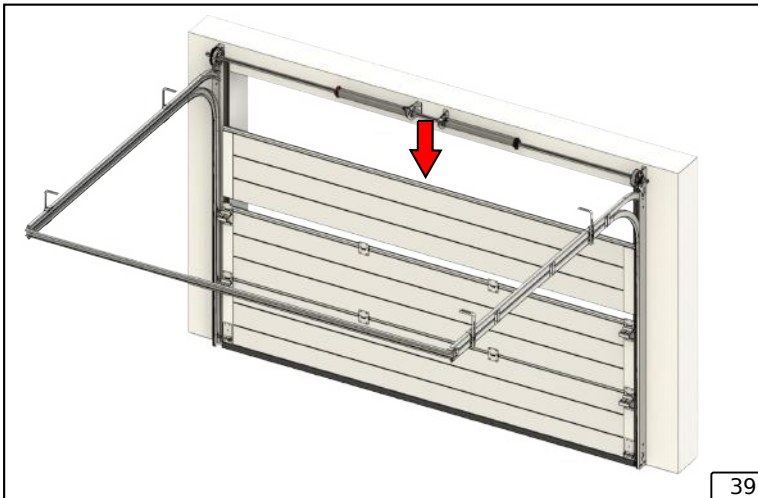
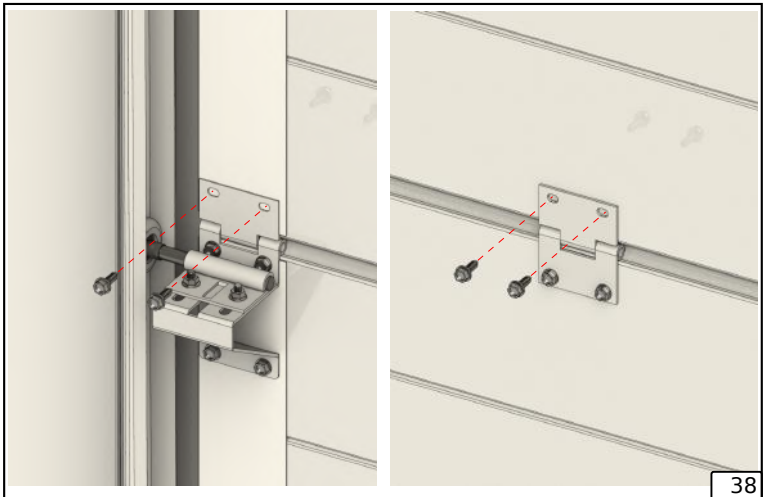
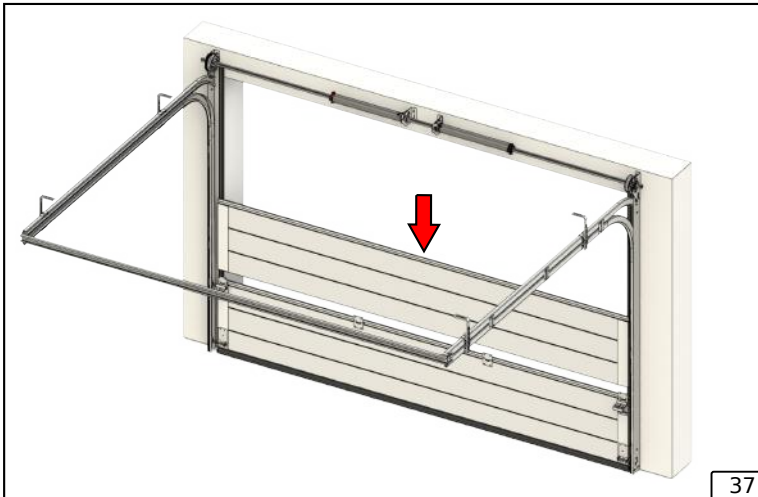


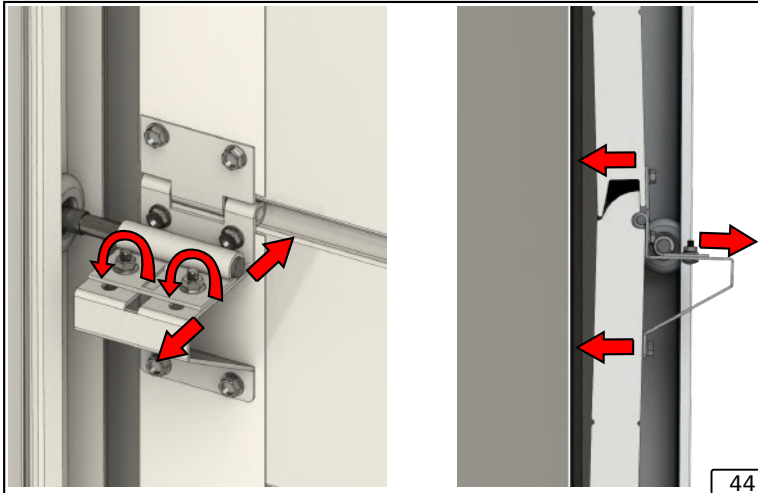




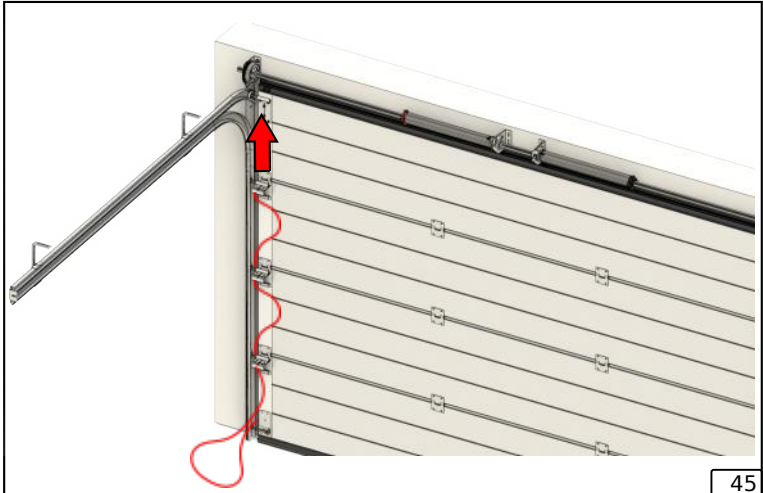
| W | Number of middle hinges |
|---------------|-------------------------|
| 0 - 2750mm | 1 |
| 2750 - 4000mm | 2 |
| 4000 - 5000mm | 3 |



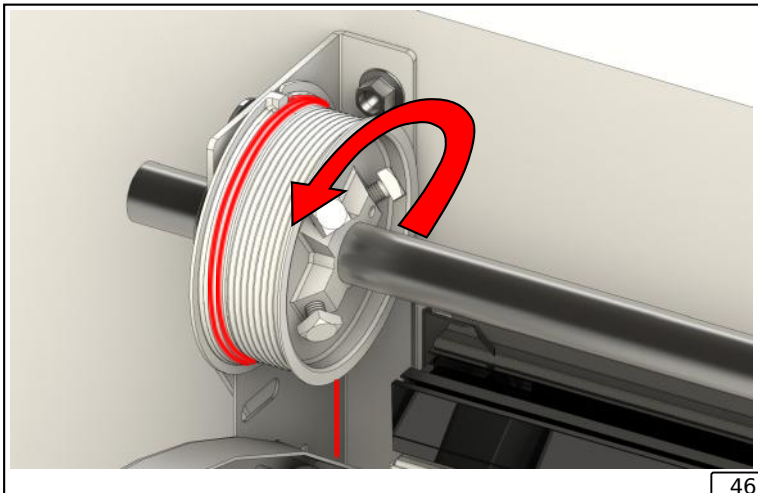




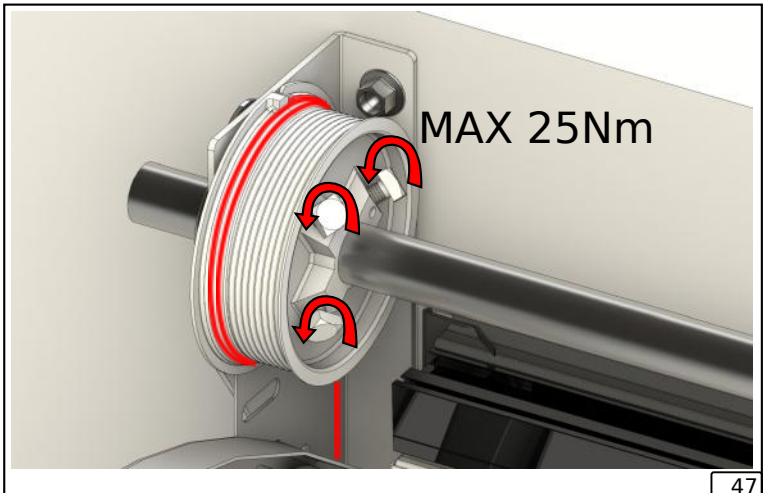
44



45



46



47

| Height | Number of spring turns | | |
|--------|------------------------|--------------|---------|
| | 4panels | 5panels | 6panels |
| 2000 | 7,1rotation | 6,8rotation | ---- |
| 2125 | 7,6rotation | 7,3rotation | ---- |
| 2250 | 8,0rotation | 7,7rotation | ---- |
| 2375 | 8,4rotation | 8,7rotation | ---- |
| 2500 | 8,5rotation | 9,2rotation | ---- |
| 2750 | ---- | 9,4rotation | ---- |
| 3000 | ---- | 10,3rotation | ---- |

loose spring - markers in a line

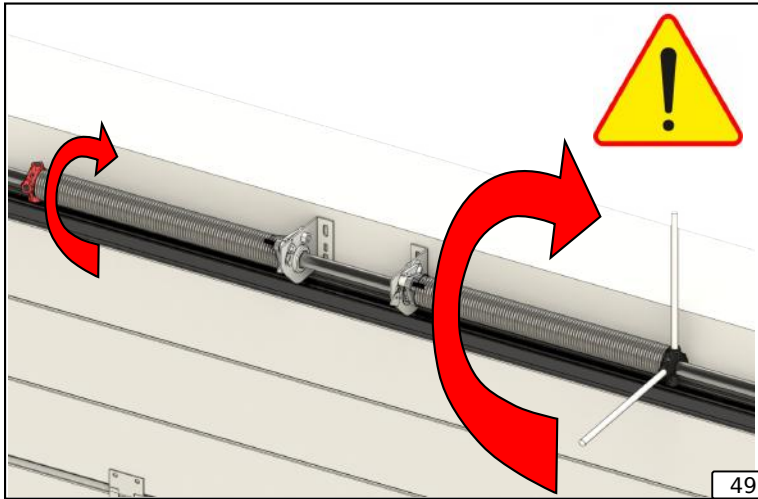


torsion spring - markers show the number of turns

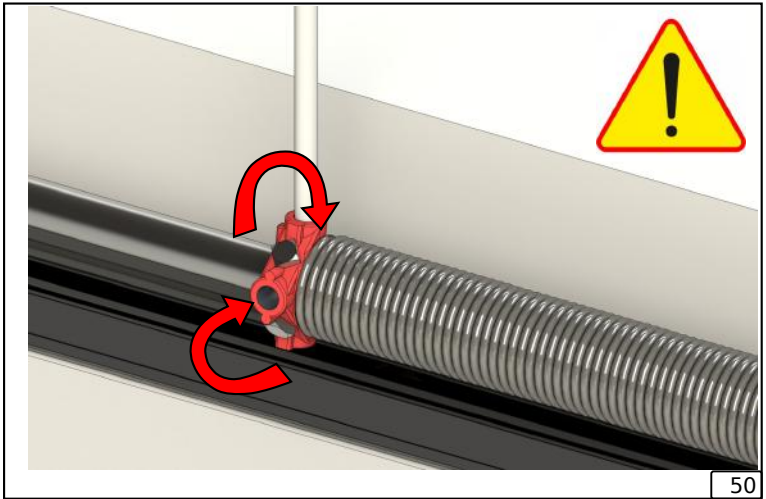


example 8 turns

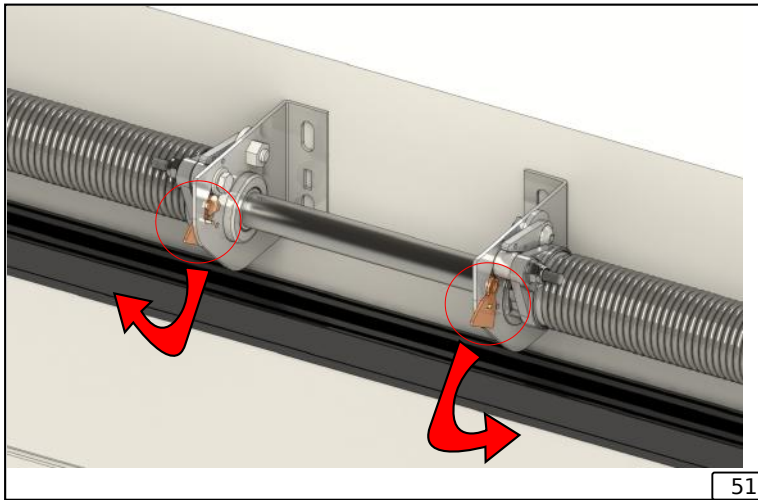
48



49



50



51

Nazwa lub znak identyfikacyjny i zarejestrowany adres producenta

Ostatnie dwie cyfry roku, w którym oznakowanie zostało umieszczone

EN 13241-1
Numer normy europejskiej

Opis wyrobu i zamierzone zastosowanie
Numer identyfikacyjny

| | |
|--------------------------------|--------------------|
| Wodoszczelność | [klasa techniczna] |
| Oporność na obciążenie wiatrem | [klasa techniczna] |
| Opór cieplny | [wartość] |
| Przepuszczalność powietrza | [klasa techniczna] |

Informacje o wymaganych właściwościach wyrobu

CE

Oznakowanie zgodności CE symbolem CE
Określonym w dyrektywie 93/68/EWG

89/106/WE; 98/37/WE; 89/336/WE
Powołanie odpowiednich dyrektyw

