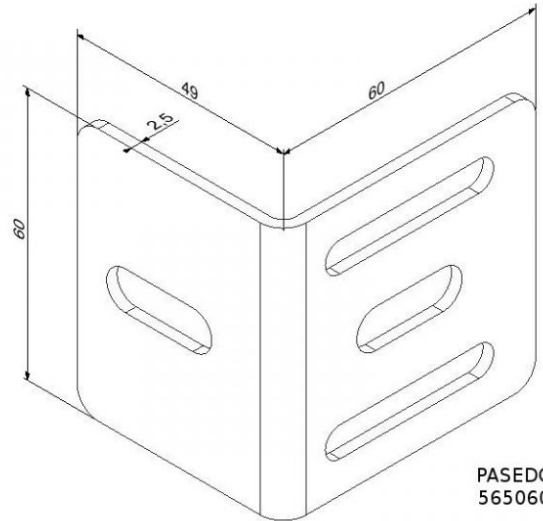


## Mounting bracket 565060

<b>Material:</b>	galvanized steel
<b>Unit:</b>	pc
<b>Packing:</b>	250 pcs
<b>Weight:</b>	0,12 kg
<b>Thickness [mm]:</b>	2,5 mm
<b>Description:</b>	Used in connection of mounting profiles of 1648,1650 with tracks.



PASEDO  
565060