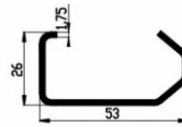
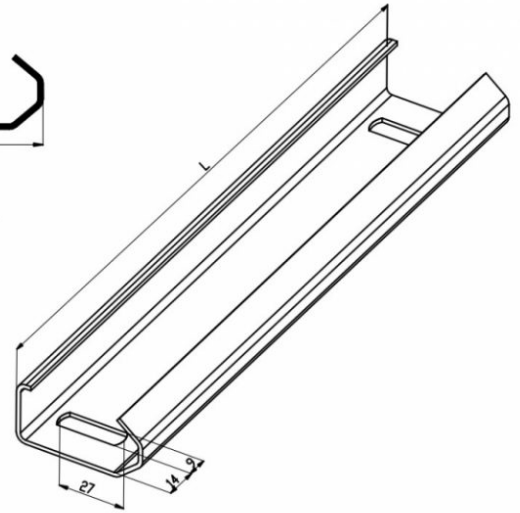


Vertical track 1,75 mm industrial closed

Material: galvanized steel
Unit: pc
Packing: 50 pc
Dimensions: 53 mm x 26 mm x L
Thickness [mm]: 1,75 mm
Description: Track for rollers in industrial doors. Including 9x27mm mounting holes



PASEDO
1020C



Symbol:	Length L [mm]:	Weight [kg]:
10203000C	3000	4,11
10203500C	3500	4,79
10203750C	3750	5,13
10204000C	4000	5,48
10204500C	4500	6,16
10205000C	5000	6,85
10205500C	5500	7,53
10206000C	6000	8,22
10206500C	6500	8,90