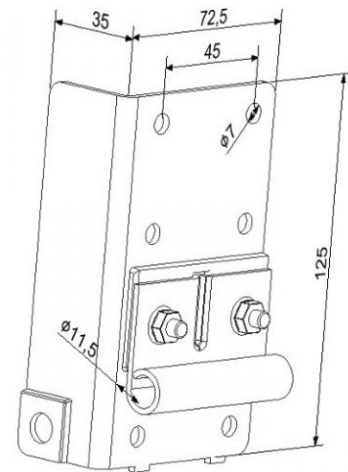


## Bottom bracket 4407

<b>Material:</b>	galvanized steel
<b>Unit:</b>	pair
<b>Packing:</b>	25 pairs
<b>Weight:</b>	0,70 kg
<b>Thickness [mm]:</b>	2,3 mm
<b>Description:</b>	Used with a roller shaft 11mm, for RK70 system.



PASEDO  
4407