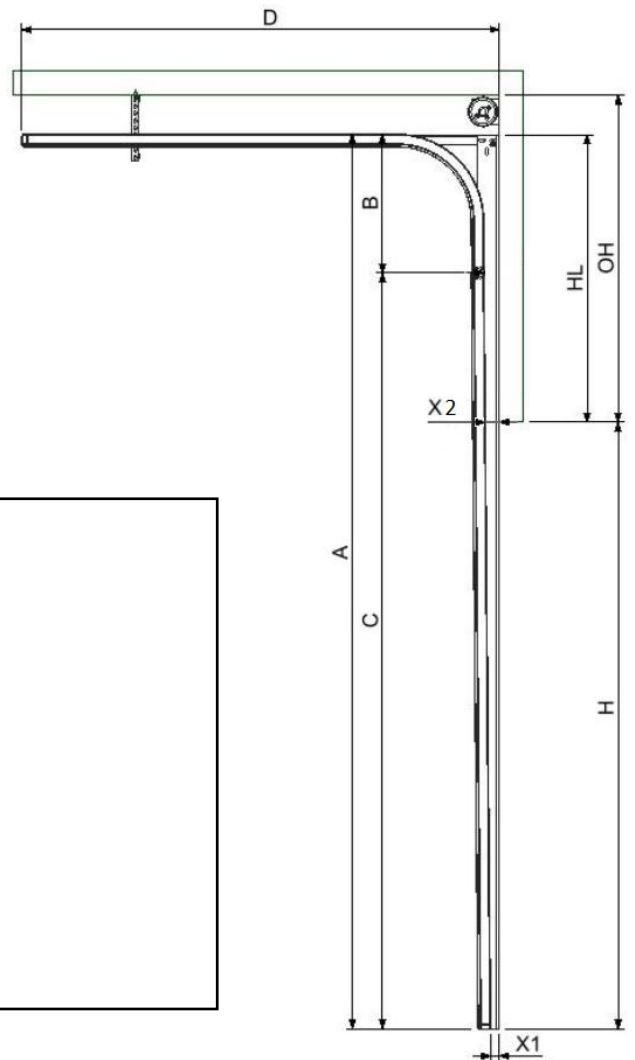


**SYSTEM HL – NAPĘD GÓRNY**



A	H+HL mm	
B	643mm R383 92°	
C	A-B mm	
Dmin	(H-HL)+700mm	
X1	42mm	
X2	105mm	
OH	HL + 220mm	(4072 HL)
OH	HL + 250mm	(4099 HL, 40101 HL)
OH	HL + 280mm	(40101 HL)
OH	HL + 320mm	(40156 HL)

	4072 HL	4099 HL	40101 HL	40156 HL
	72mm	98mm	93mm	152mm
	145mm	185mm	236mm	280mm
	25.5mm	25.5mm	25.5mm	25.5mm
	max HL 1600mm	max HL 1690mm	max HL 3240mm	max HL 5800mm
	D 3290mm	D 4680mm	D 3860mm	D 5800mm
	max H 4890mm	max H 6370mm	max H 7100mm	max H 11600mm
	max HL 1370mm	max HL 1410mm	max HL 2890mm	max HL 5400mm
	D 3290mm	D 4680mm	D 3860mm	D 5800mm
	max H 4660mm	max H 6090mm	max H 6750mm	max H 11200mm
	max HL 720mm	max HL 590mm	max HL 1840mm	max HL 4100mm
	D 3290mm	D 4680mm	D 3860mm	D 5800mm
	max H 4010mm	max H 5270mm	max H 5700mm	max H 9900mm