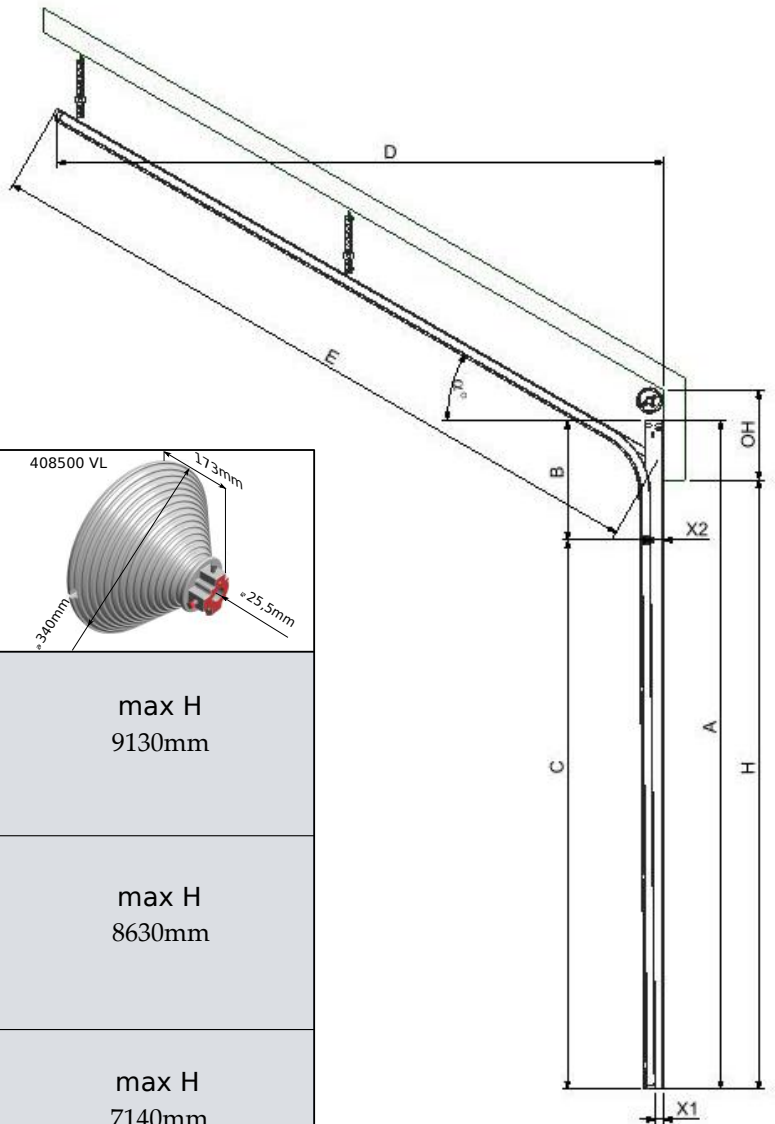
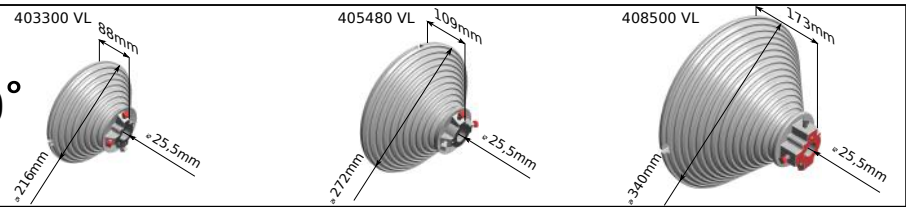


SYSTEM STROPOWY SR

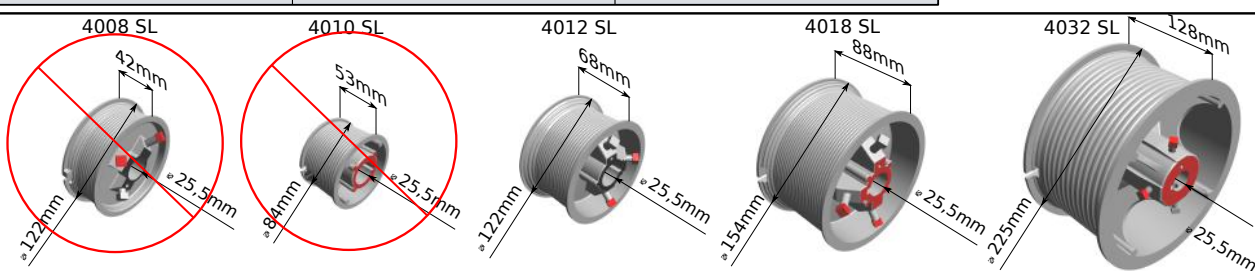
A	H+250 mm
B	643mm R383 92°
C	A-B mm
D	(H+700mm) * cos α°
E	D / cos α°
X1	42mm
X2	70mm
OH	435mm (4012, 4018)
OH	515mm (4032)



$\alpha > 40^\circ$



	max H 3810mm	max H 6180mm	max H 9130mm
	max H 3490mm	max H 5760mm	max H 8630mm
	max H 2550mm	max H 4540mm	max H 7140mm



	max H 2680mm	max H 3100mm	max H 4000mm	max H 5810mm	max H 11670mm
	max H 2500mm	max H 2980mm	max H 3830mm	max H 5590mm	max H 11330mm
	max H 1960mm	max H 2600mm	max H 3300mm	max H 4900mm	max H 10290mm