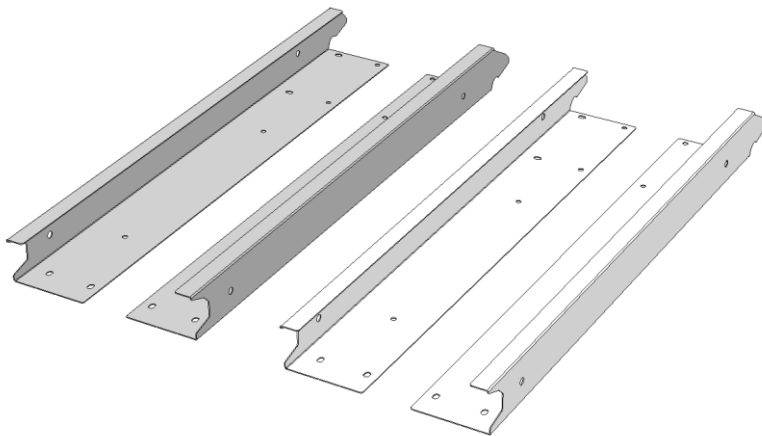




PASEDO
Garage door components

Components dedicated to EPCO panels

1. End caps

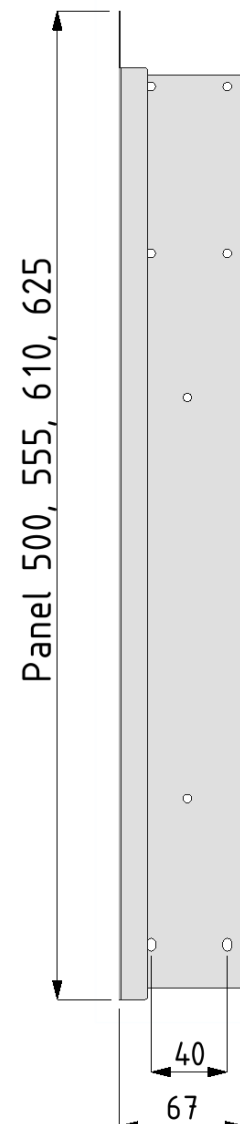


Galvanized steel:

Symbol	Panel height	Type
450760500L-EP	500mm	left
450760500R-EP	500mm	right
450760555L-EP	555mm	left
450760555R-EP	555mm	right
450760610L-EP	610mm	left
450760610R-EP	610mm	right
450760625L-EP	625mm	left
450760625R-EP	625mm	right

Powdercoated RAL 9016:

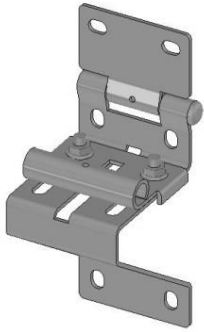
Symbol	Panel height	Type
450760500L-9016-EP	500mm	left
450760500R-9016-EP	500mm	right
450760555L-9016-EP	555mm	left
450760555R-9016-EP	555mm	right
450760610L-9016-EP	610mm	left
450760610R-9016-EP	610mm	right
450760625L-9016-EP	625mm	left
450760625R-9016-EP	625mm	right



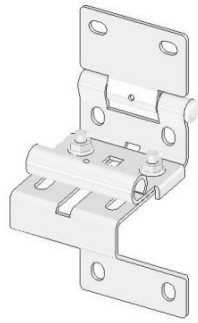
Available for panels 500, 555,
610, 625

Available in galvanized steel
and powdercoated RAL 9016

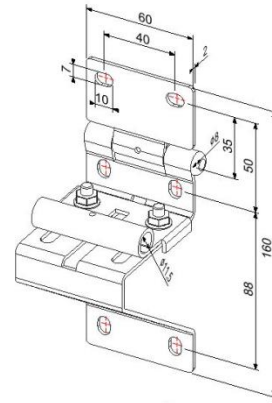
2. Hinges



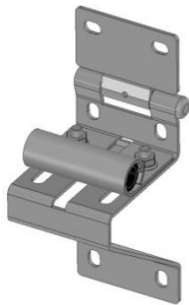
42206035



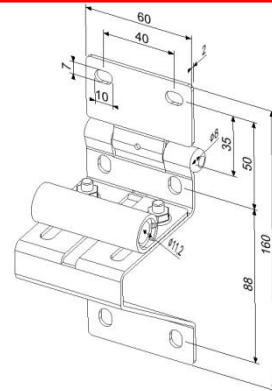
42206035-9016



Available in galvanized steel and powdercoated RAL 9016



42206035Q



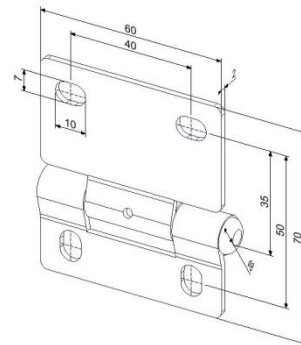
Available in galvanized steel – with a quiet roller bracket



42206035M



42206035M-9016



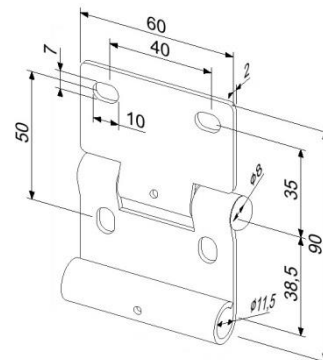
Available in galvanized steel and powdercoated RAL 9016



42206035DBL

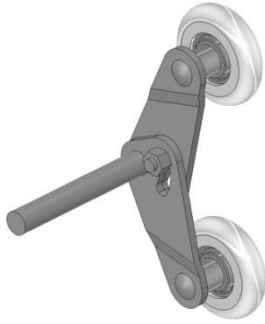


42206035DBL-9016

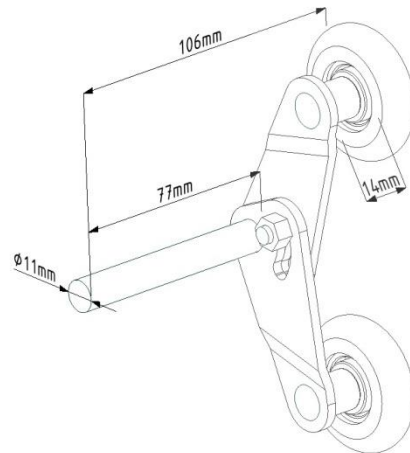


Available in galvanized steel and powdercoated RAL 9016

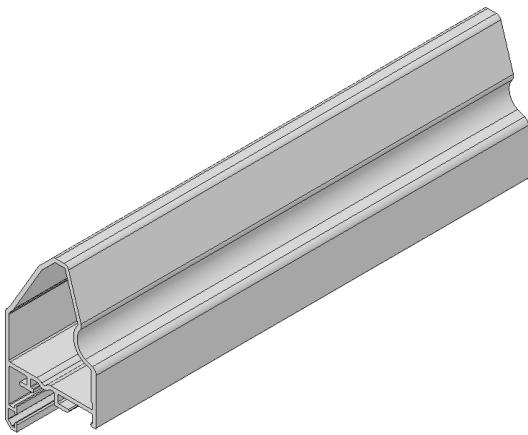
3. Double roller to flat hinge



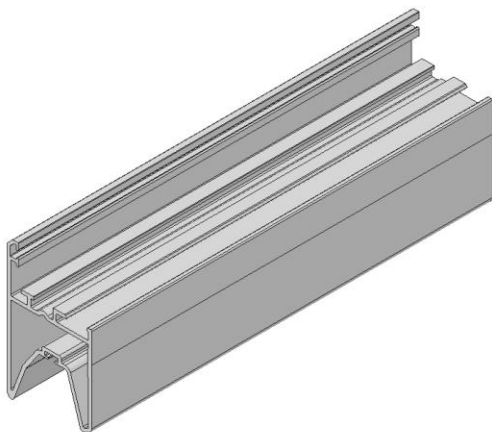
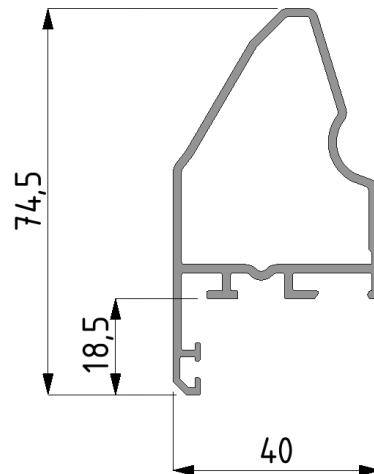
54DBL



4. Aluminium profiles to glazed sections for EPCO panel



22G7200-EP



22D7200-EP

