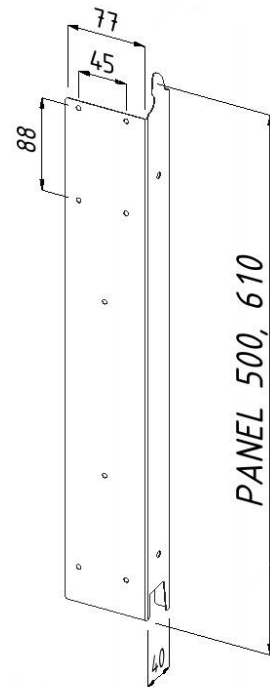
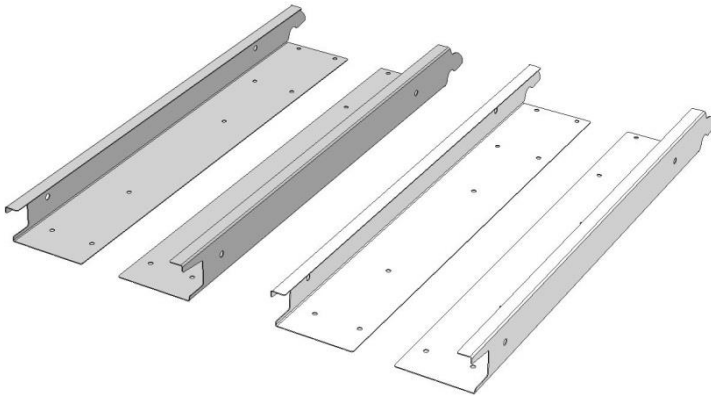




PASEDO
Garage door components

Components dedicated to ThyssenKrupp panels

1. End caps



Galvanized steel:

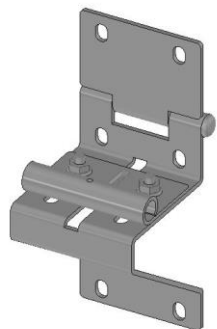
Symbol	Panel height	Type
450770500L-TH	500mm	left
450770500R-TH	500mm	right
450770610L-TH	610mm	left
450770610R-TH	610mm	right

Powdercoated RAL 9016:

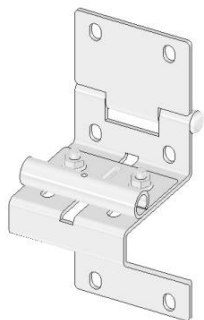
Symbol	Panel height	Type
450770500L-9016-TH	500mm	left
450770500R-9016-TH	500mm	right
450770610L-9016-TH	610mm	left
450770610R-9016-TH	610mm	right

2. Hinges

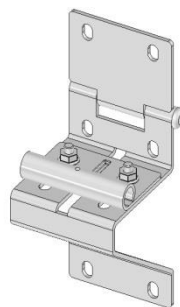
- side hinges



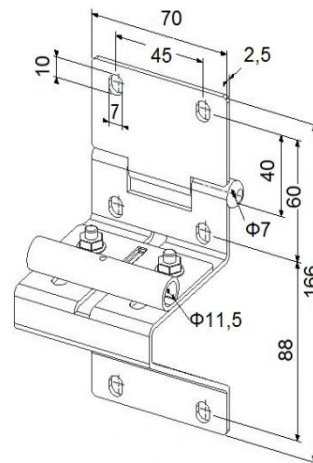
42257044M
galvanized steel



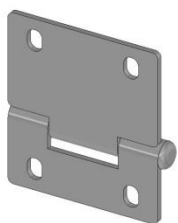
42257044M -9016
powdercoated - RAL 9016



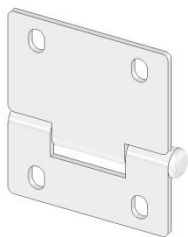
42207044M-INOX
stainless steel



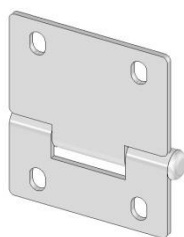
- middle hinges



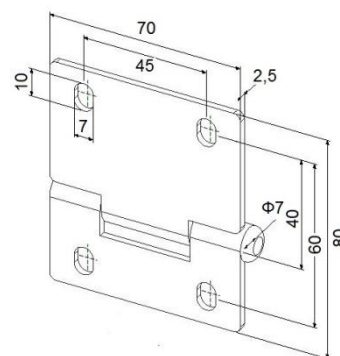
42257044M
galvanized steel



42257044M -9016
powdercoated - RAL 9016

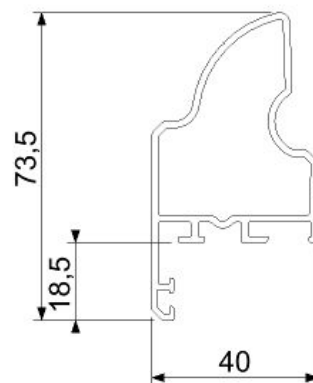
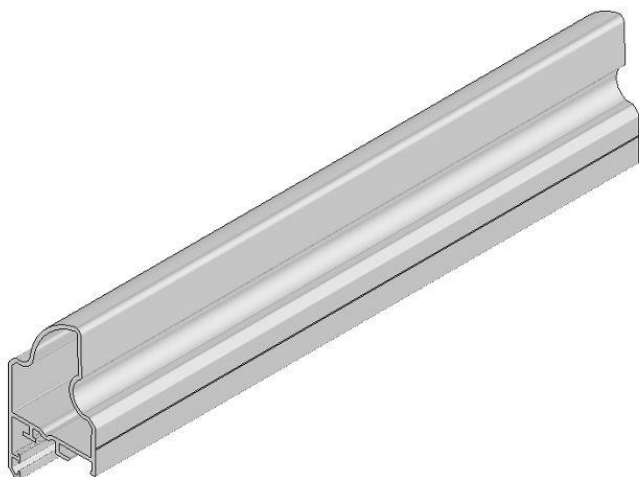


42207044M-INOX
stainless steel



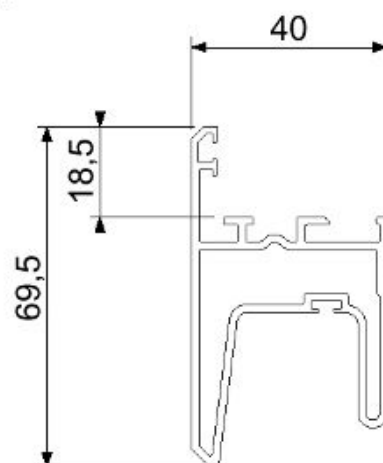
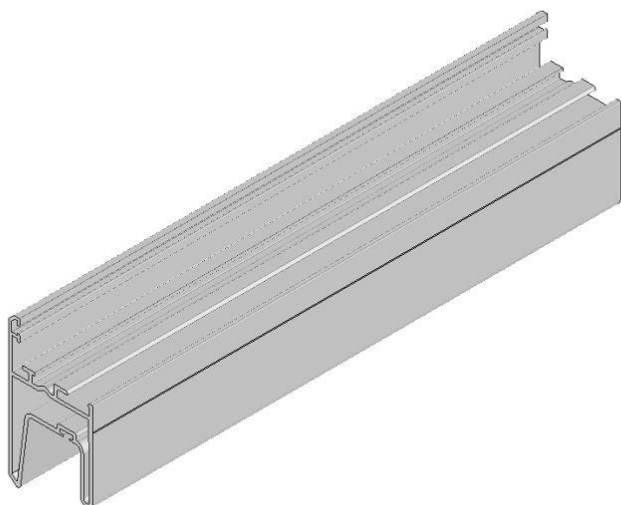
3. Aluminium profiles to glazed sections for ThyssenKrupp panel

- top profile



22G7200-TH
anodized aluminium

- bottom profile



22D7200-TH
anodized aluminium
