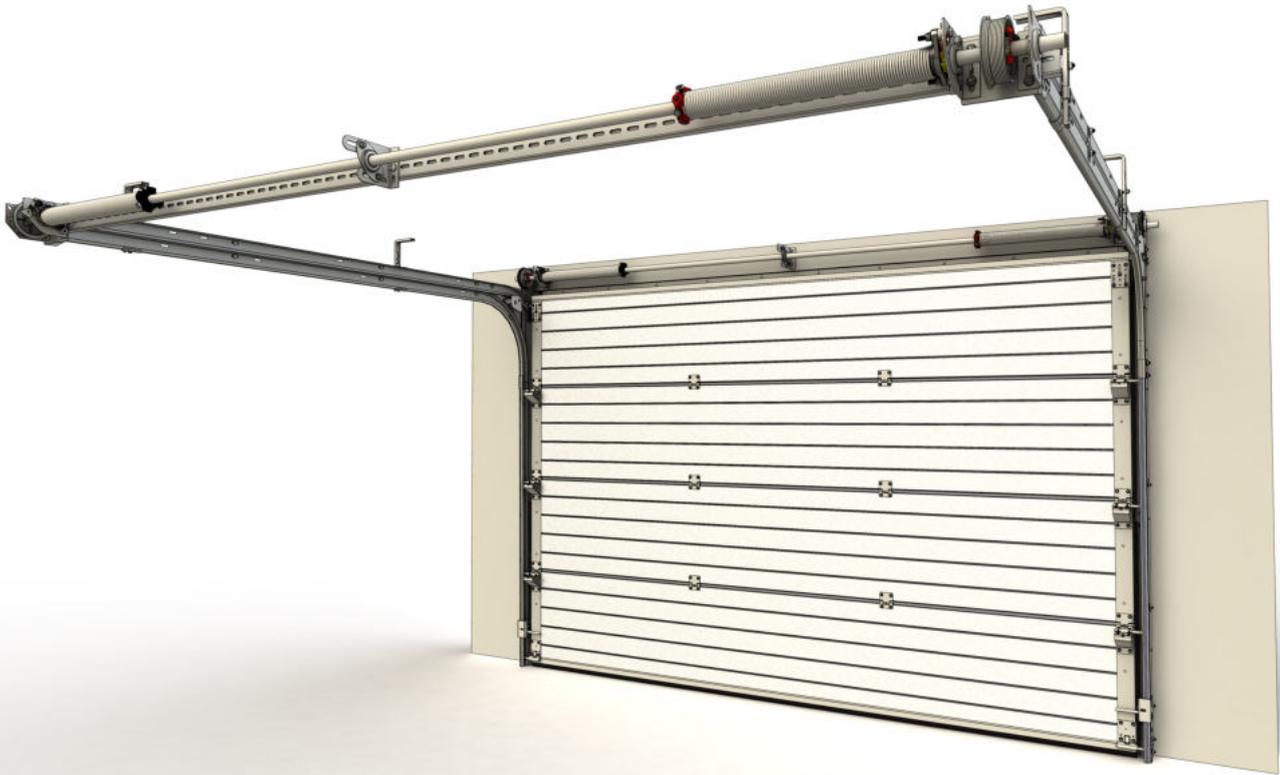


3 in 1

UNIVERSAL SYSTEM

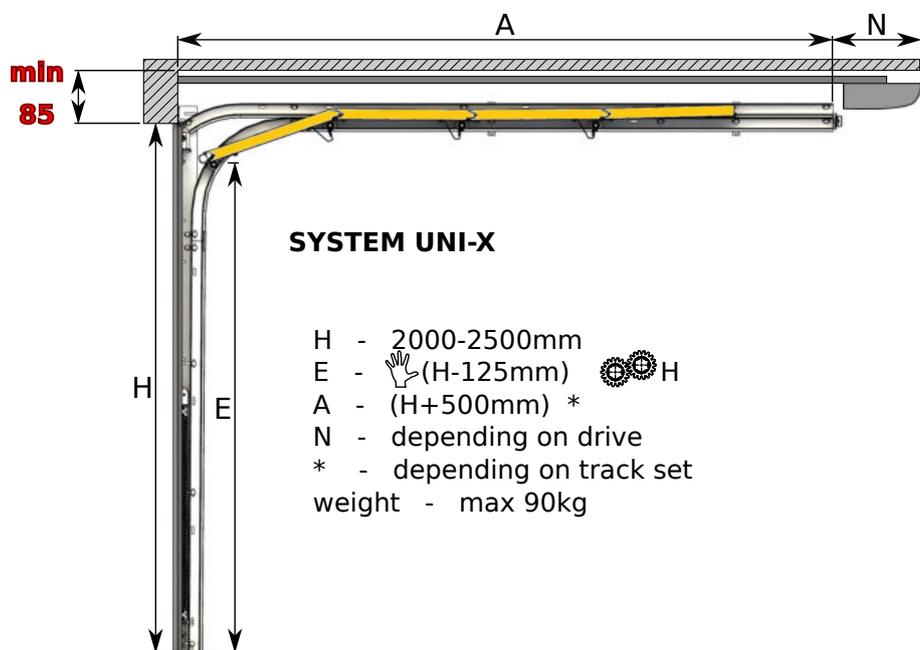
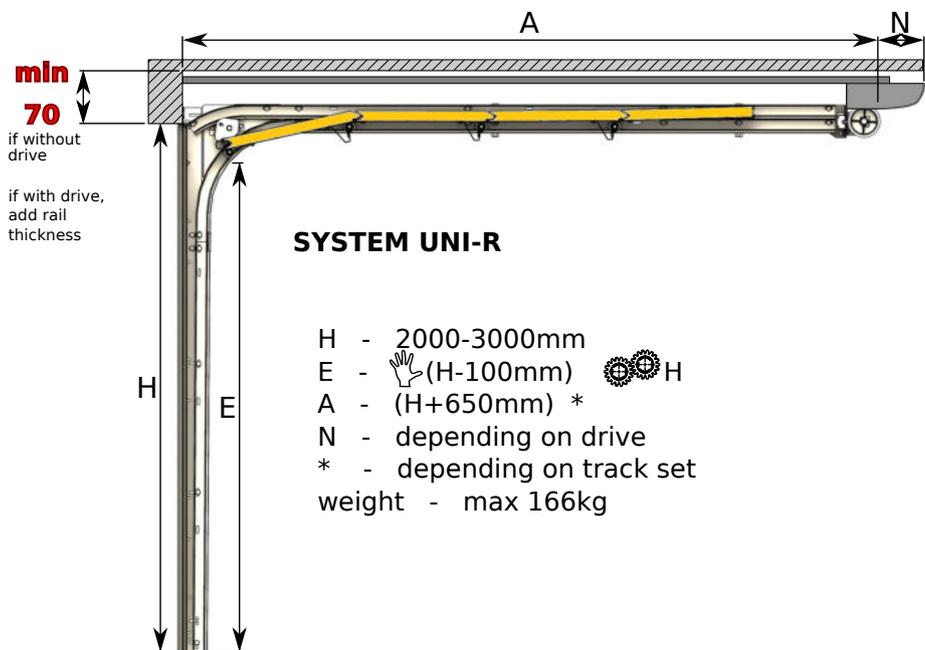
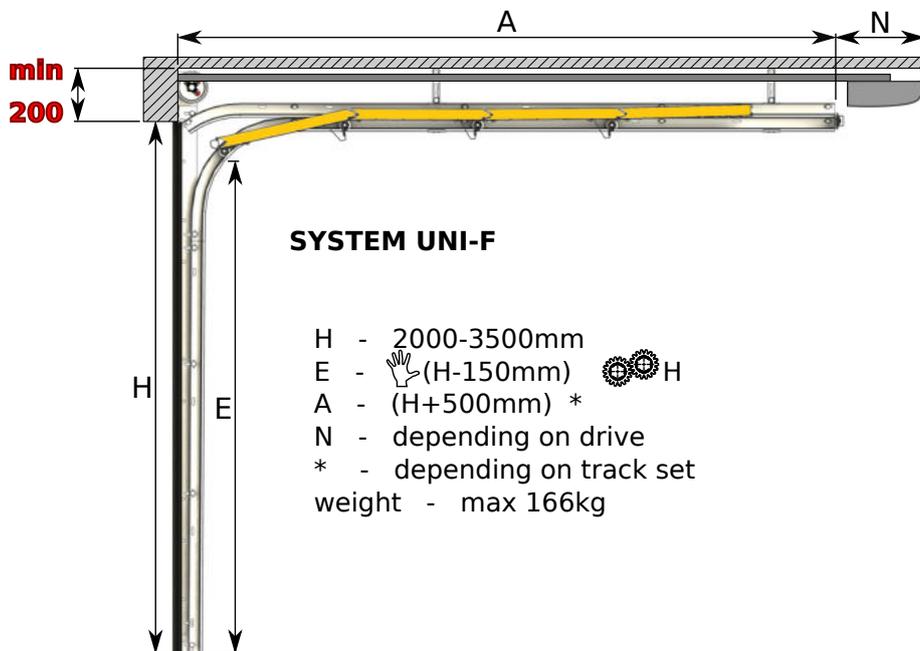


TORSION SPRINGS FRONT UNI-F

TORSION SPRINGS REAR UNI-R

TENSION SPRINGS UNI-X

TENSION SPRINGS PRE-TENSION



UNI-F



1-48,96-119

UNI-R

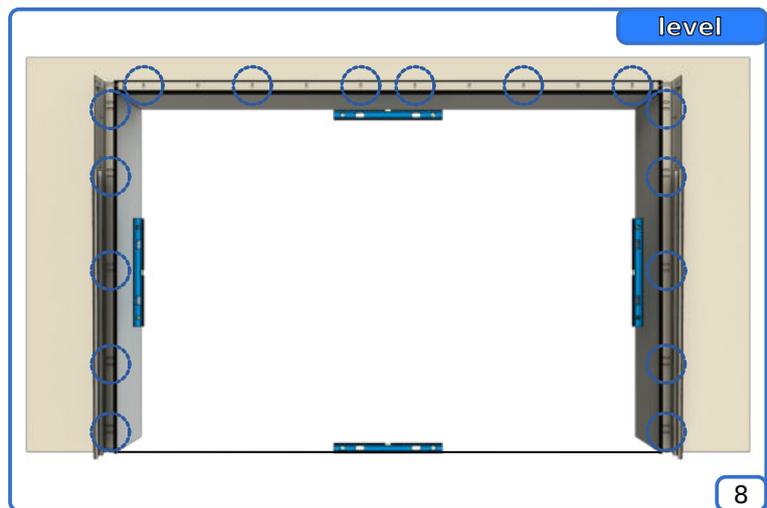
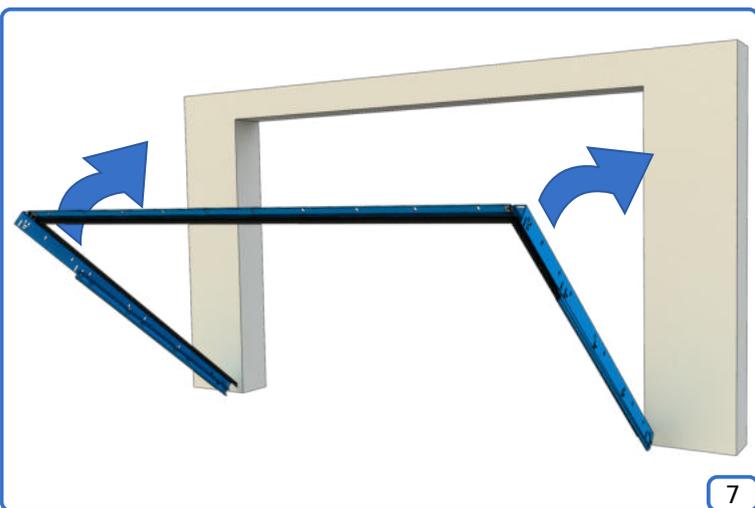
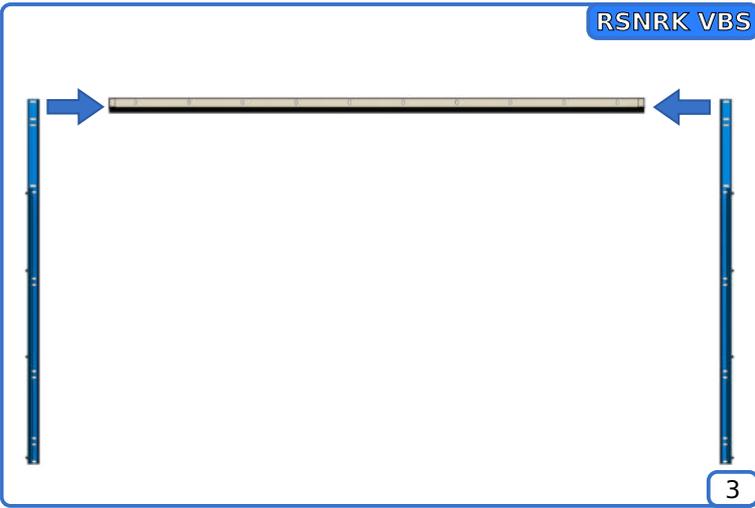
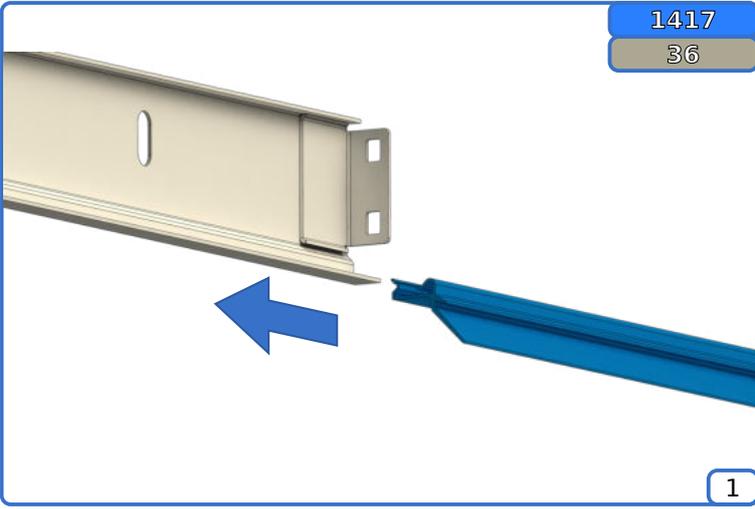


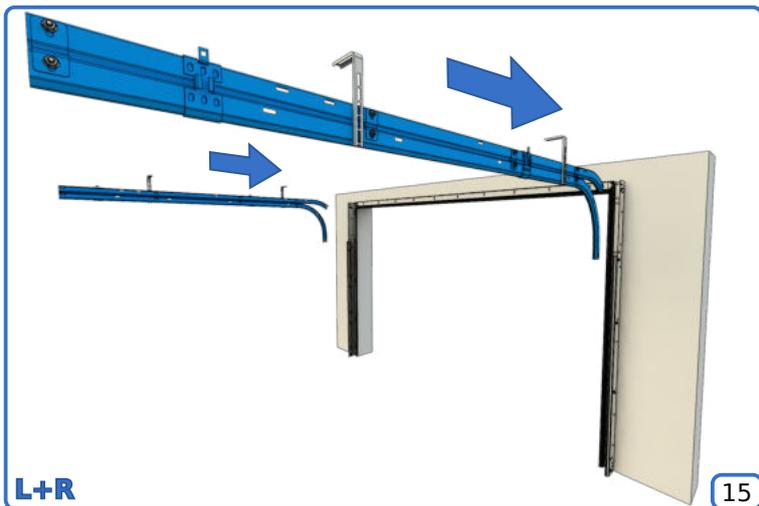
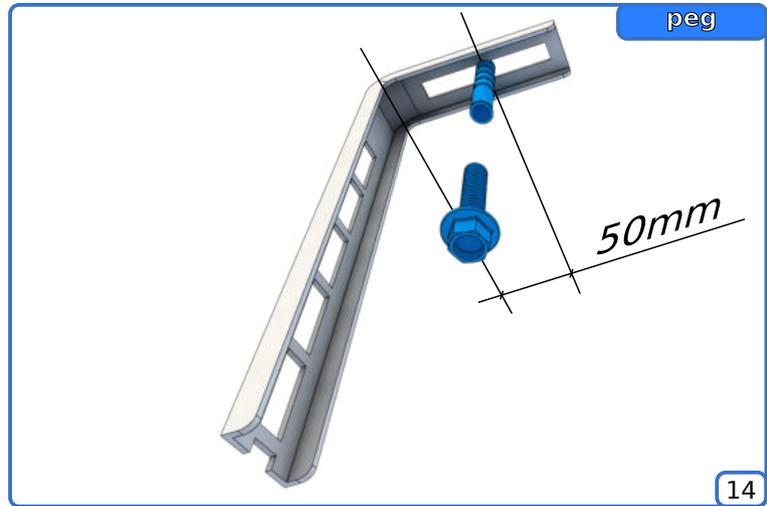
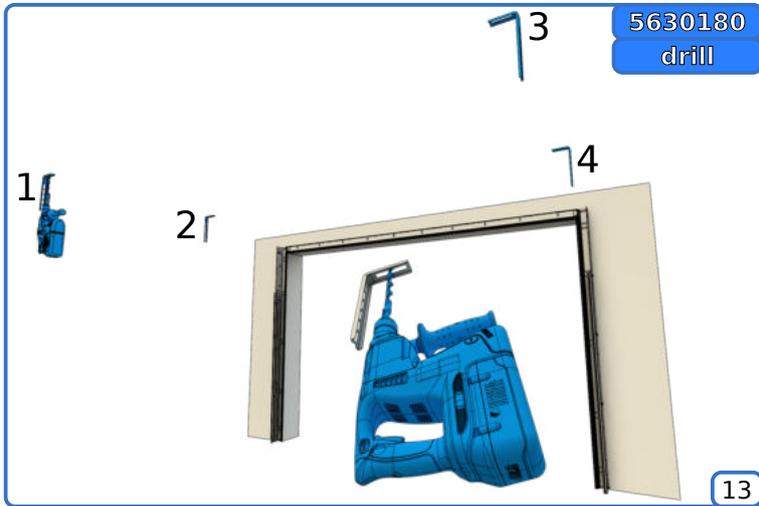
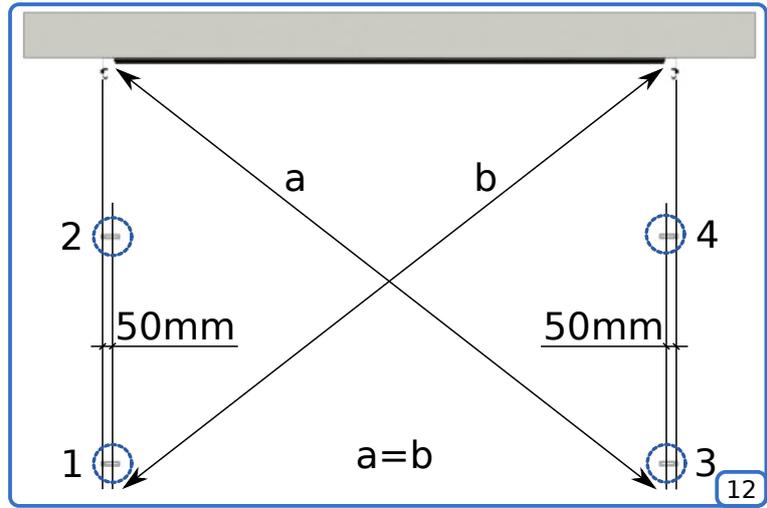
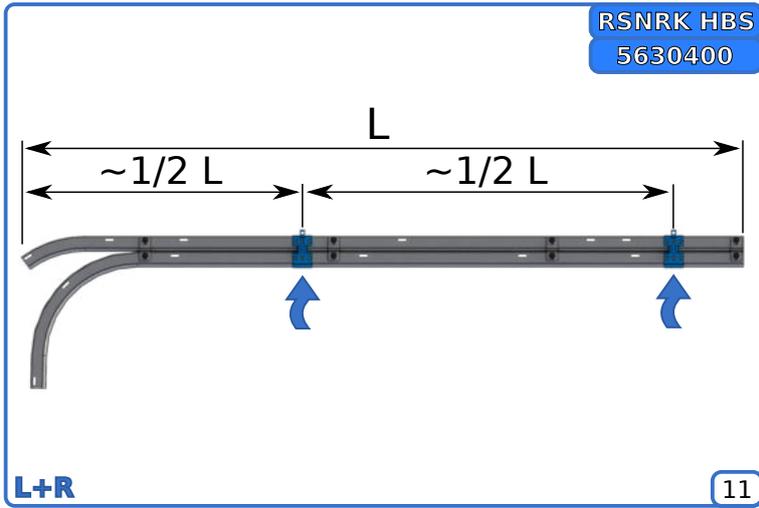
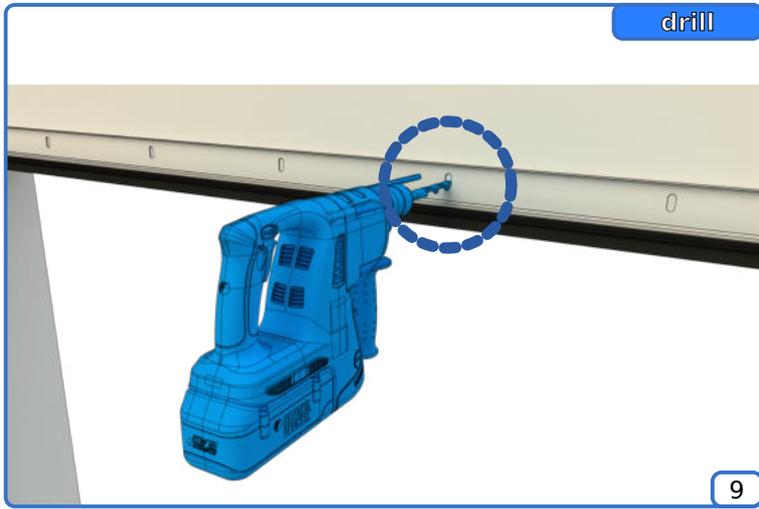
1-24,49-76,96-119

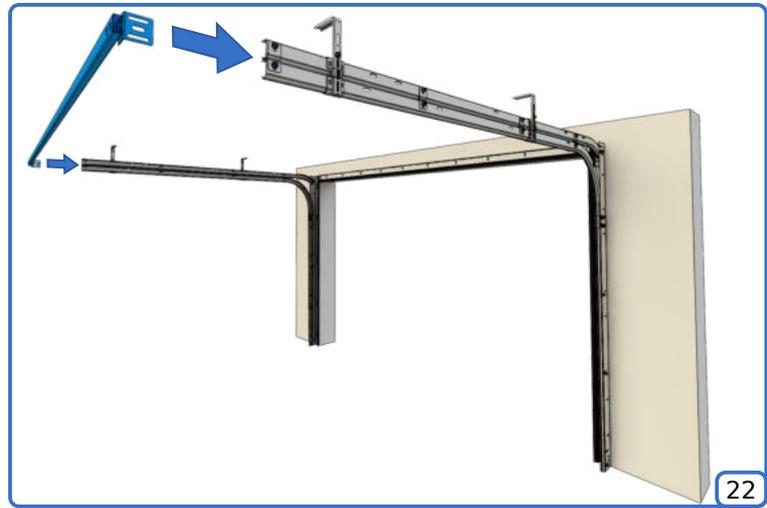
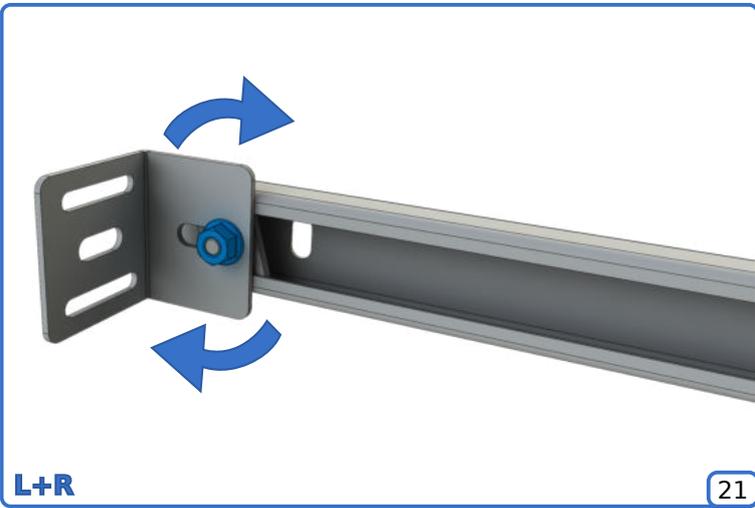
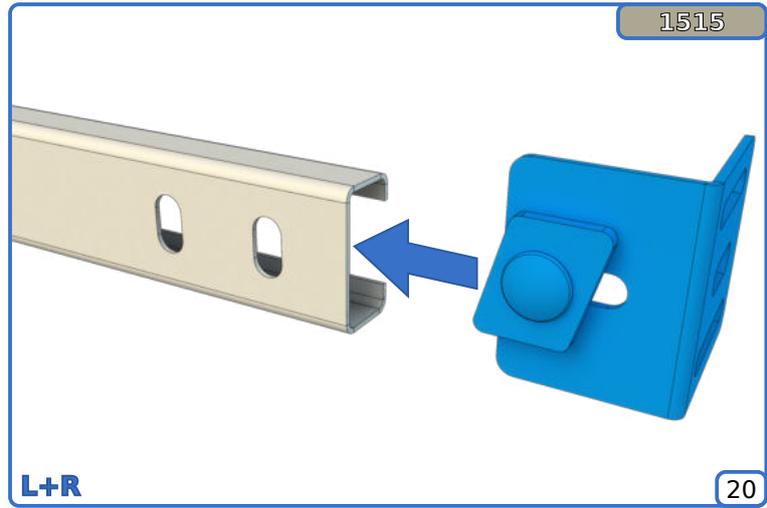
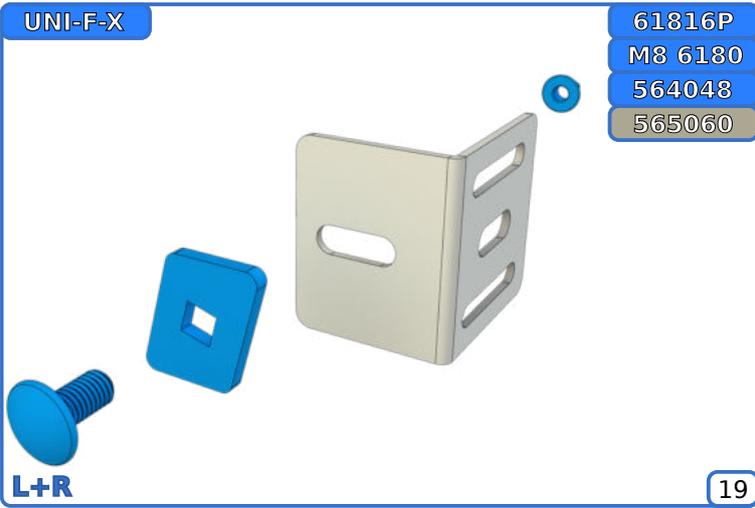
UNI-X



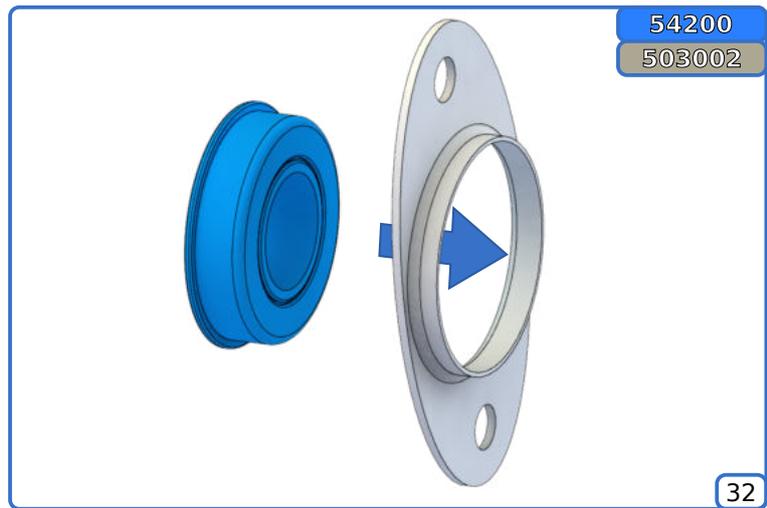
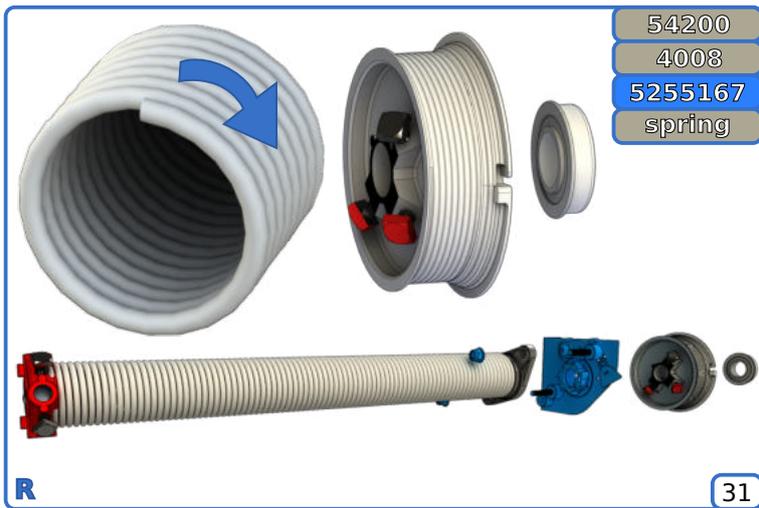
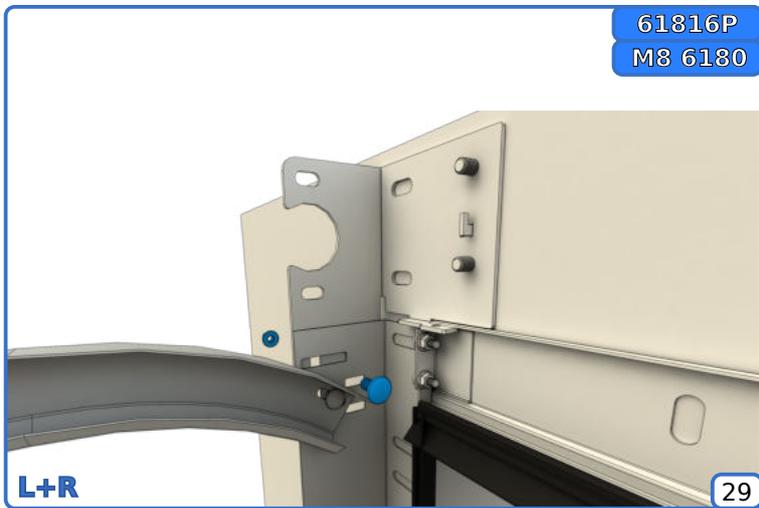
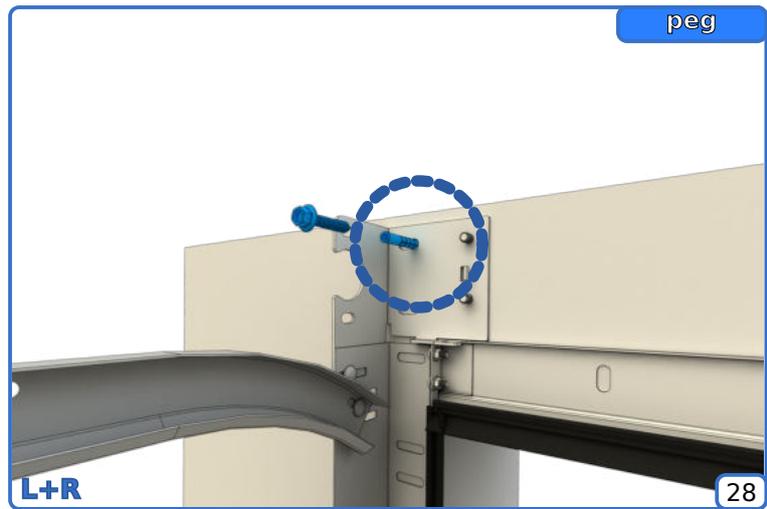
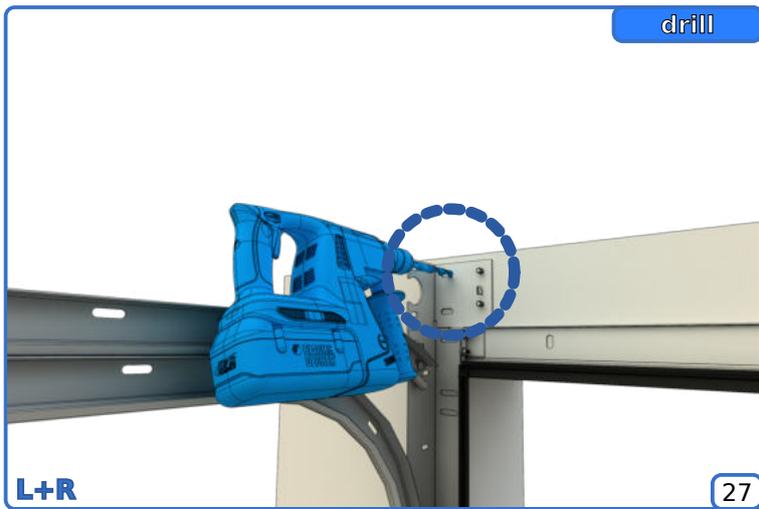
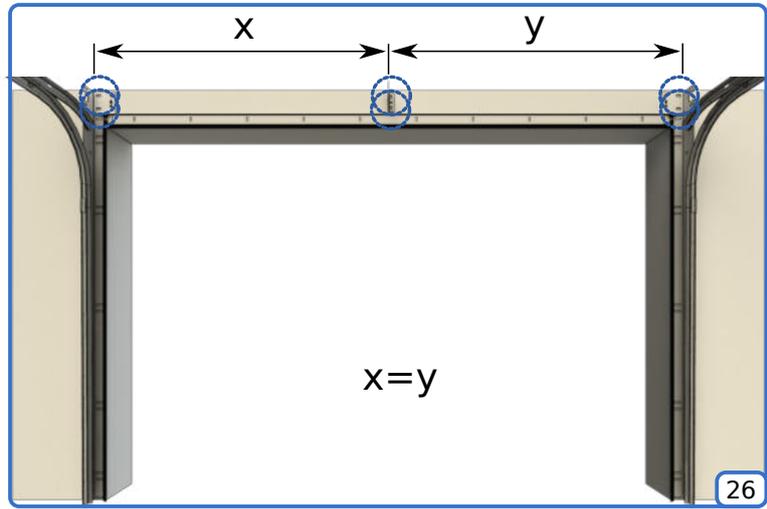
1-24,77-95,96-119



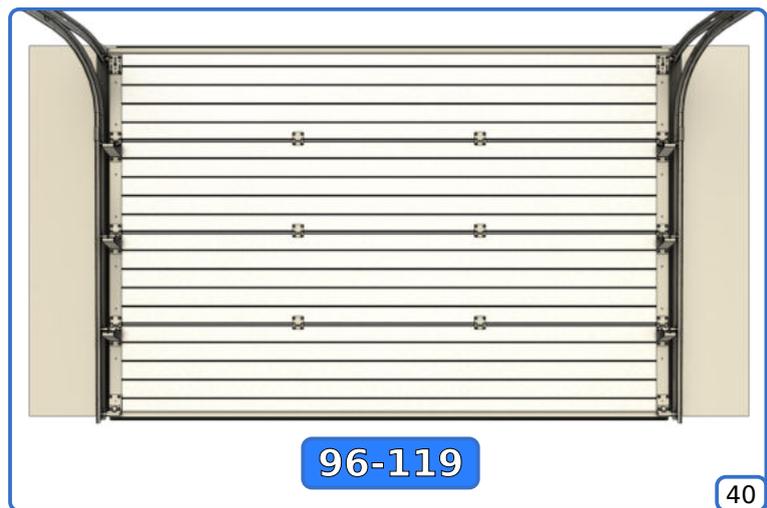
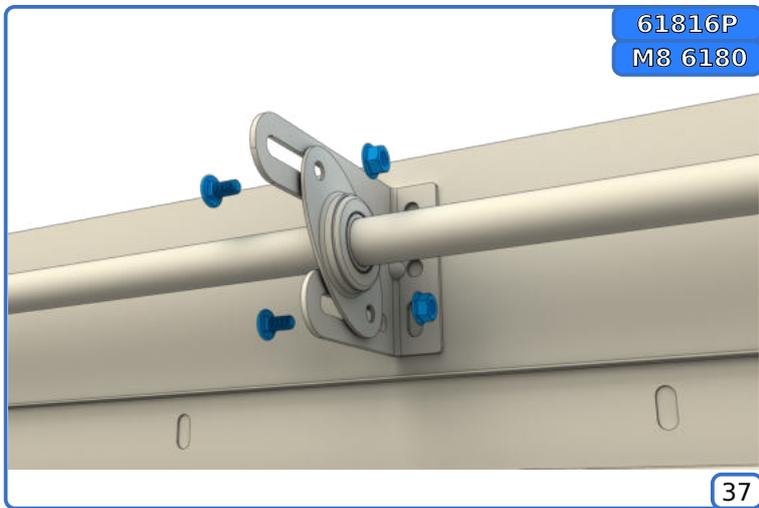
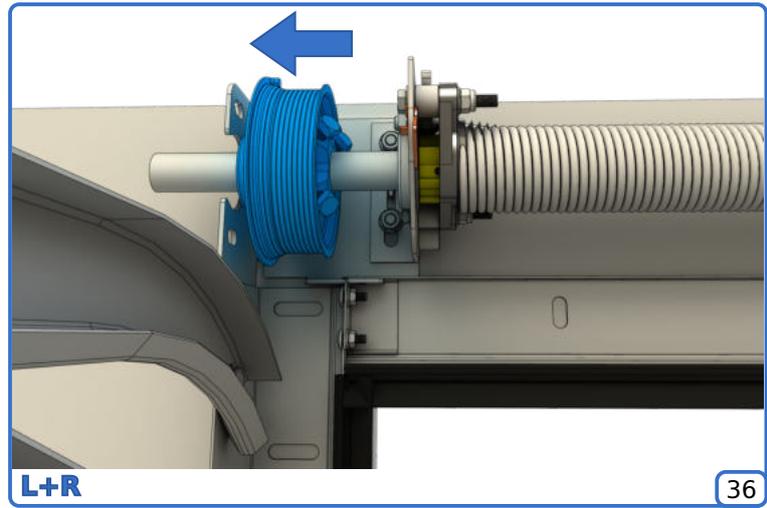
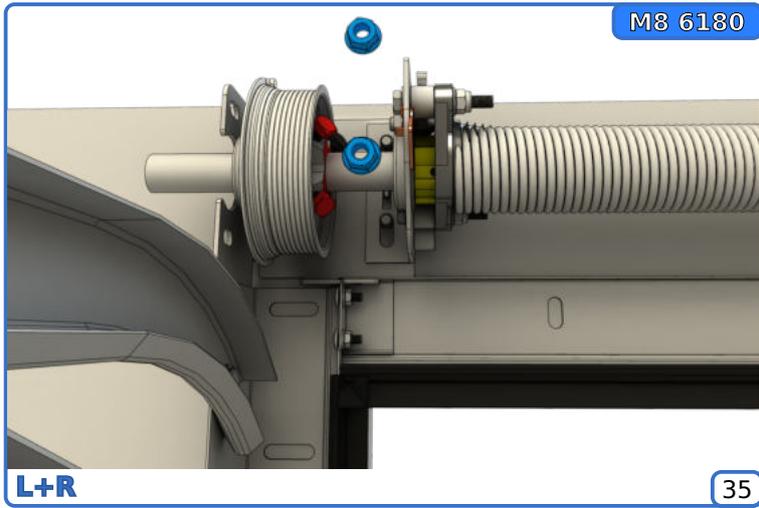
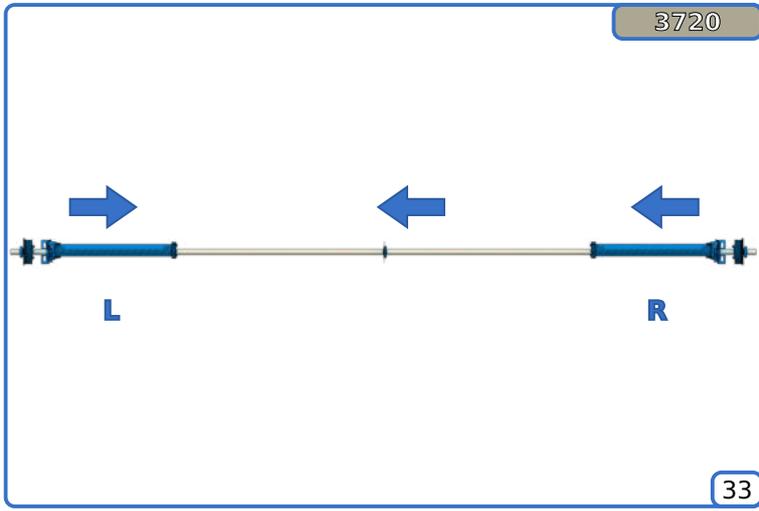




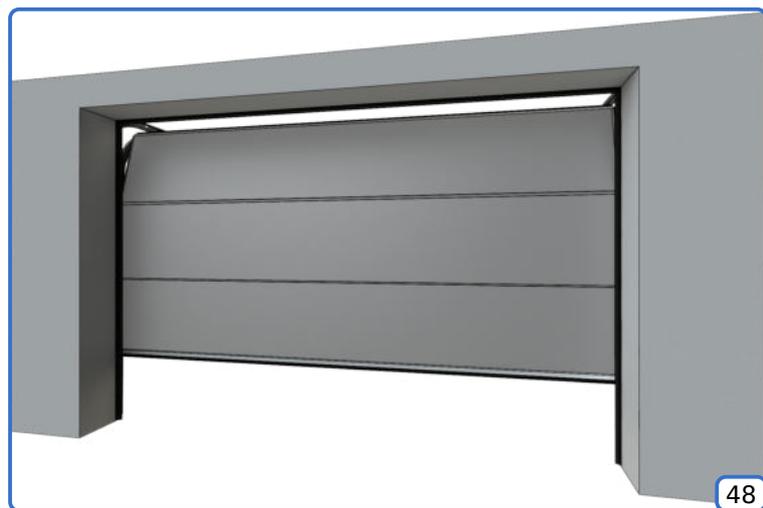
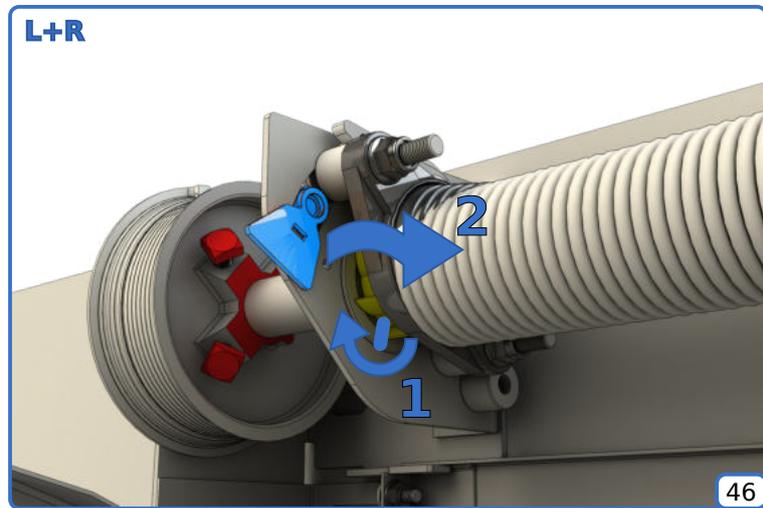
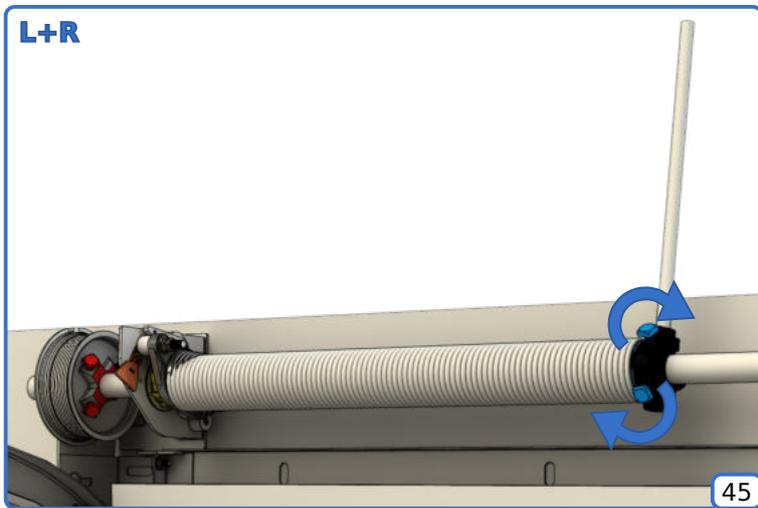
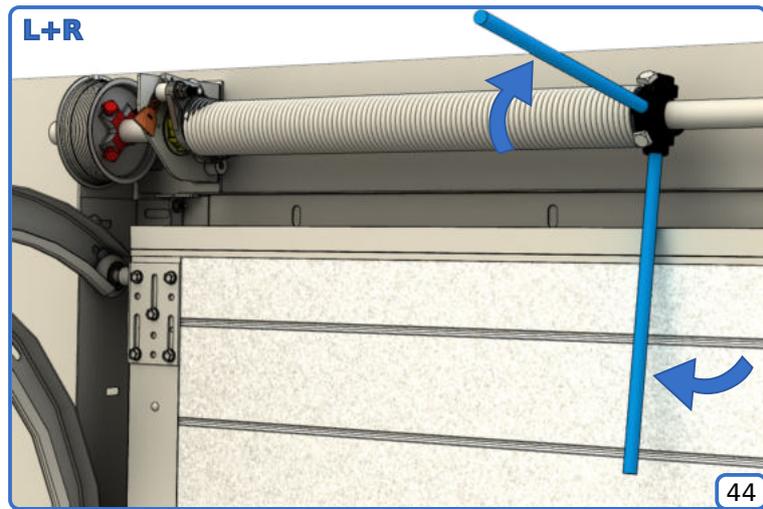
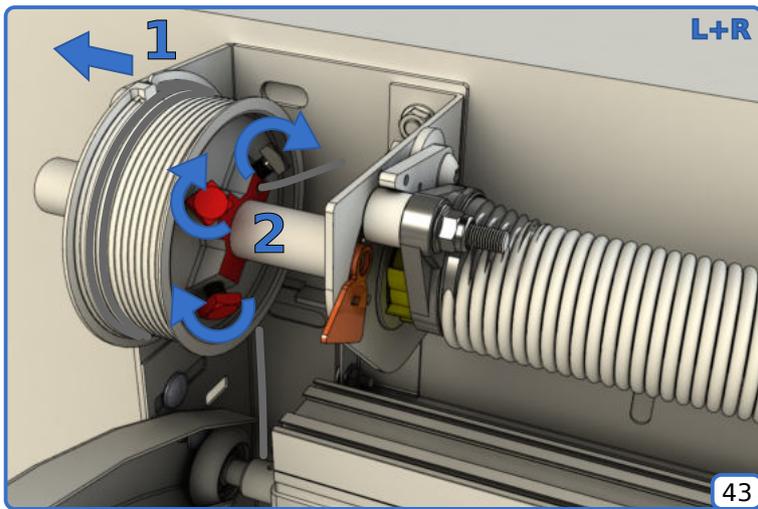
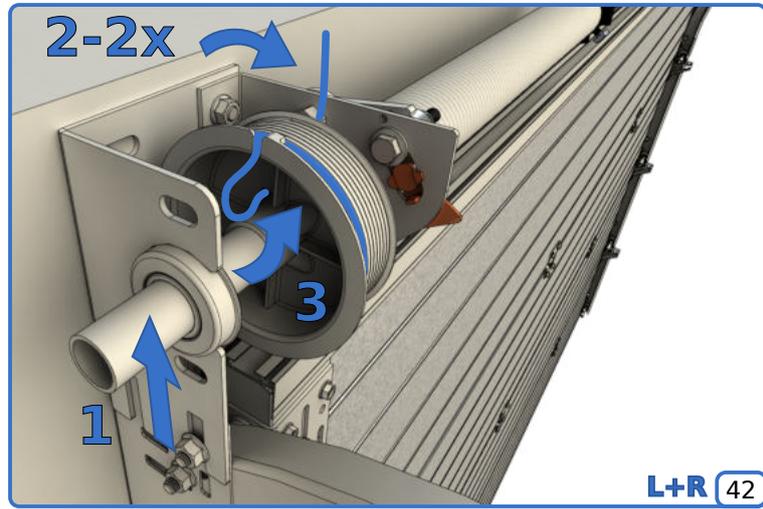
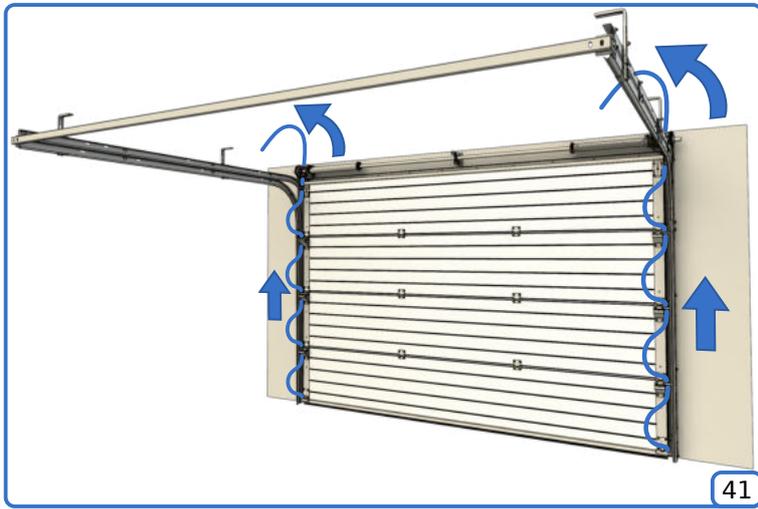
UNI-F



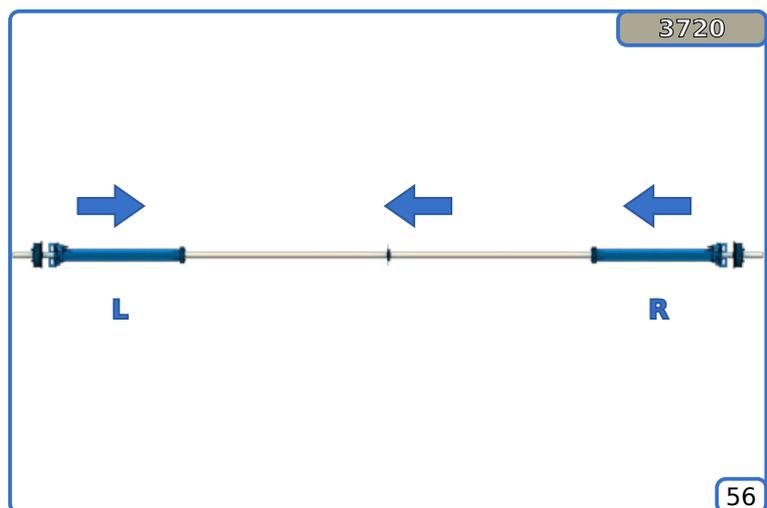
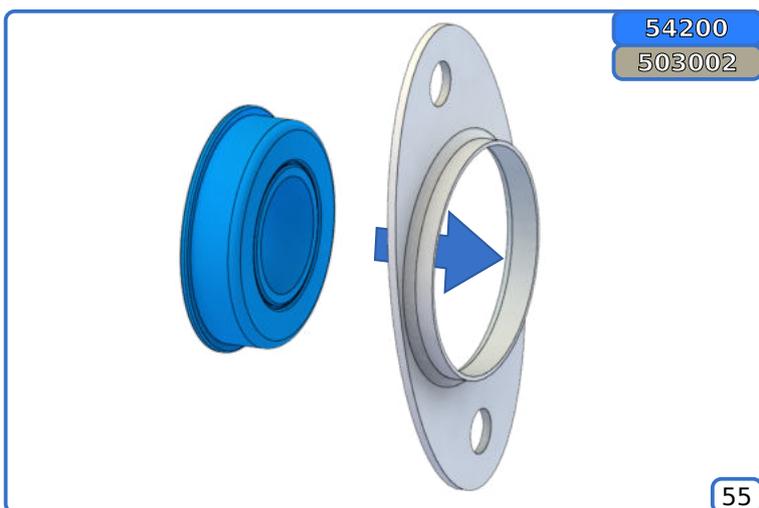
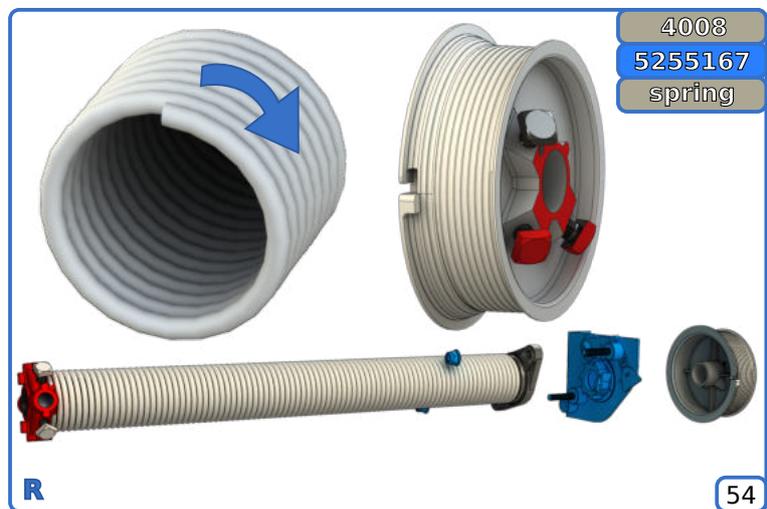
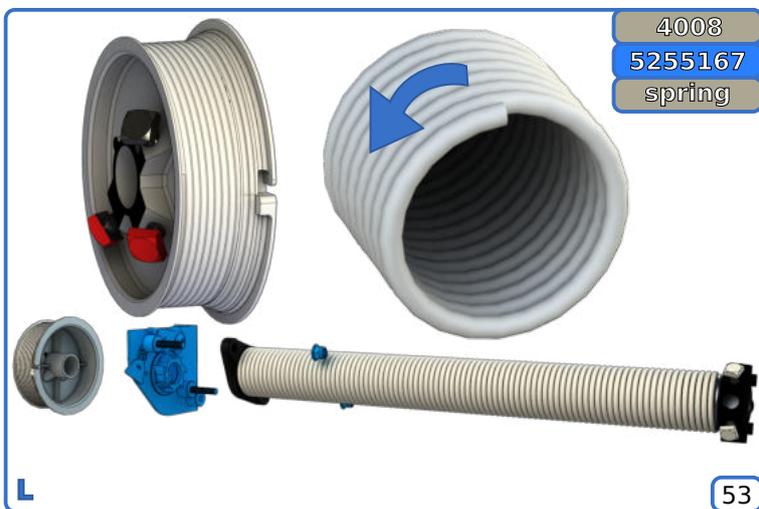
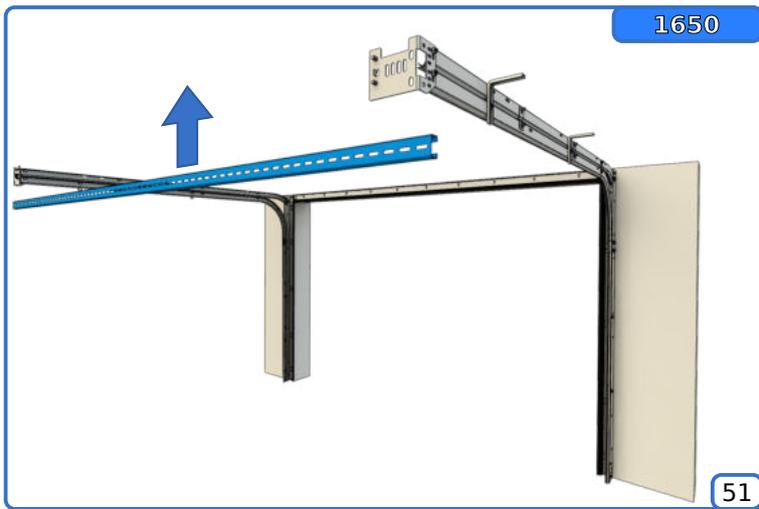
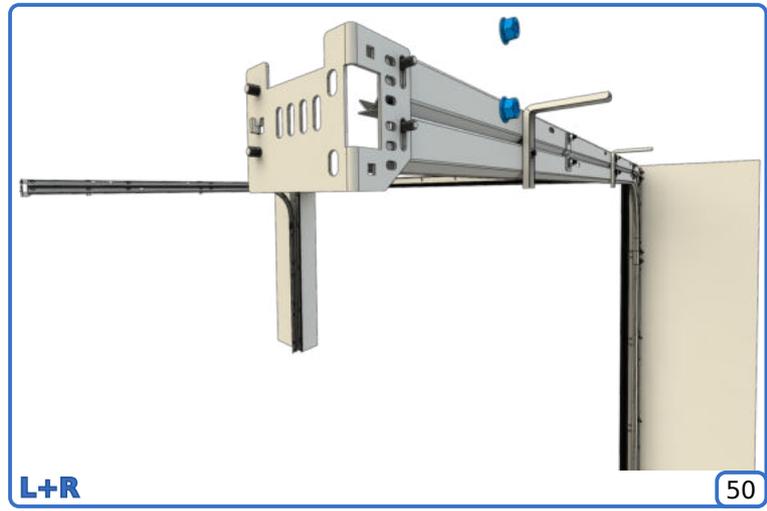
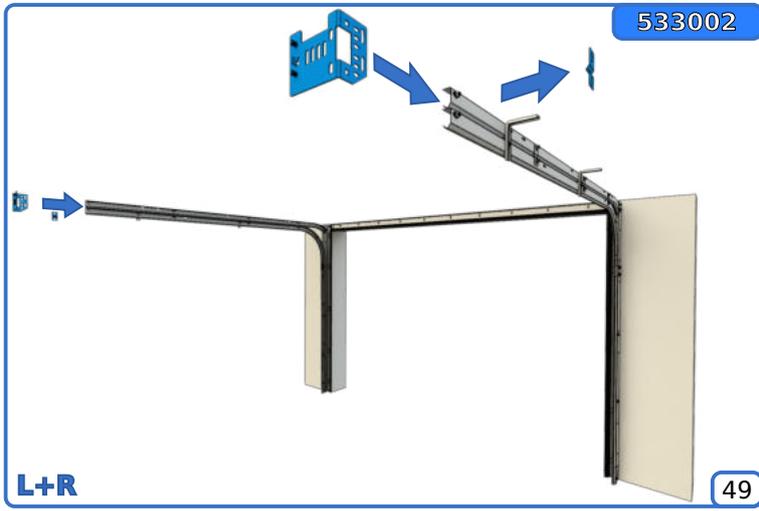
UNI-F



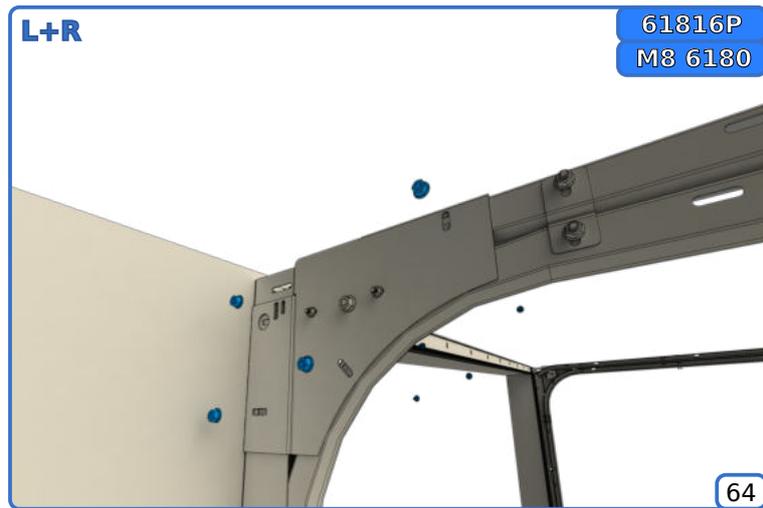
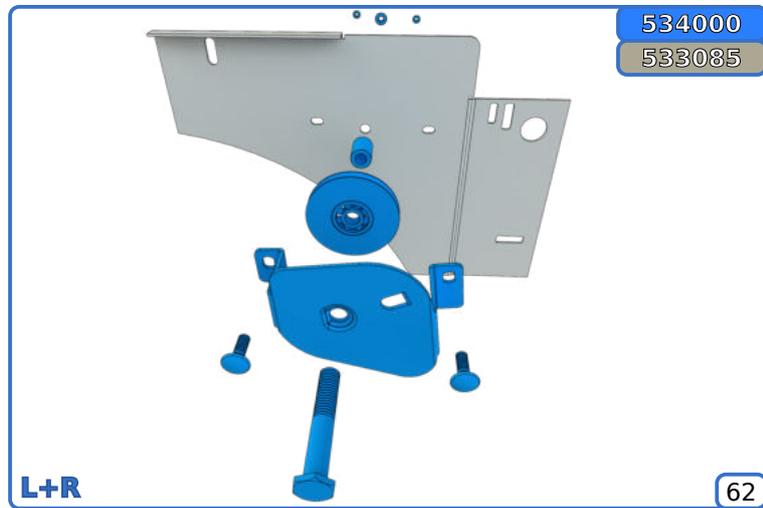
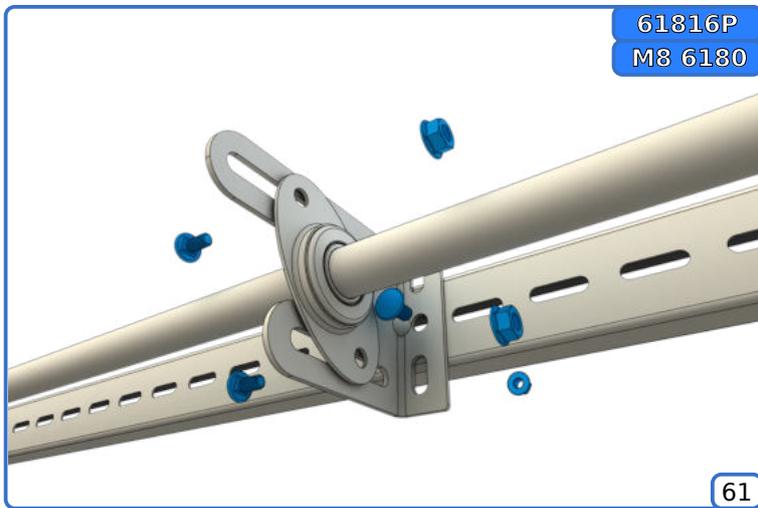
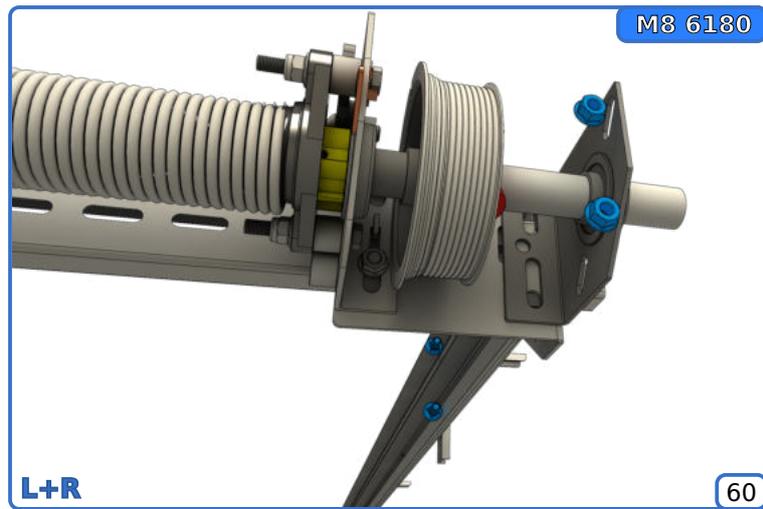
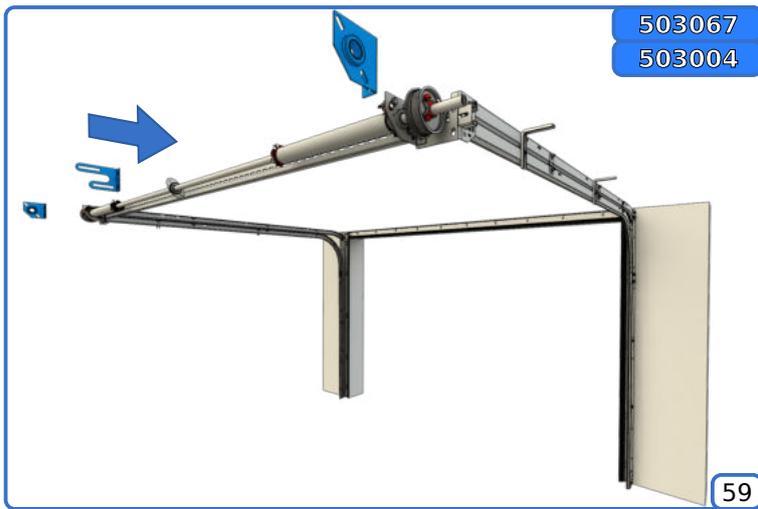
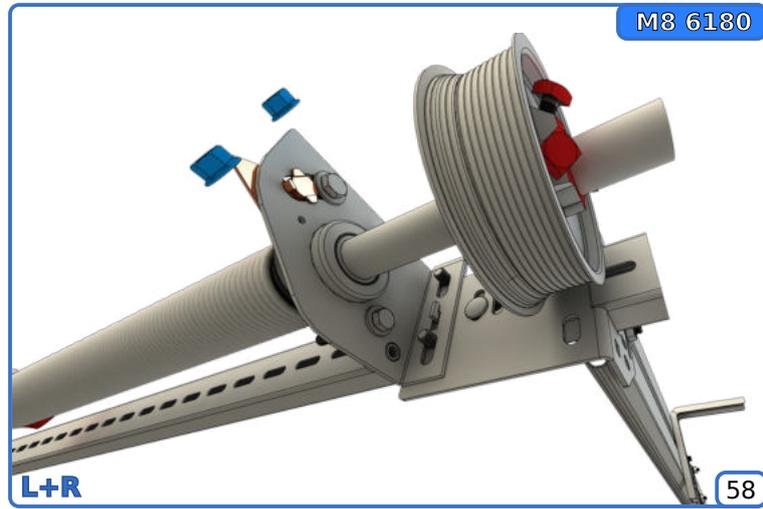
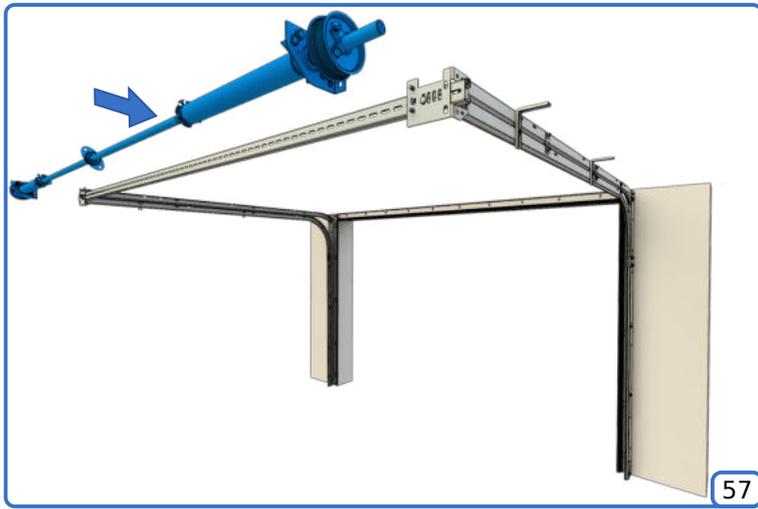
UNI-F



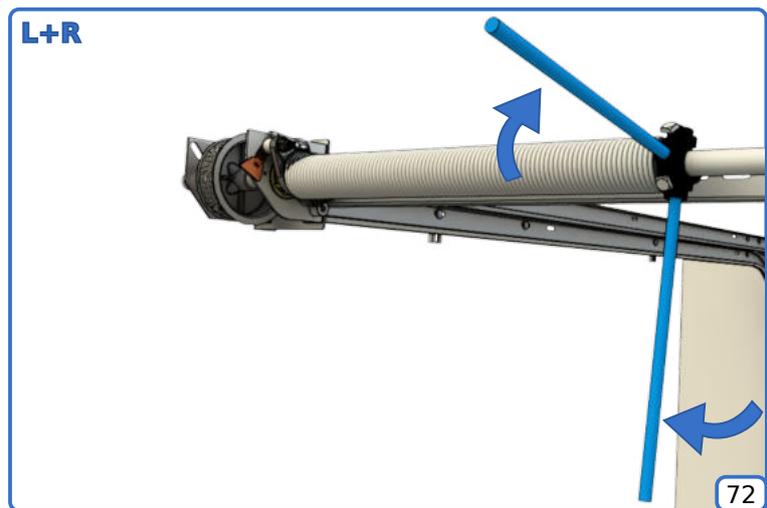
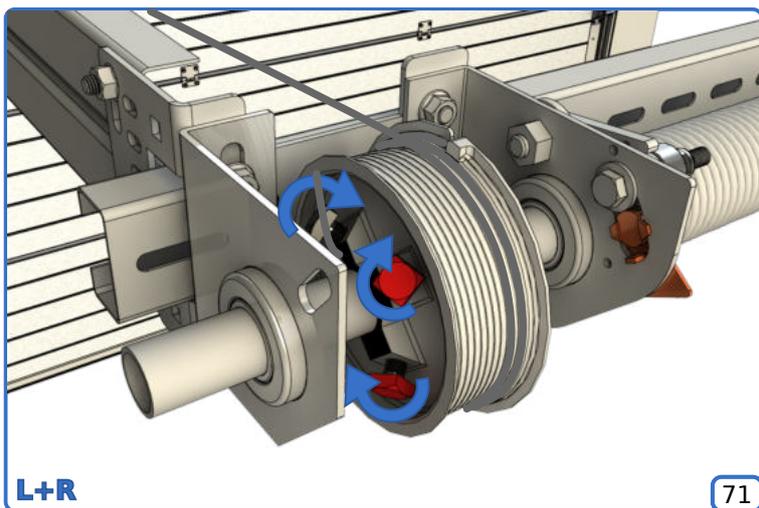
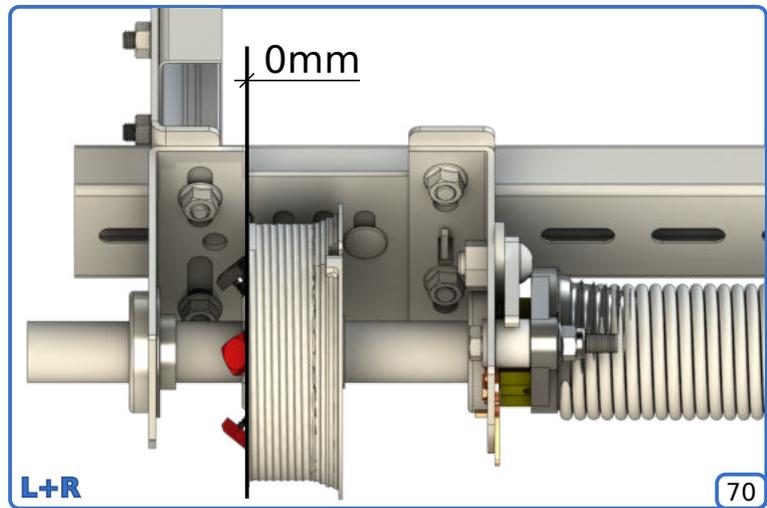
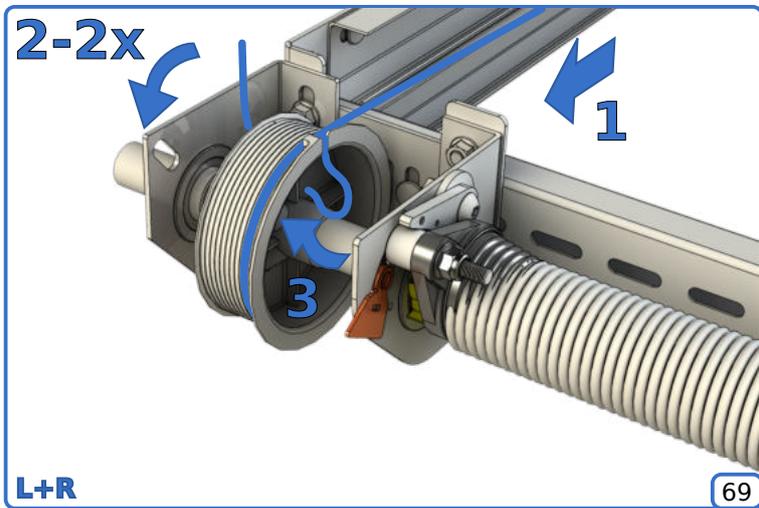
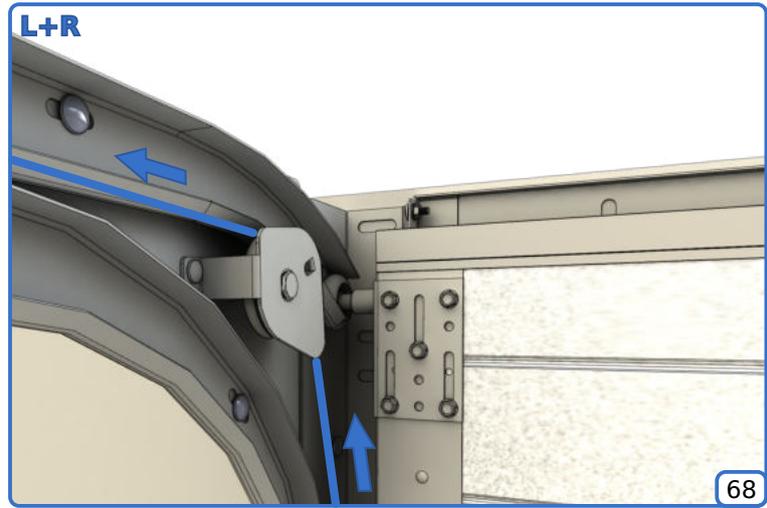
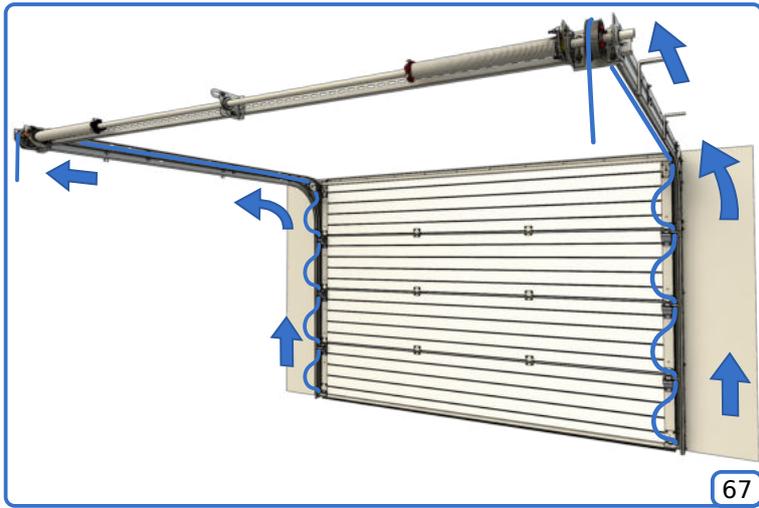
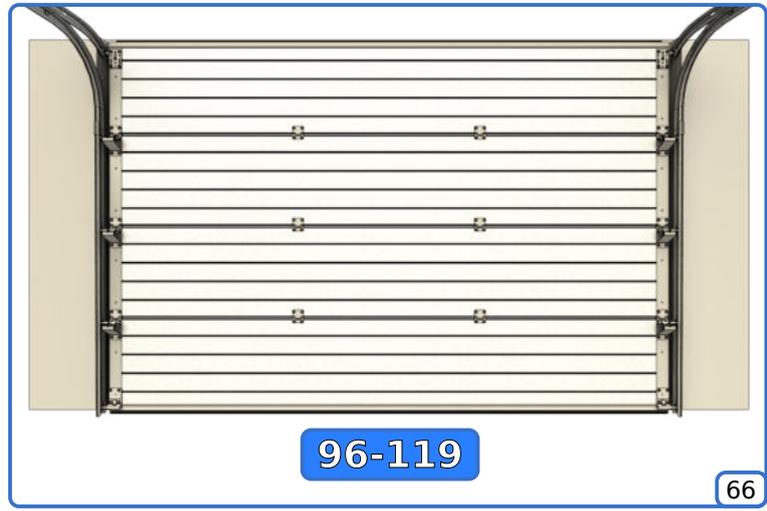
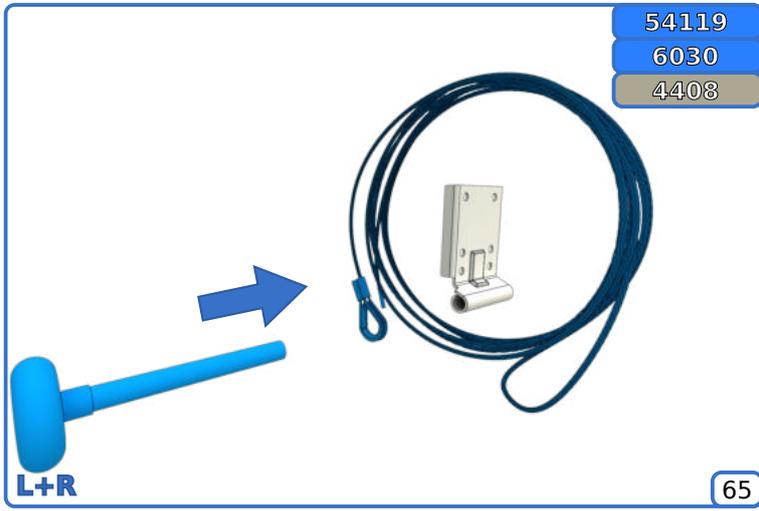
UNI-R



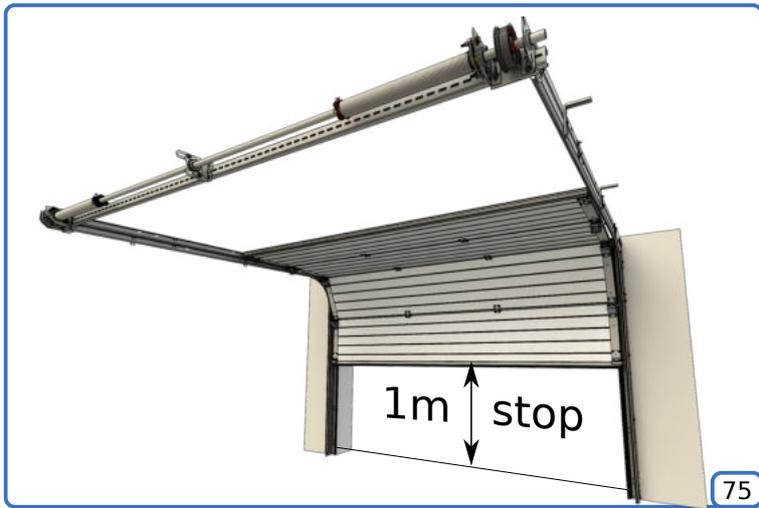
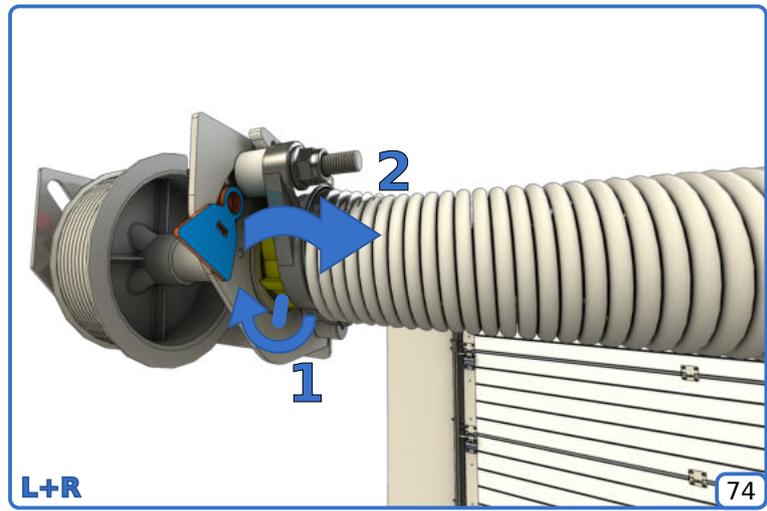
UNI-R



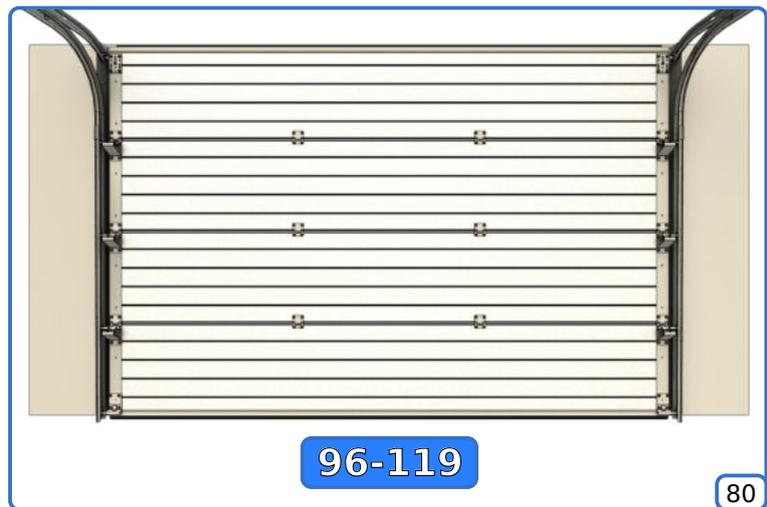
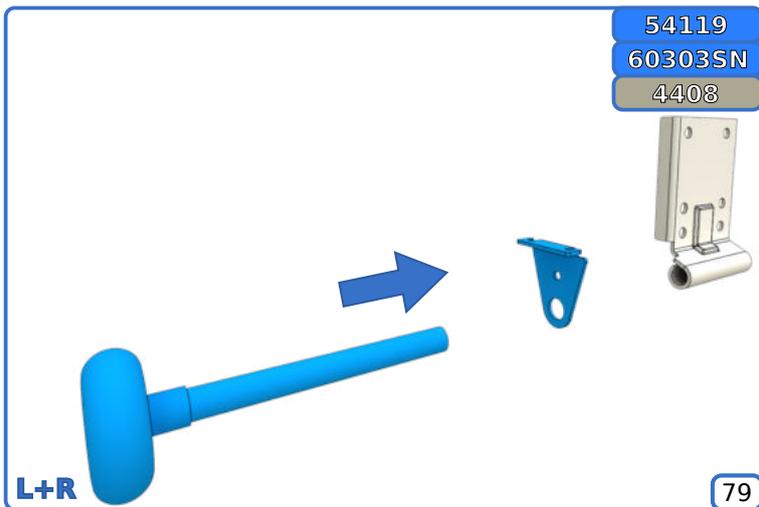
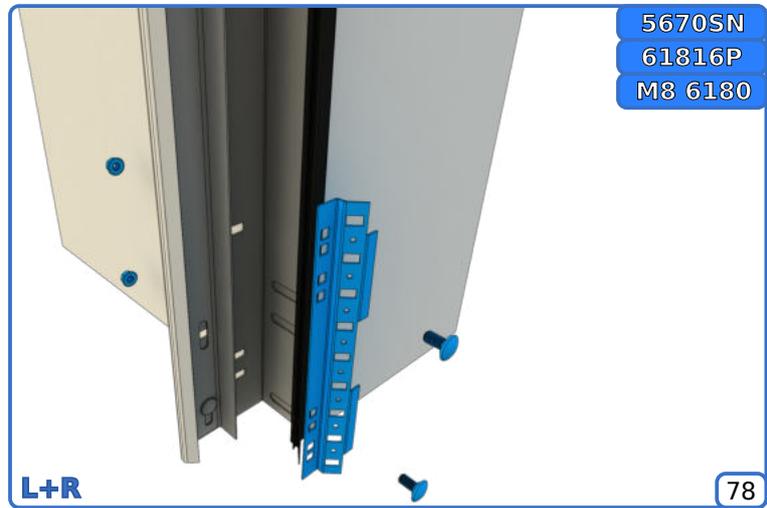
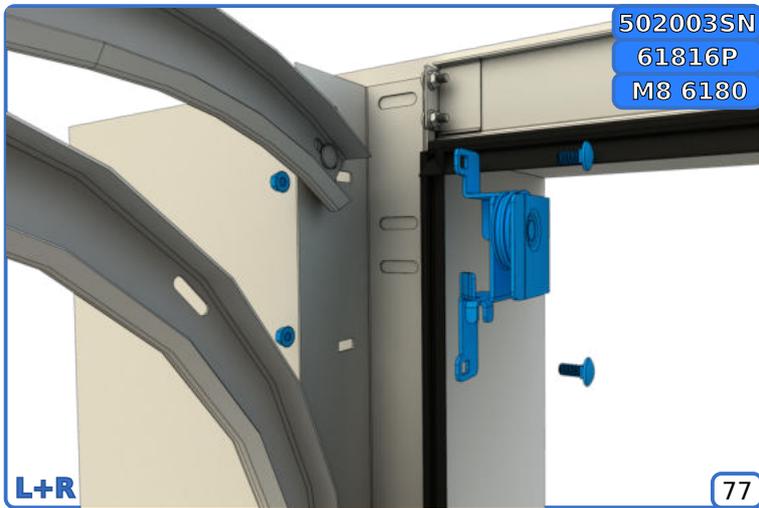
UNI-R



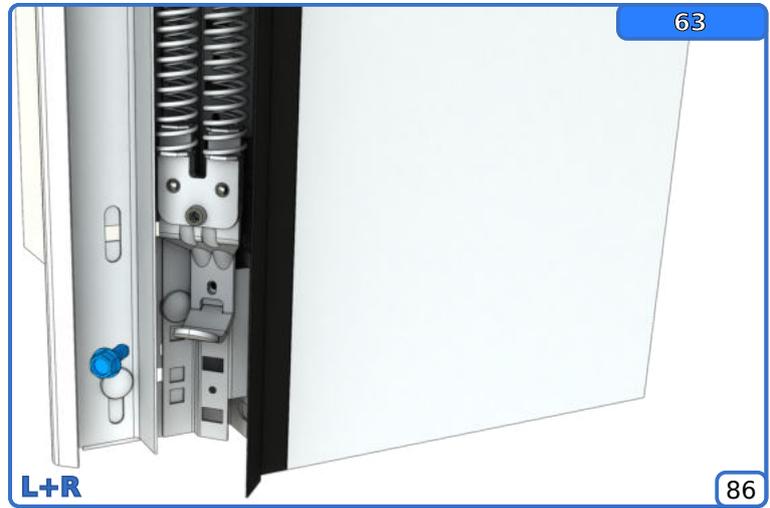
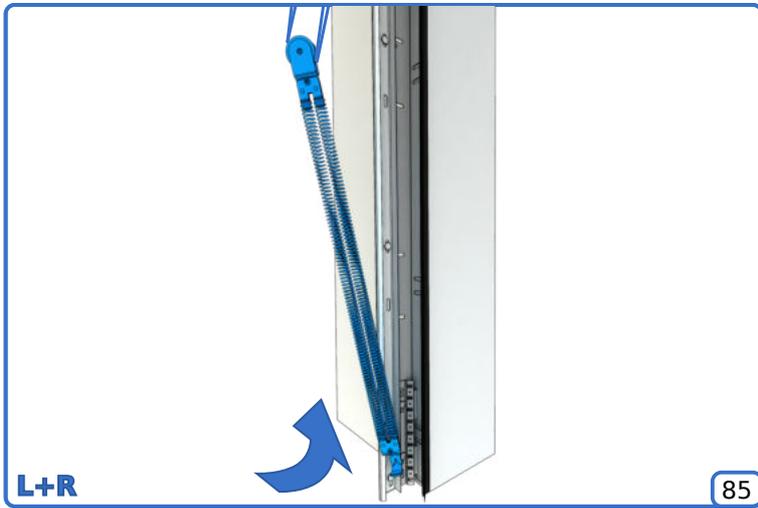
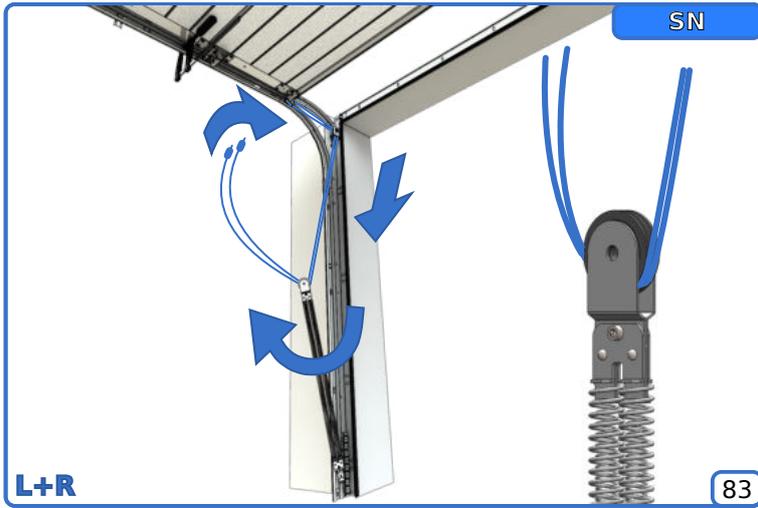
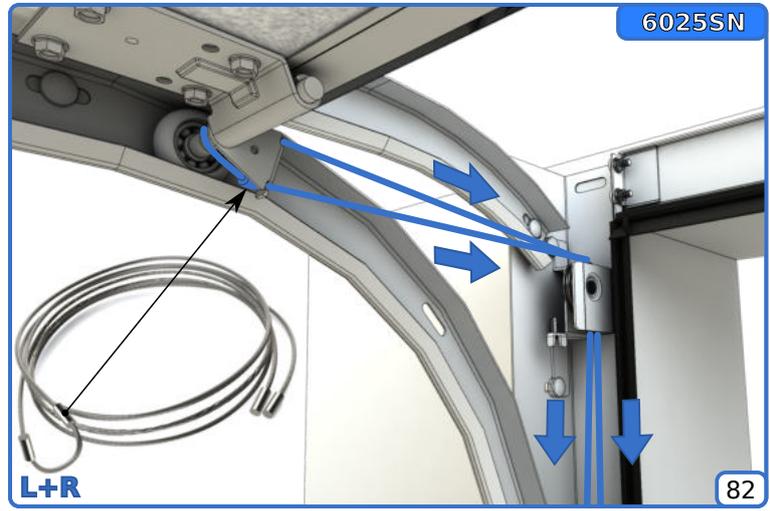
UNI-R



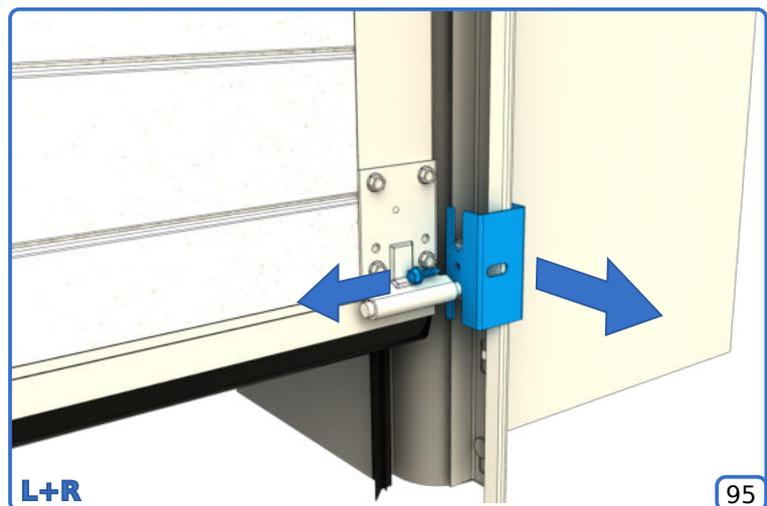
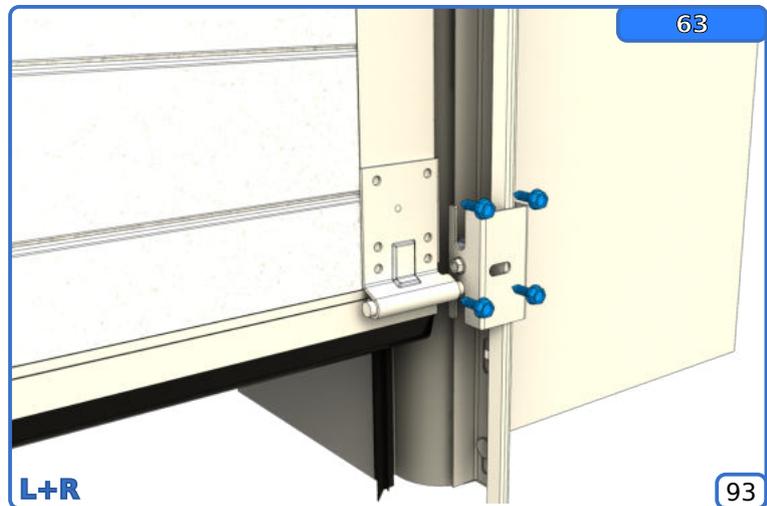
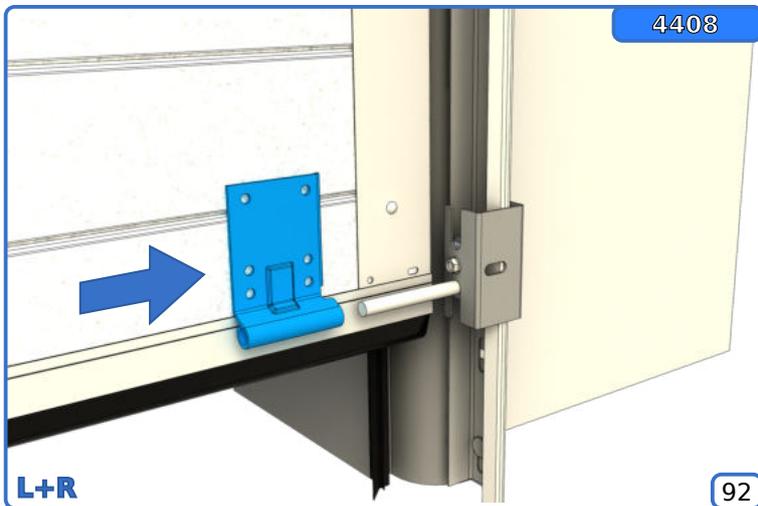
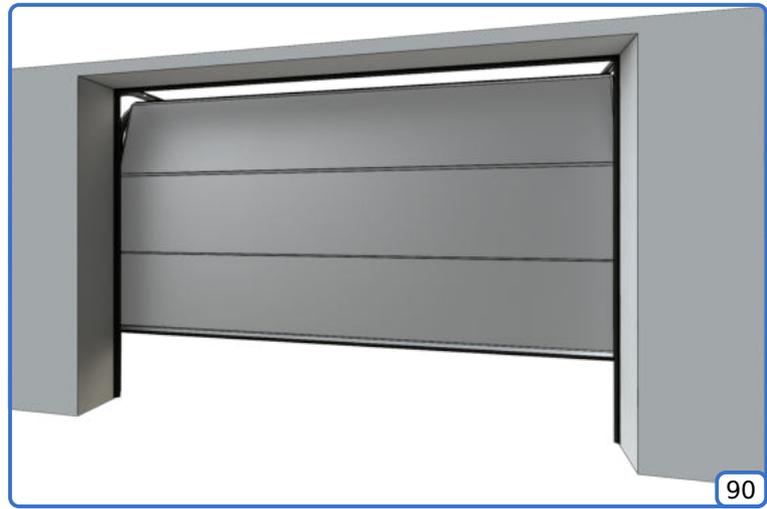
UNI-X



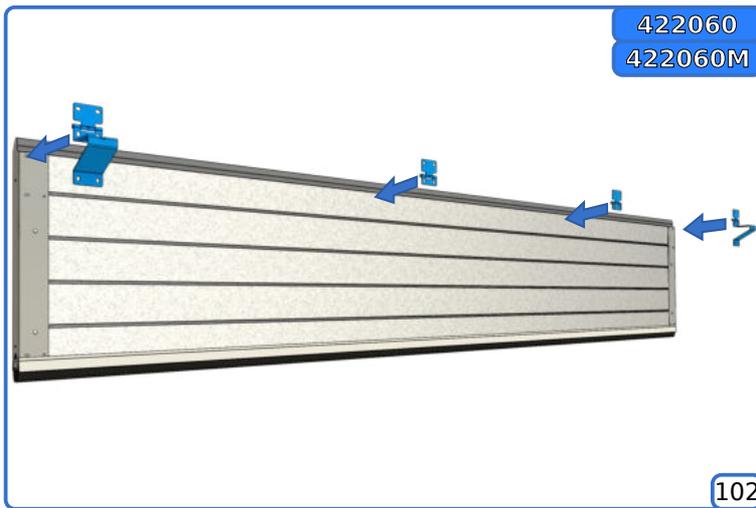
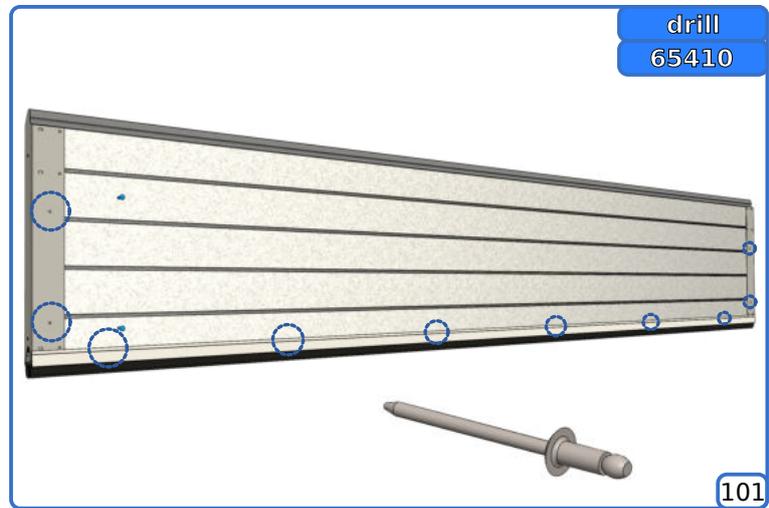
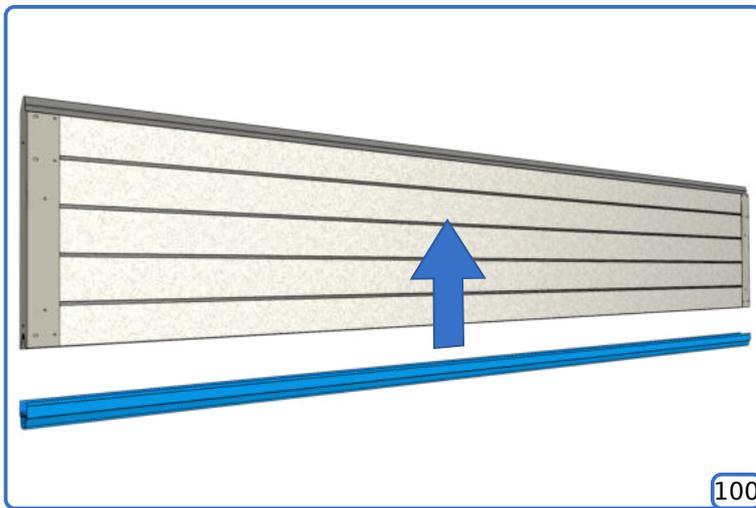
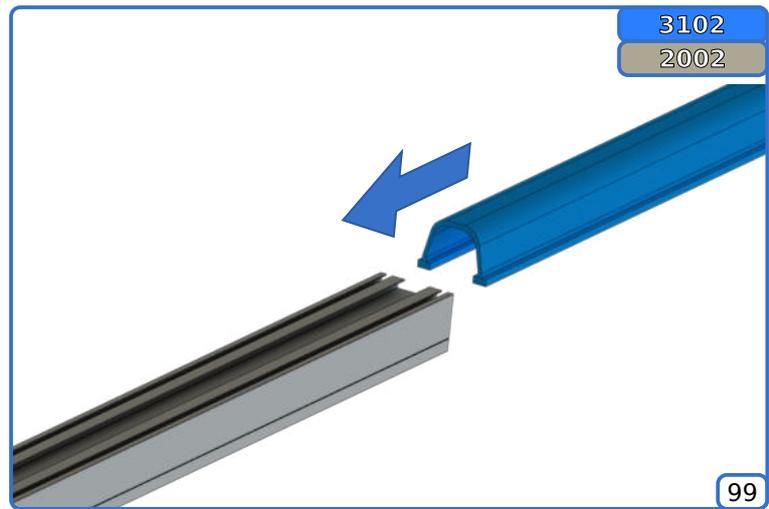
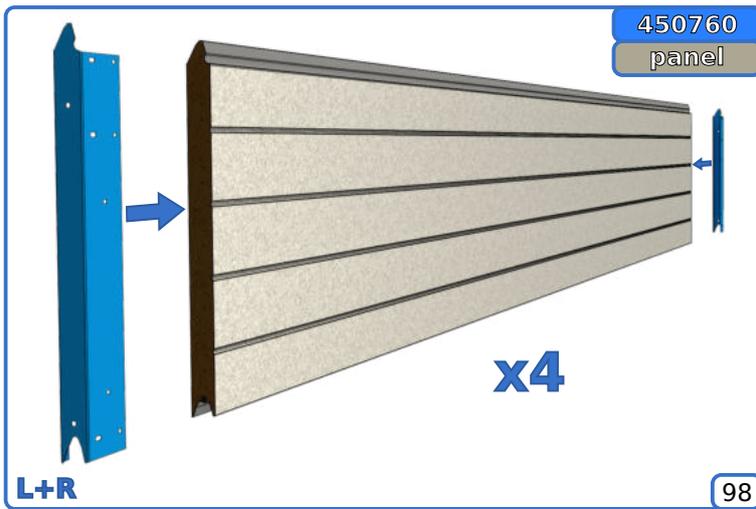
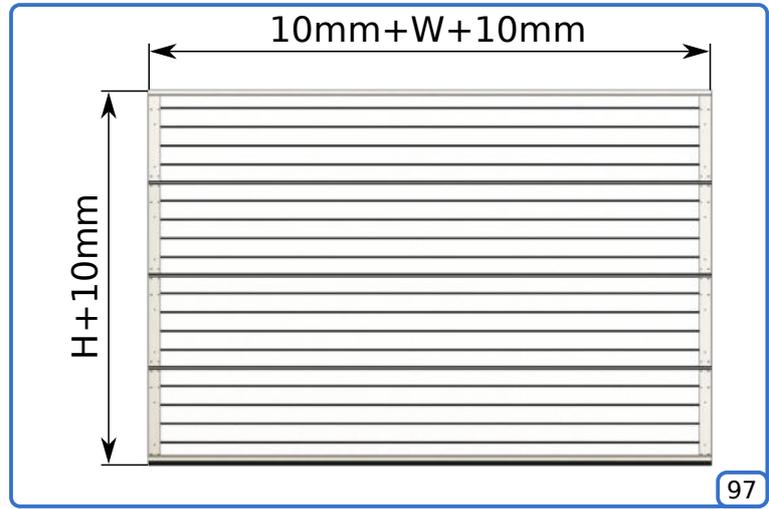
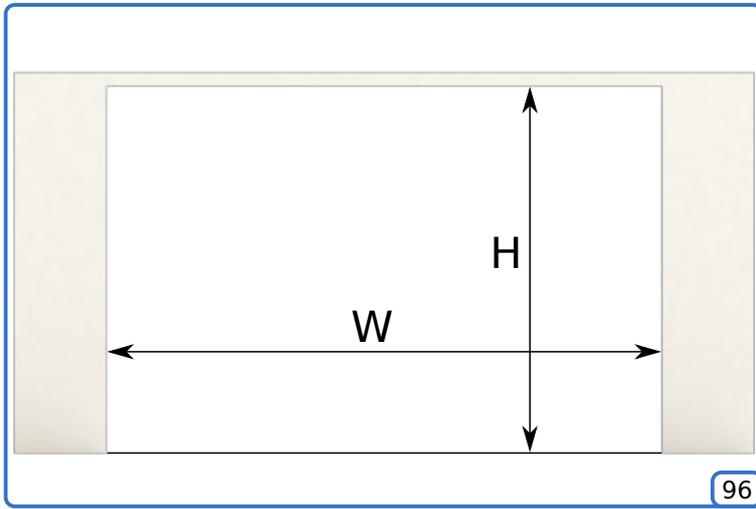
UNI-X



UNI-X



PANELS



PANELS

