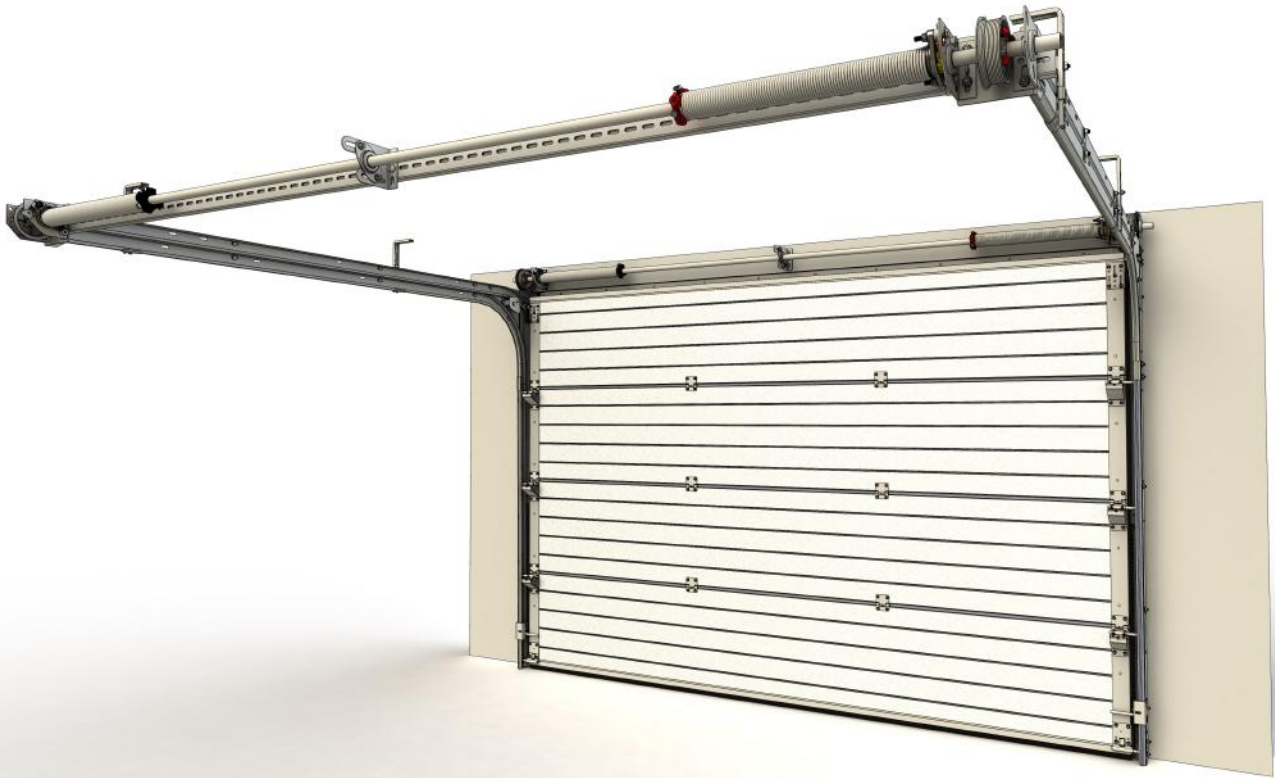


3 in 1

UNIVERSAL SYSTEM

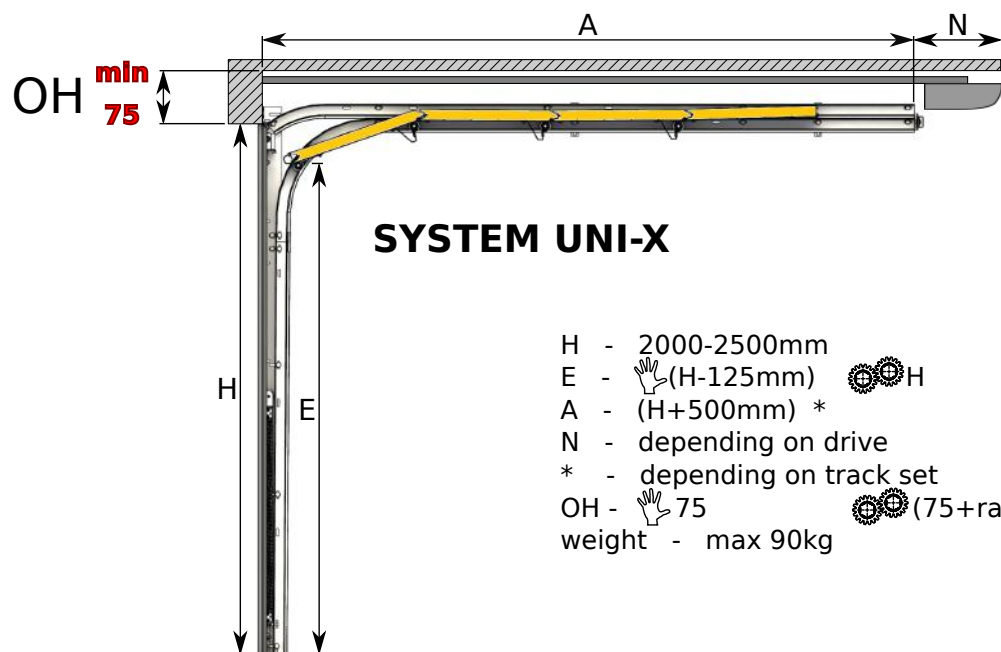
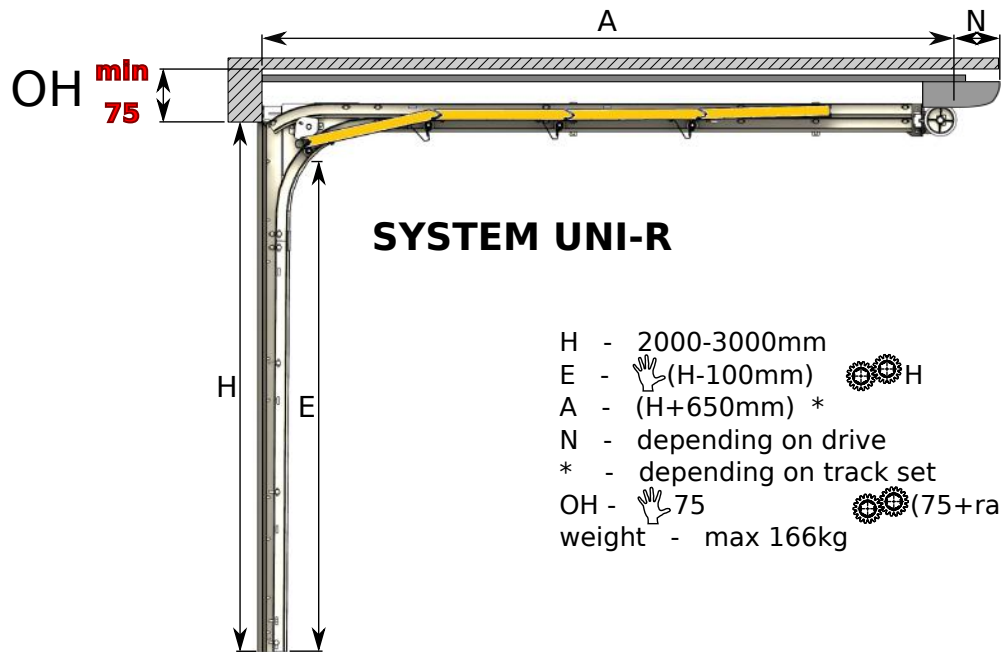
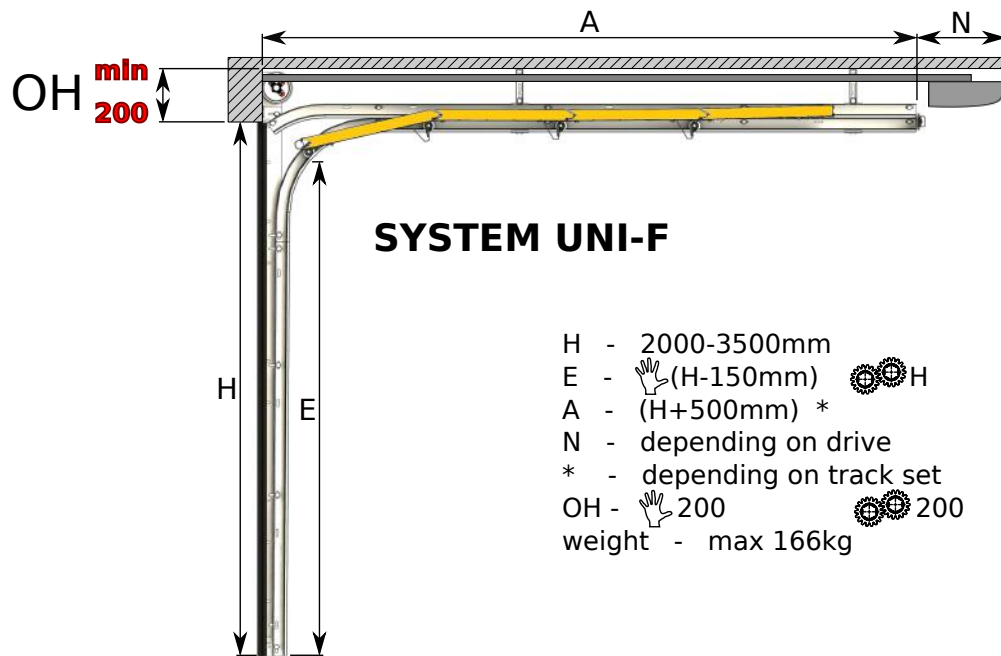


TORSION SPRINGS FRONT UNI-F

TORSION SPRINGS REAR UNI-R

TENSION SPRINGS UNI-X

TENSION SPRINGS PRE-TENSION



UNI-F



1-48,96-119

UNI-R

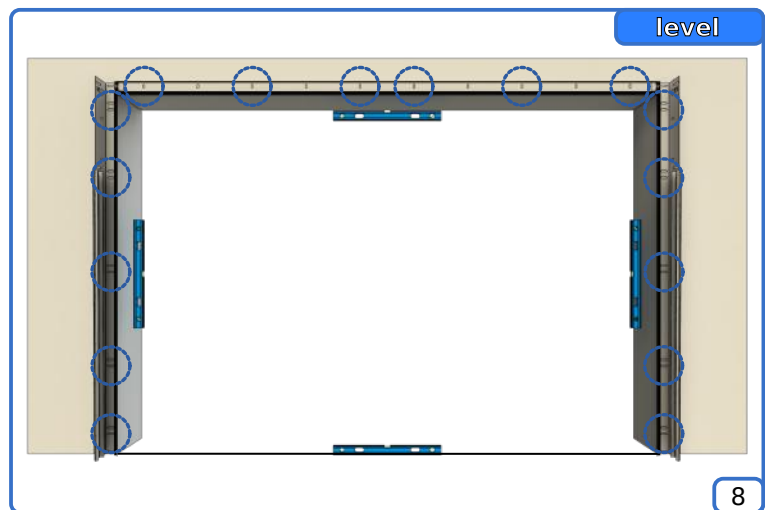
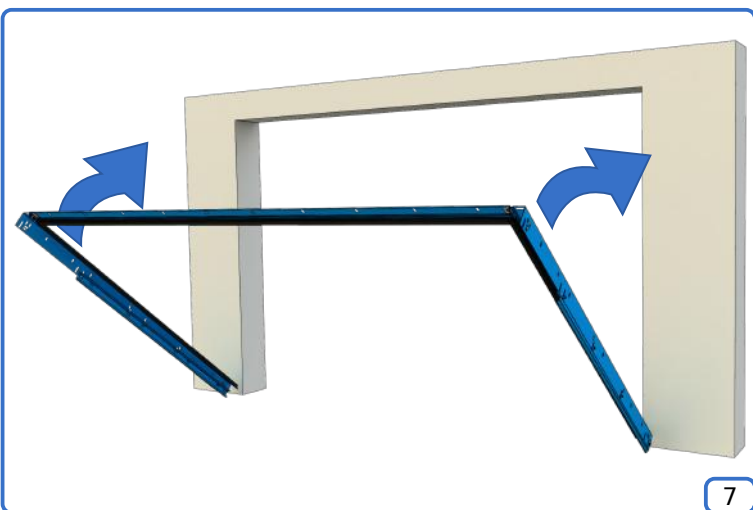
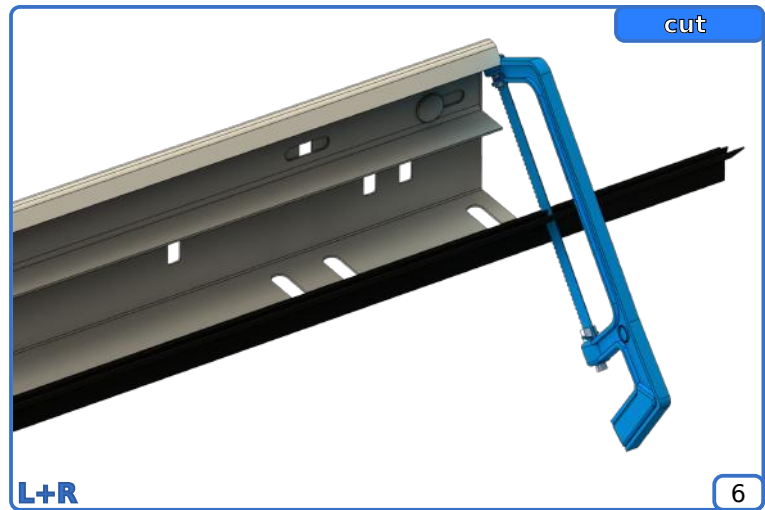
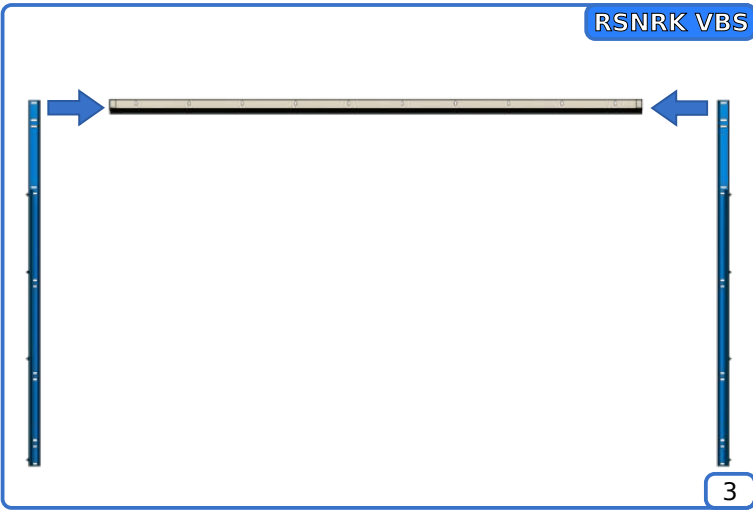
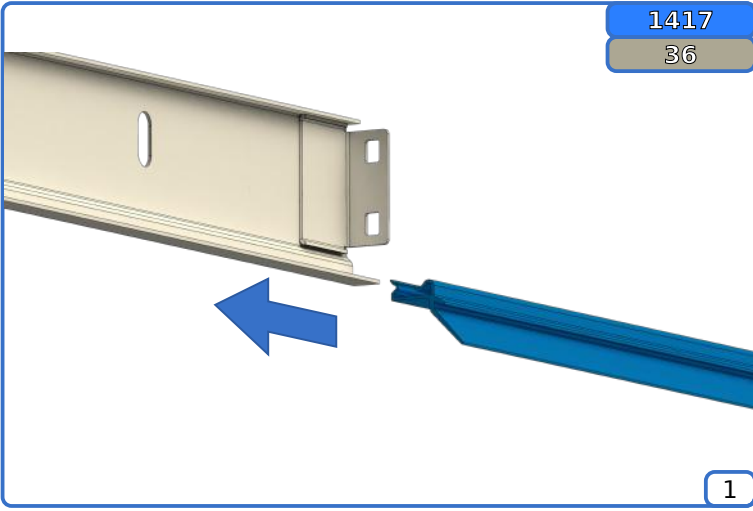


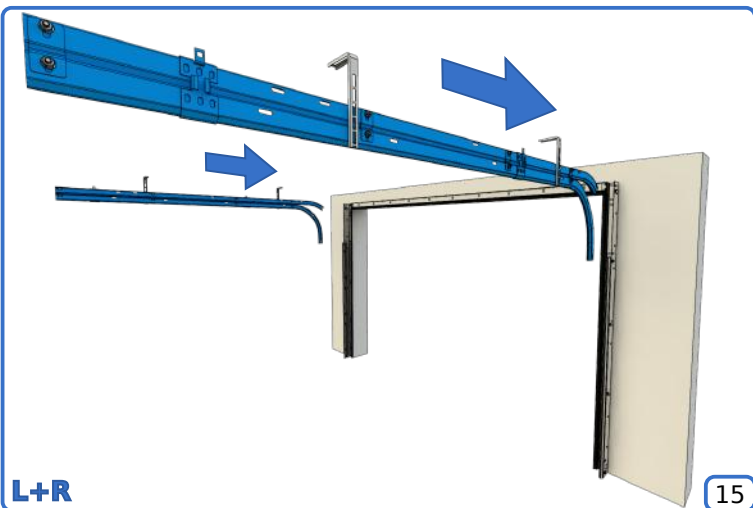
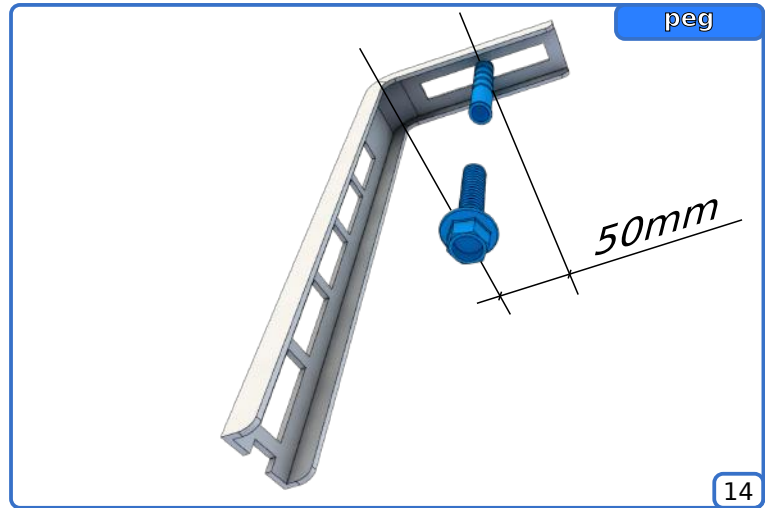
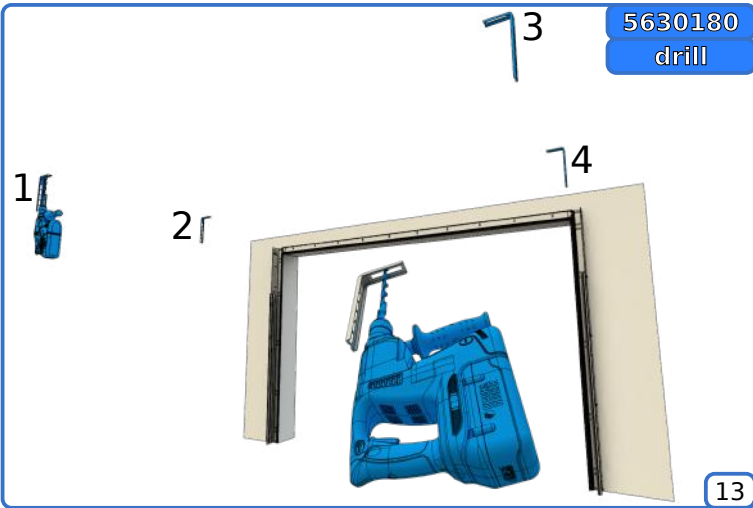
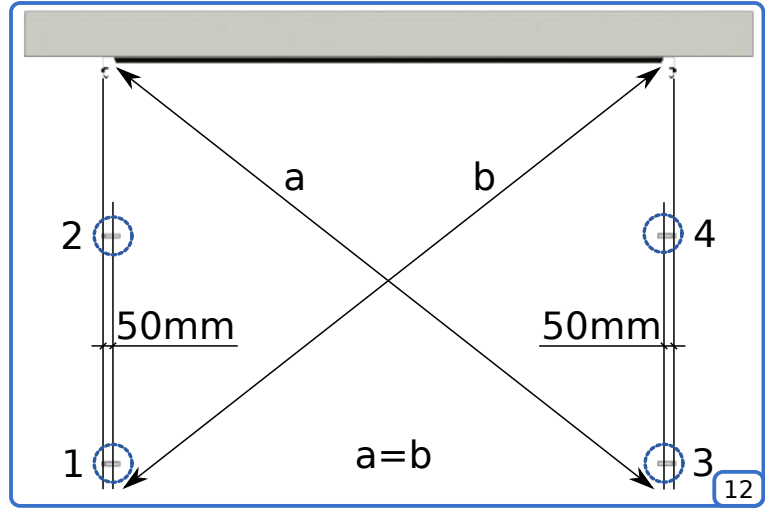
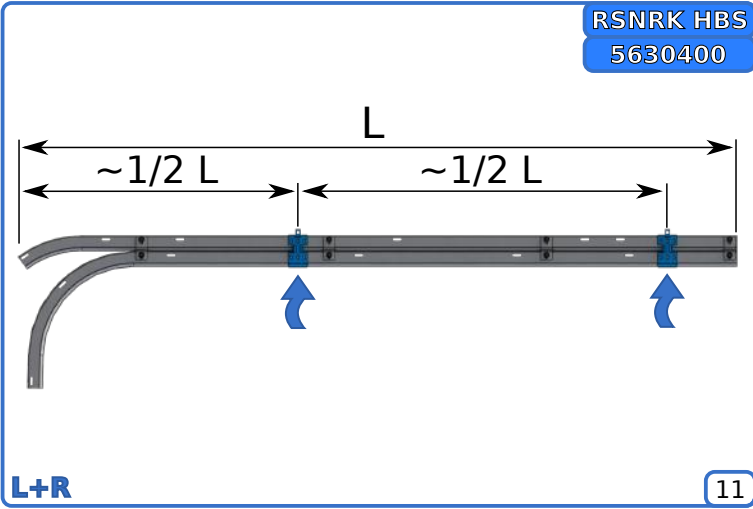
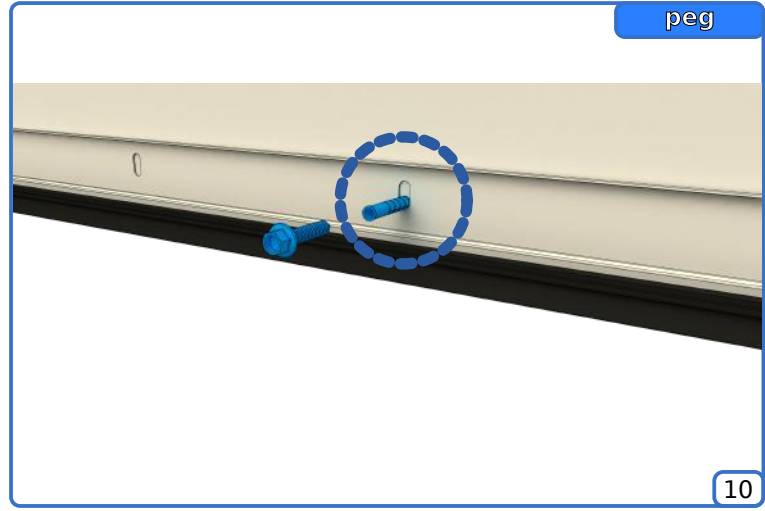
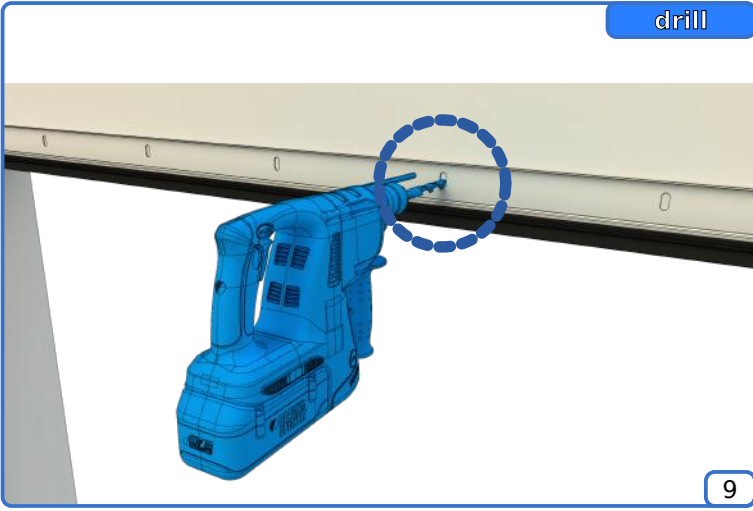
1-24,49-76,96-119

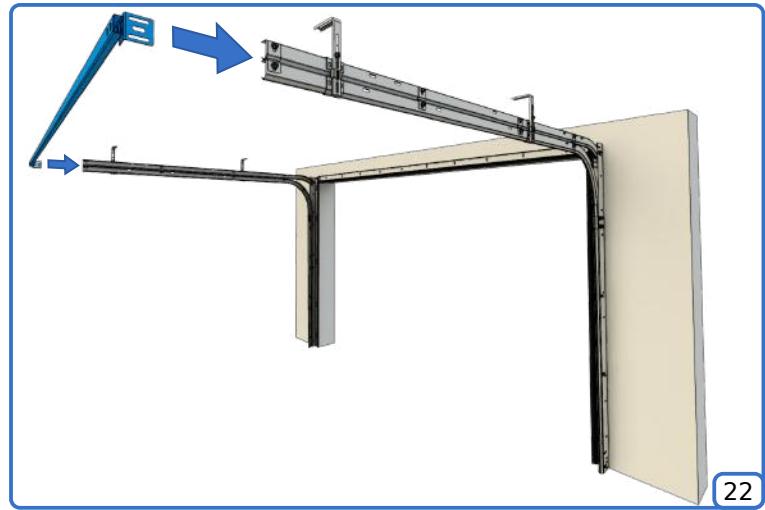
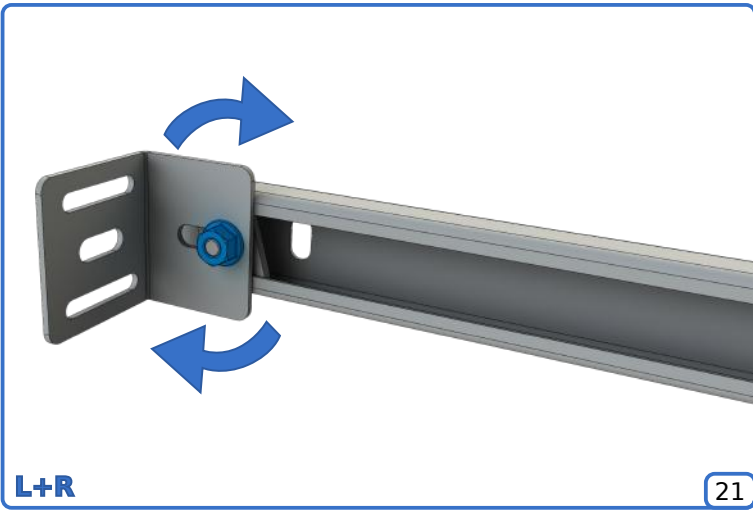
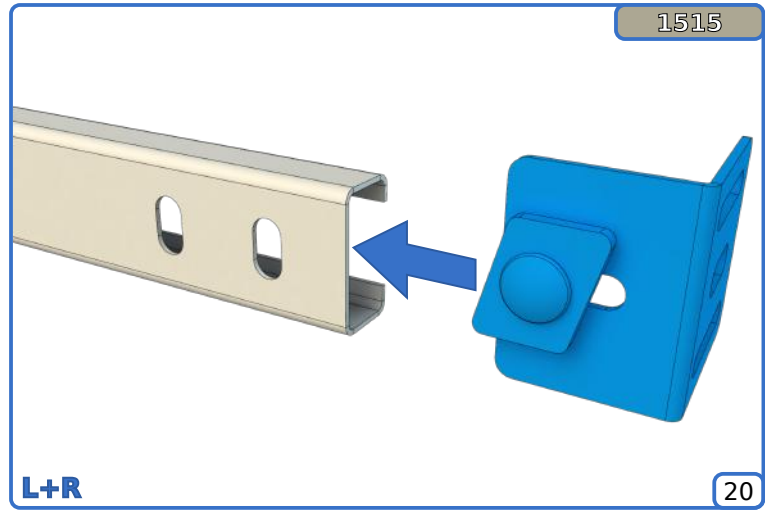
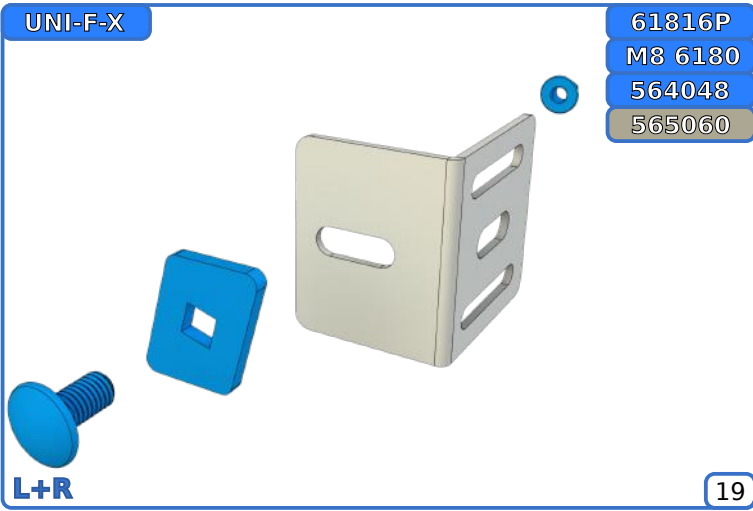
UNI-X



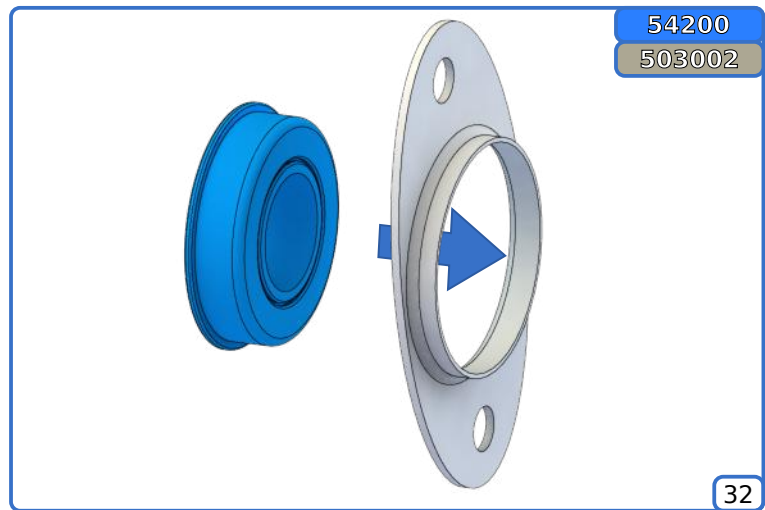
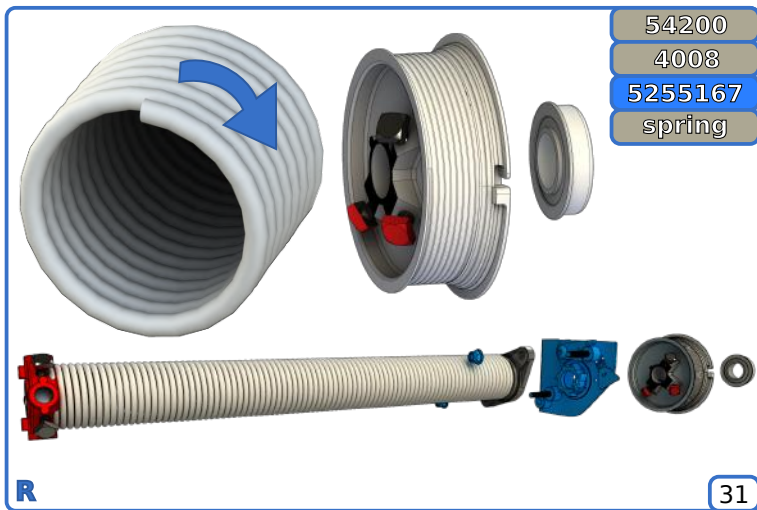
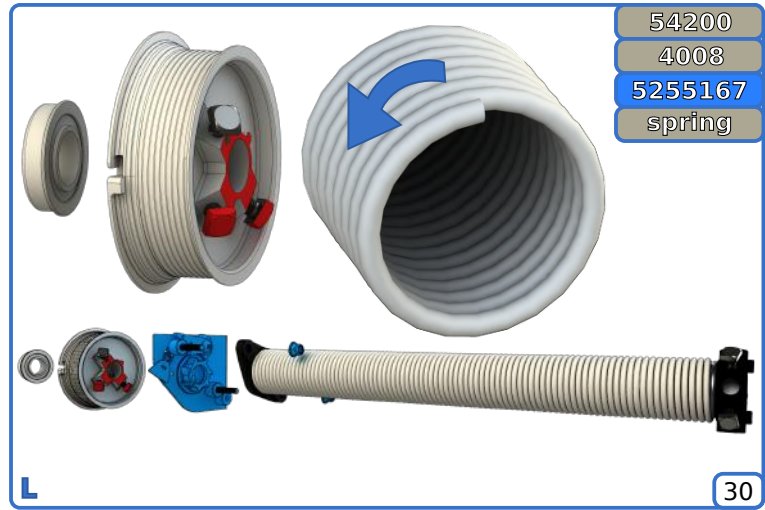
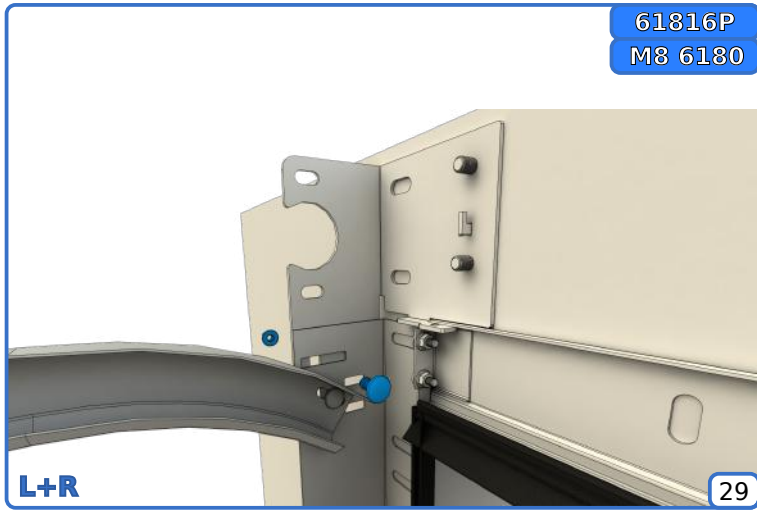
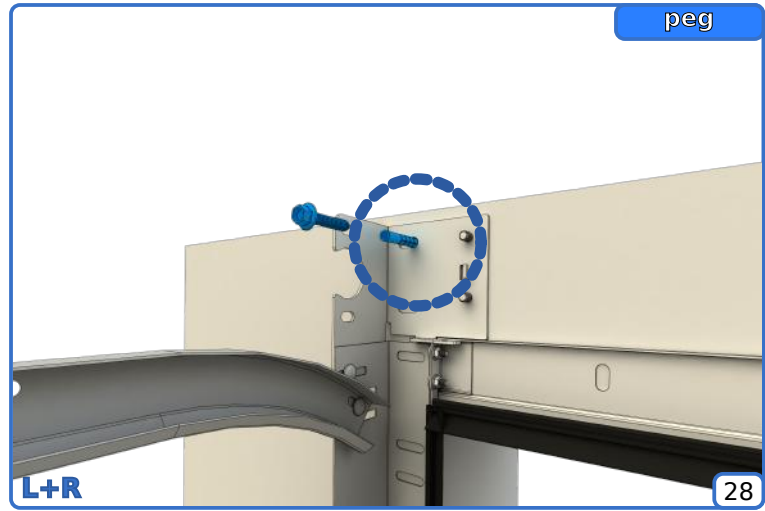
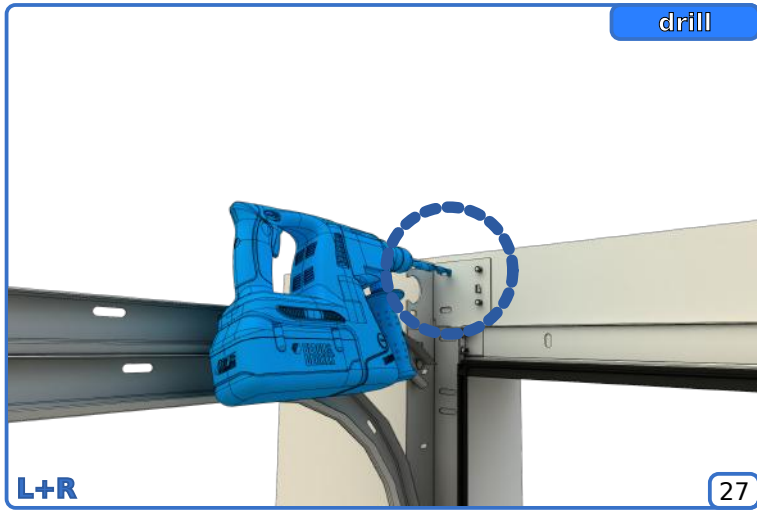
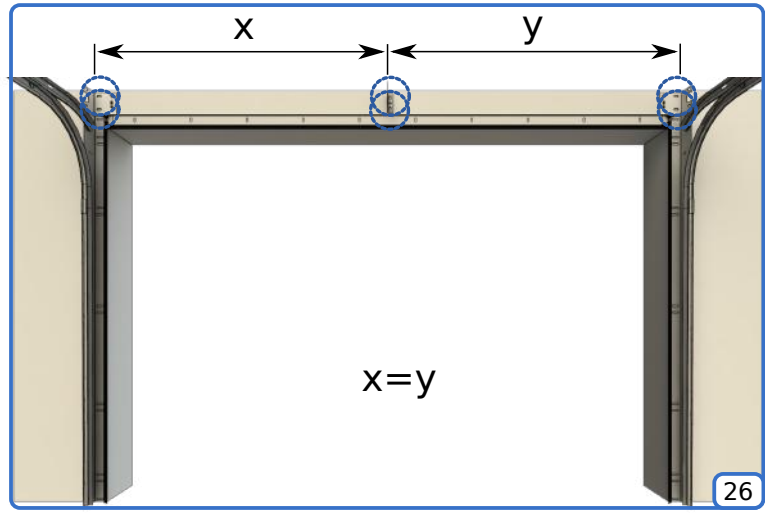
1-24,77-95,96-119



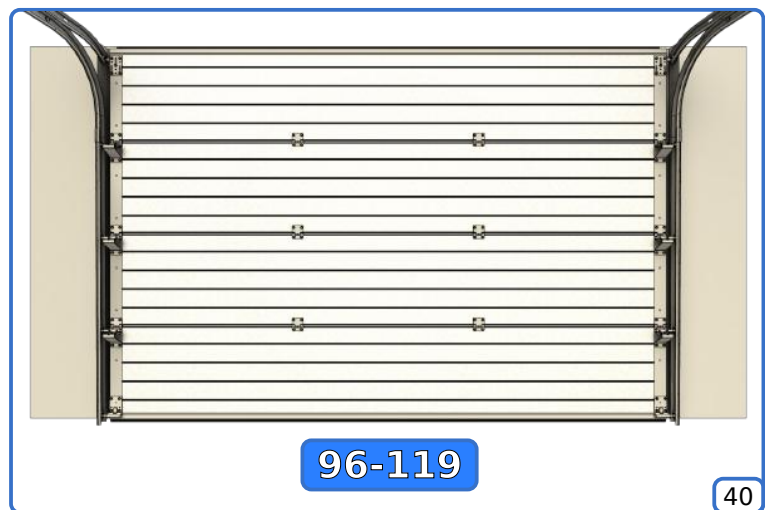
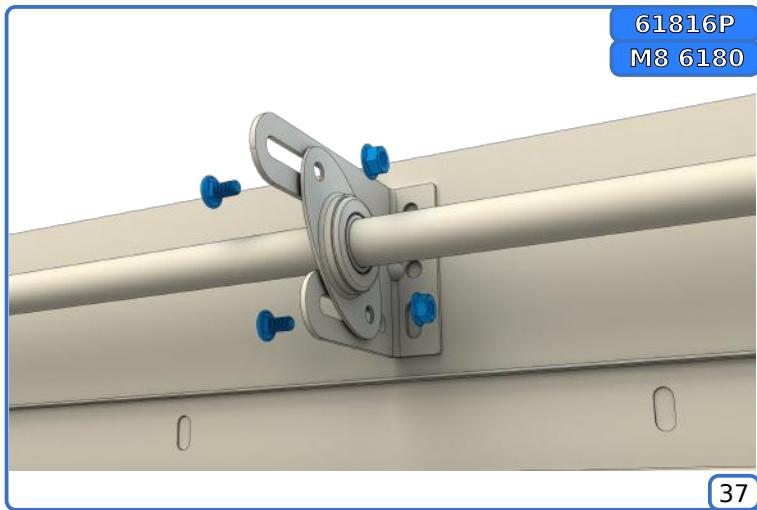
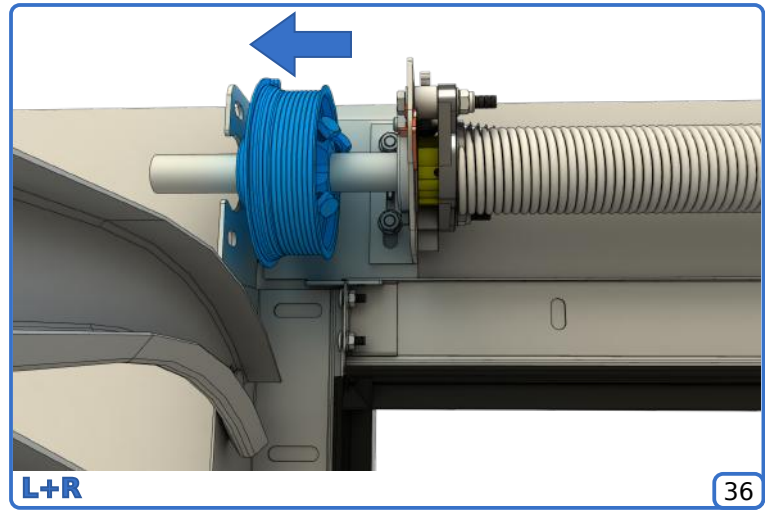
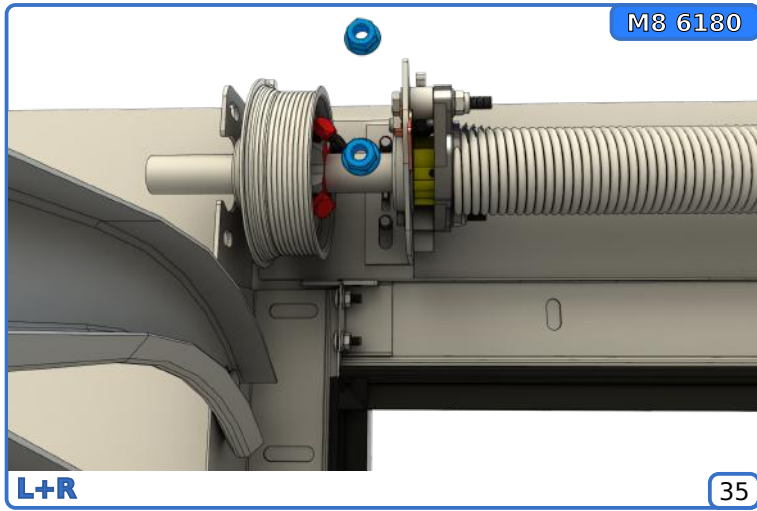
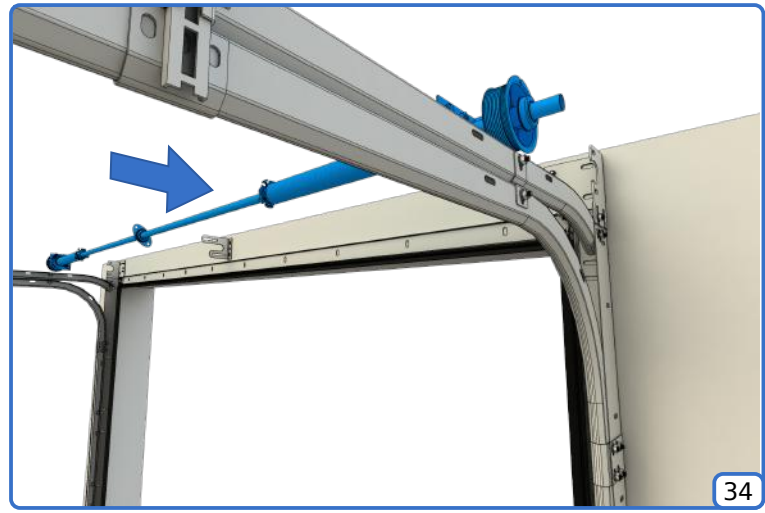
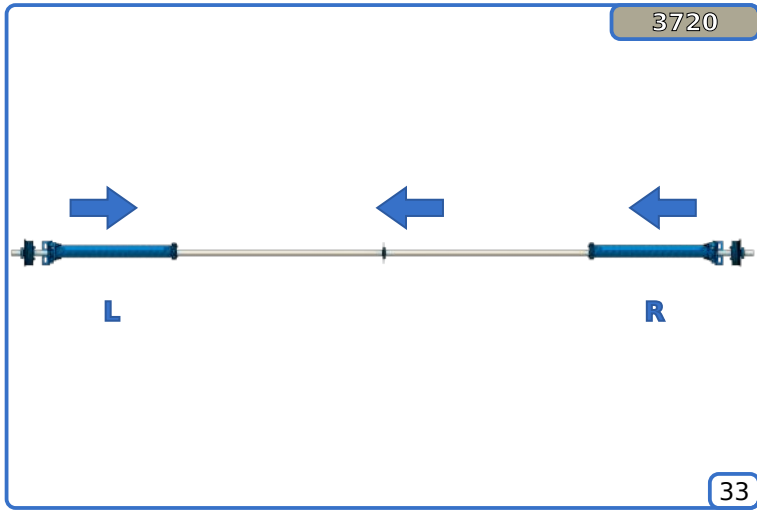




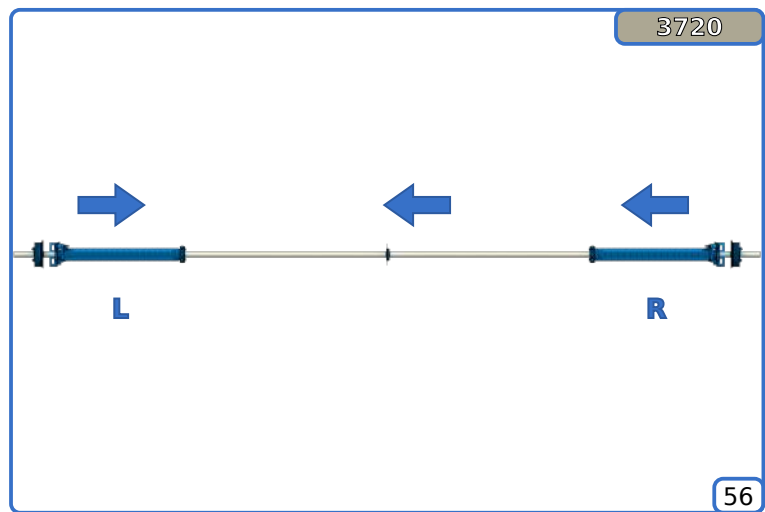
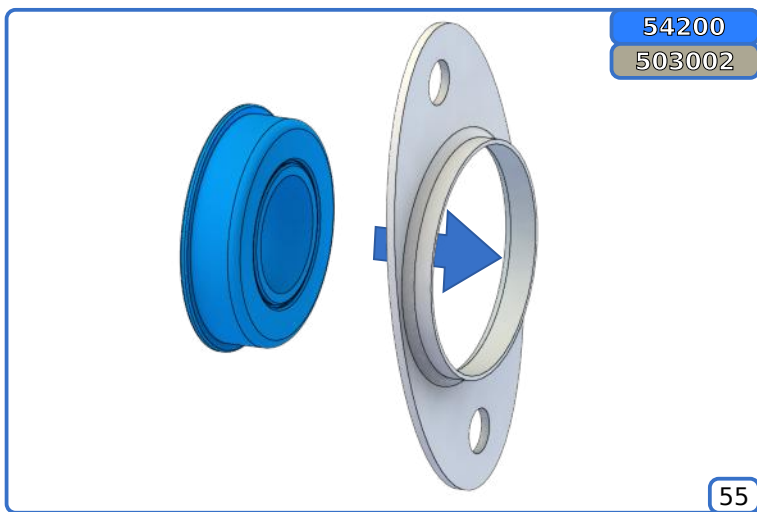
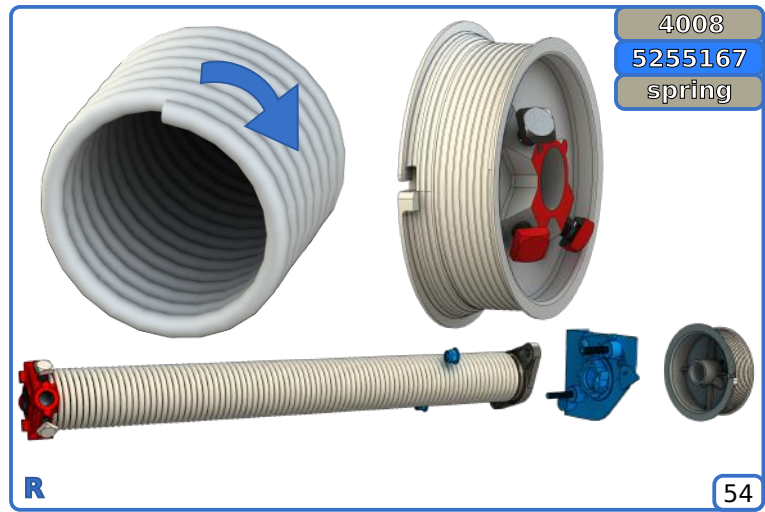
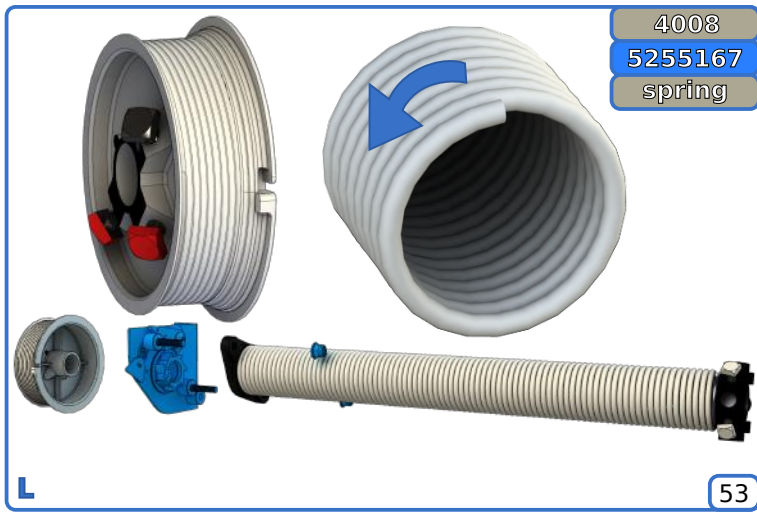
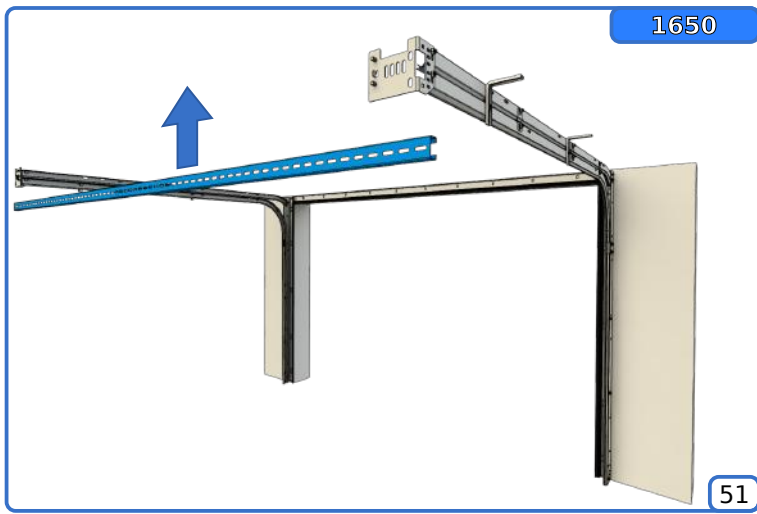
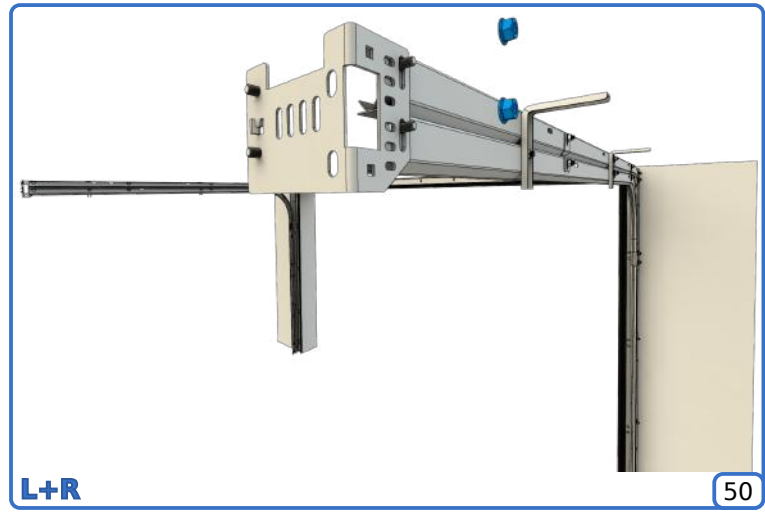
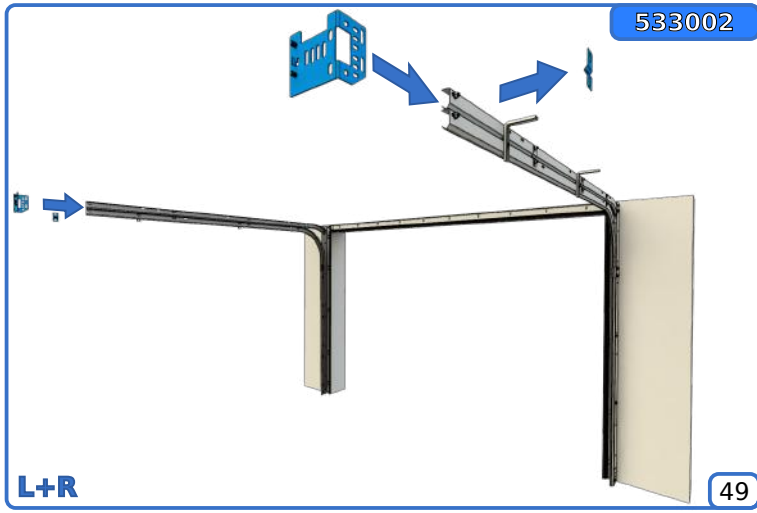
UNI-F



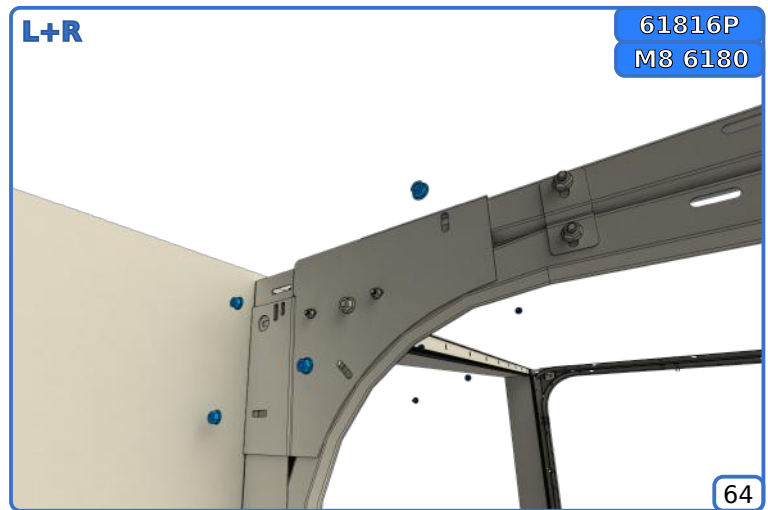
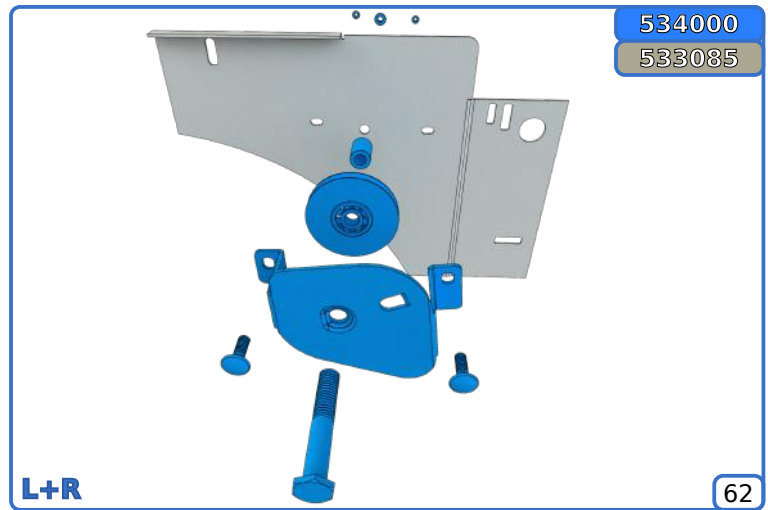
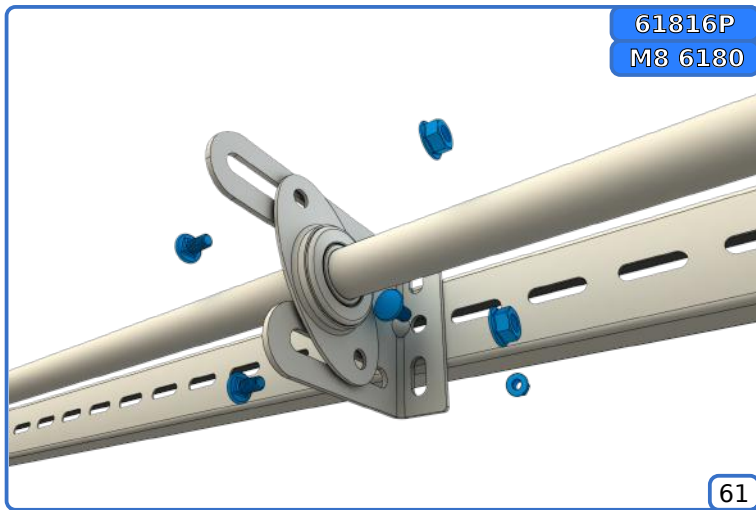
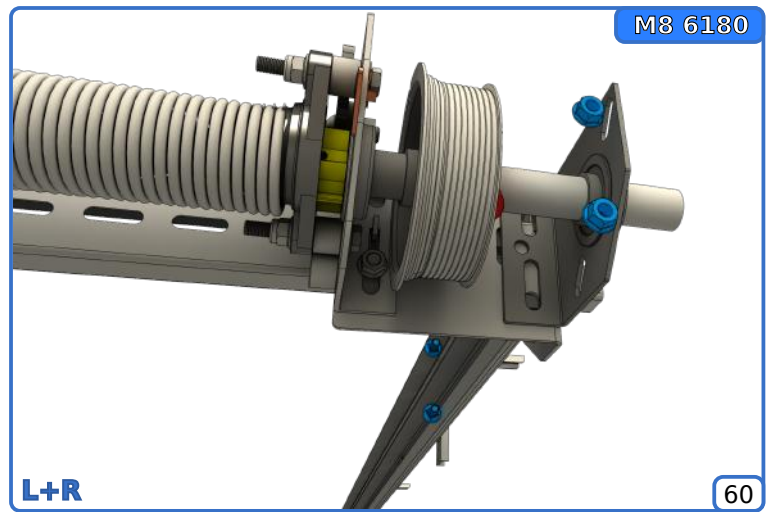
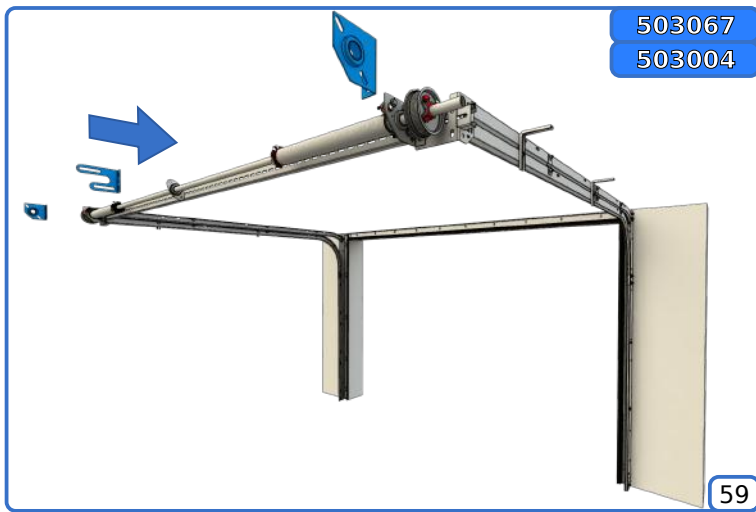
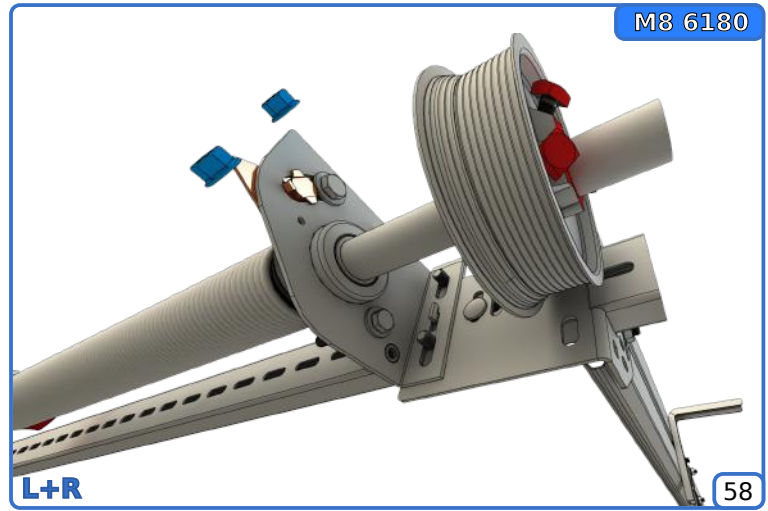
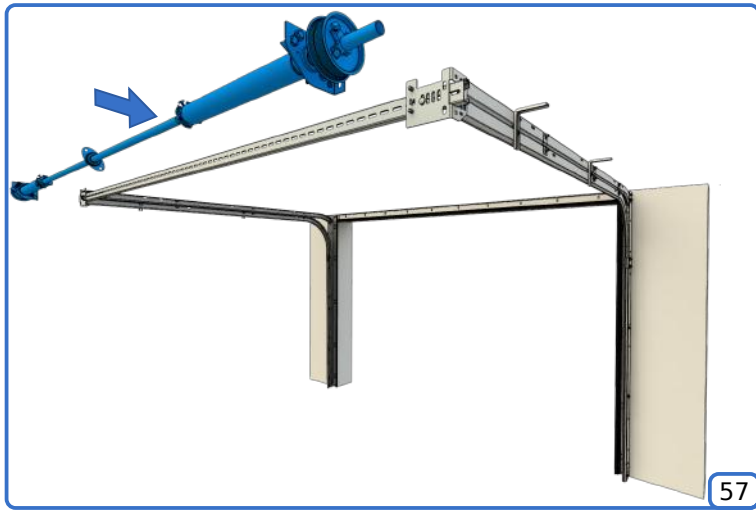
UNI-F



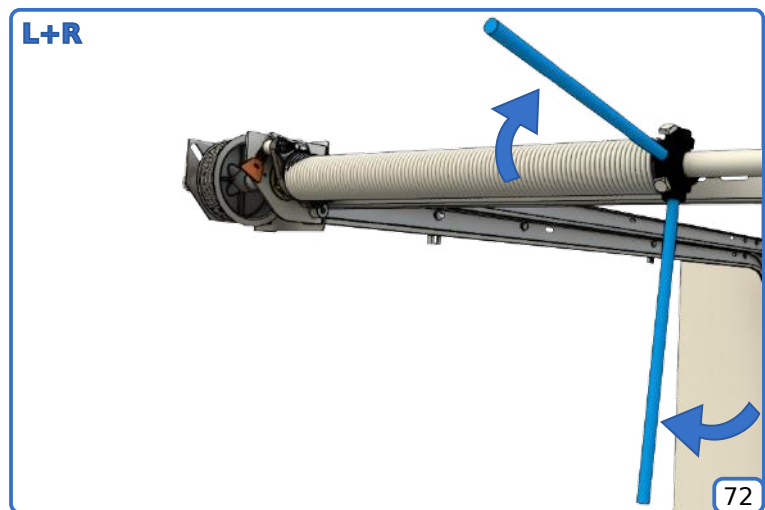
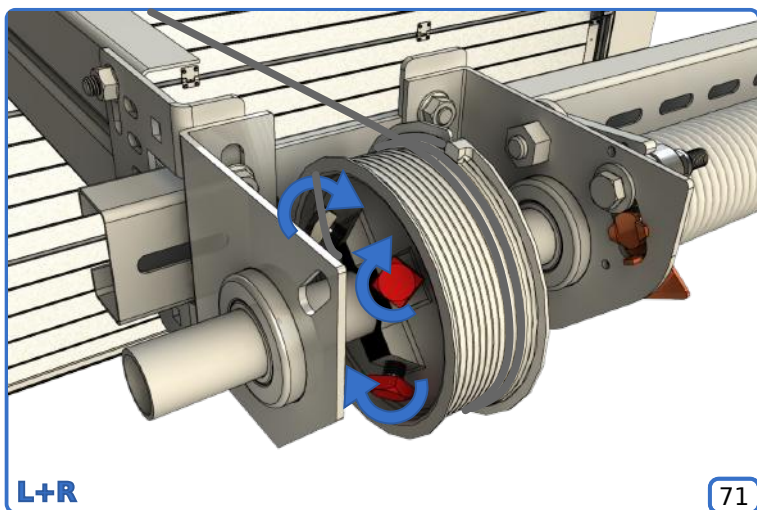
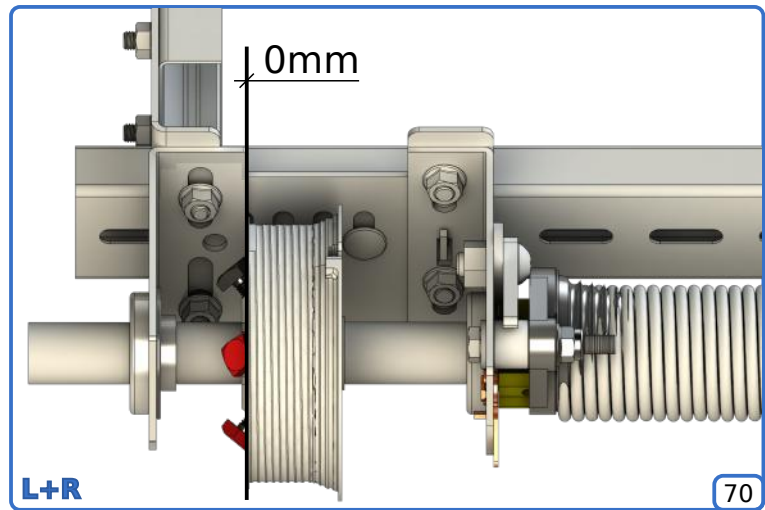
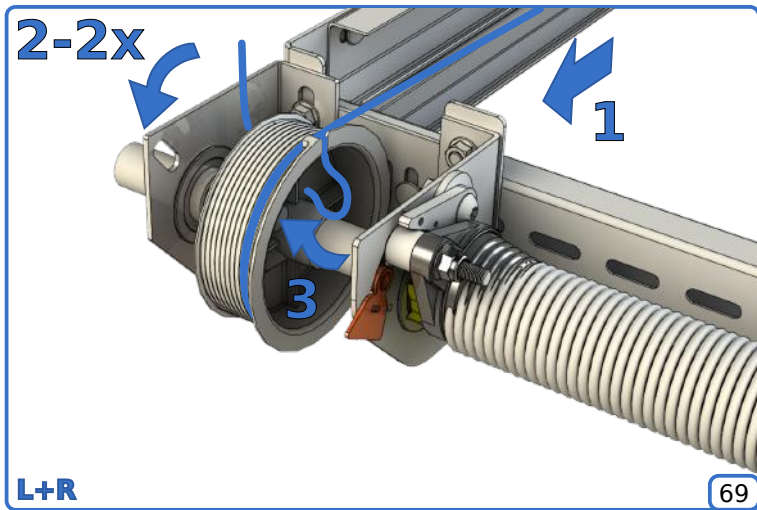
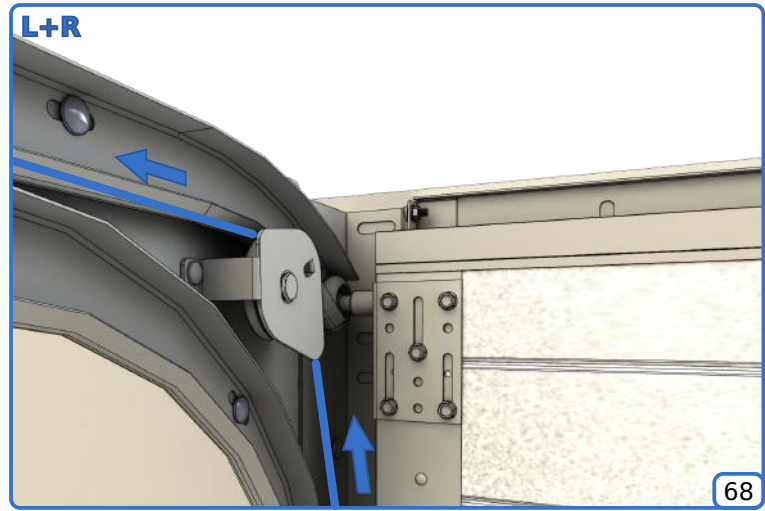
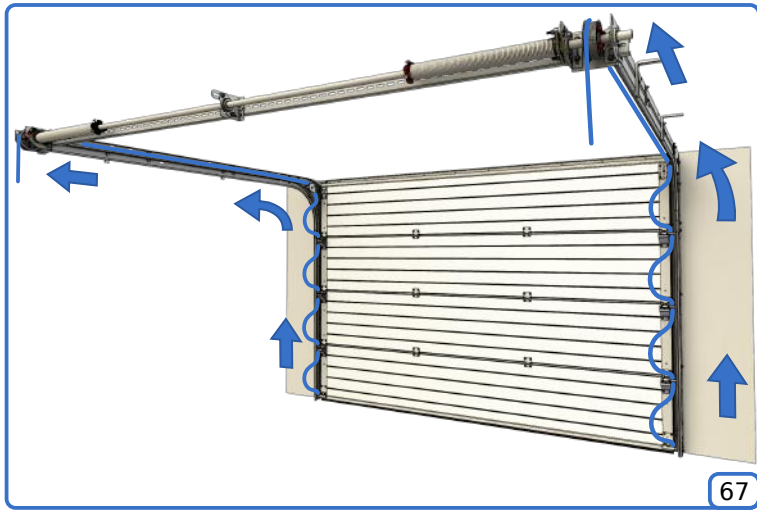
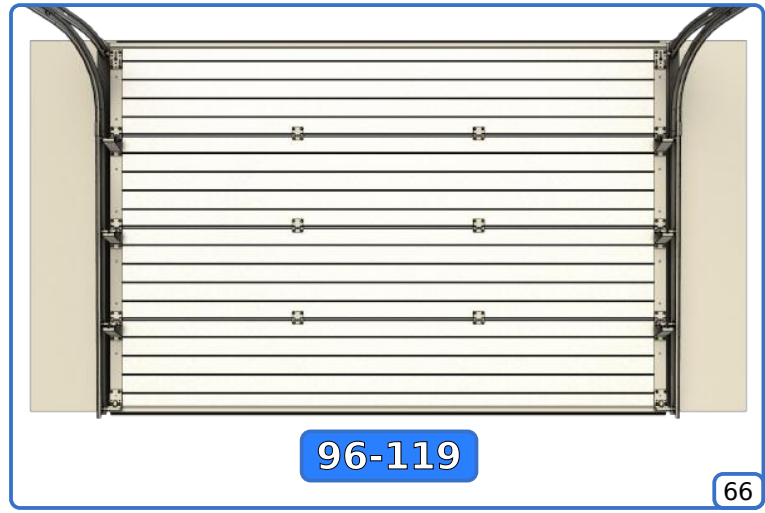
UNI-R



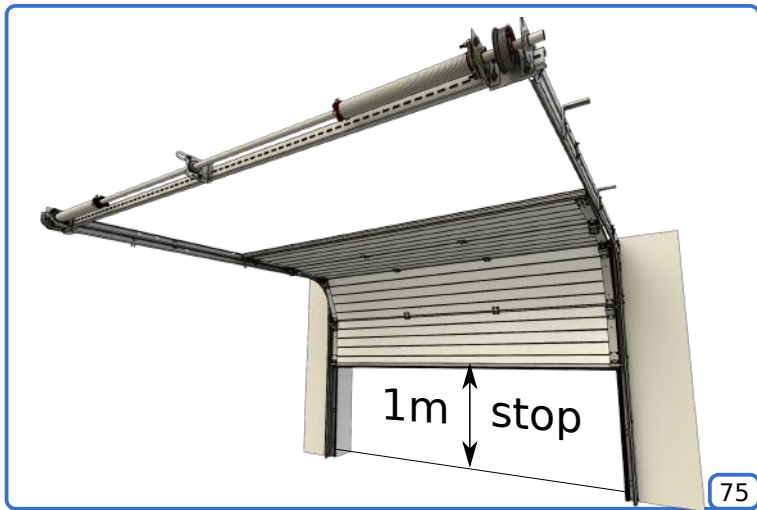
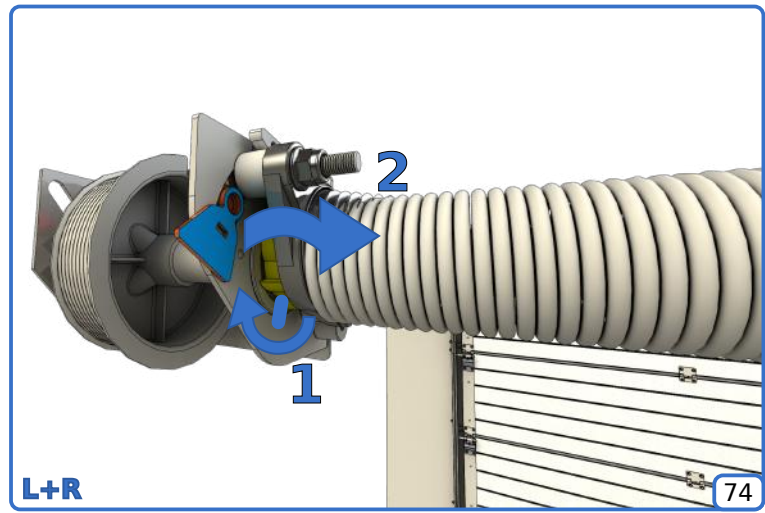
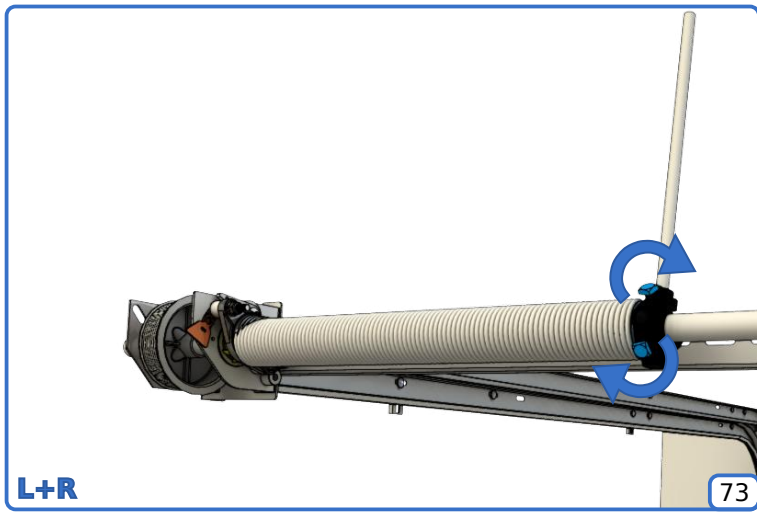
UNI-R



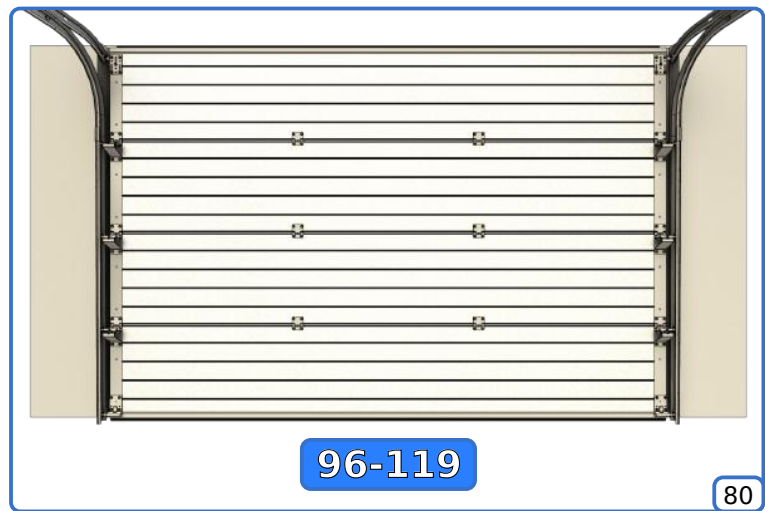
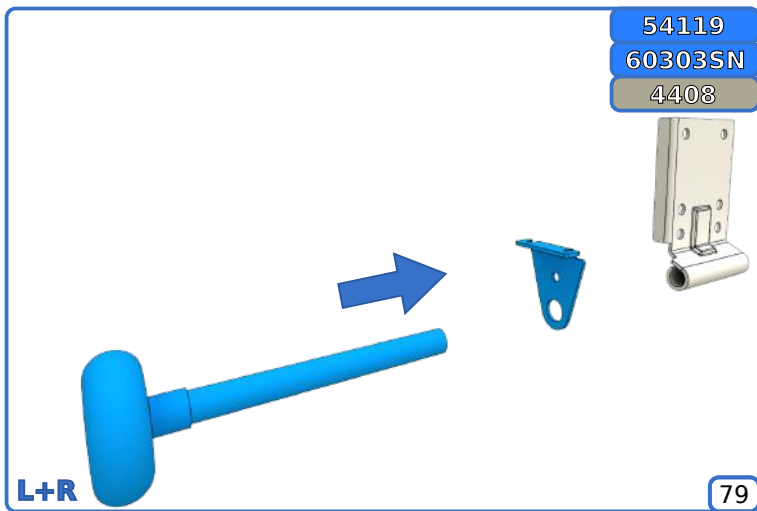
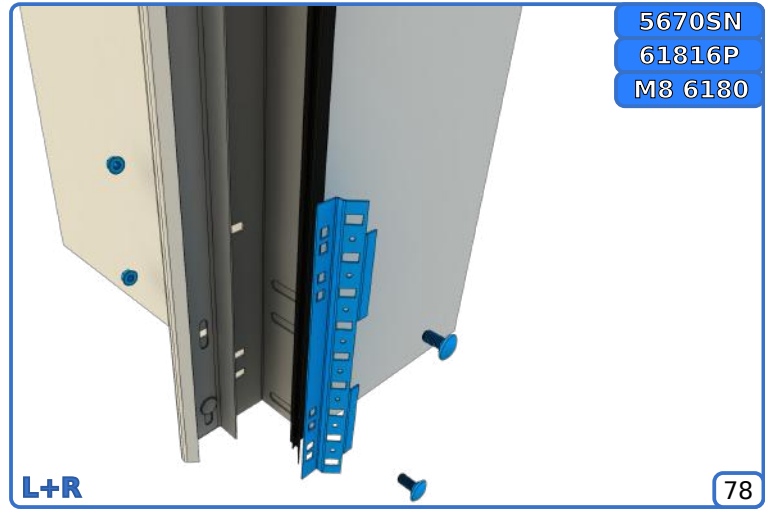
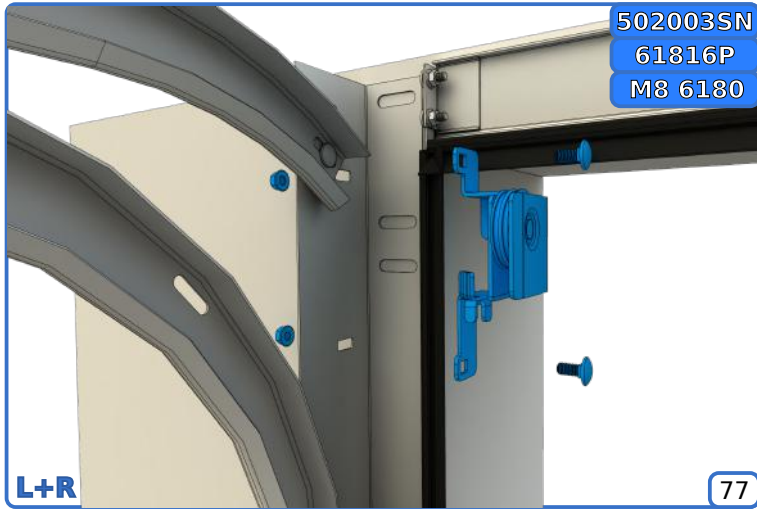
UNI-R



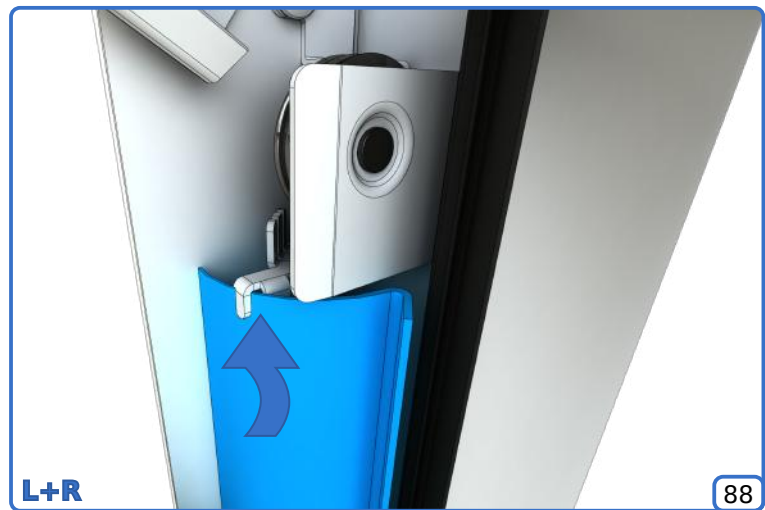
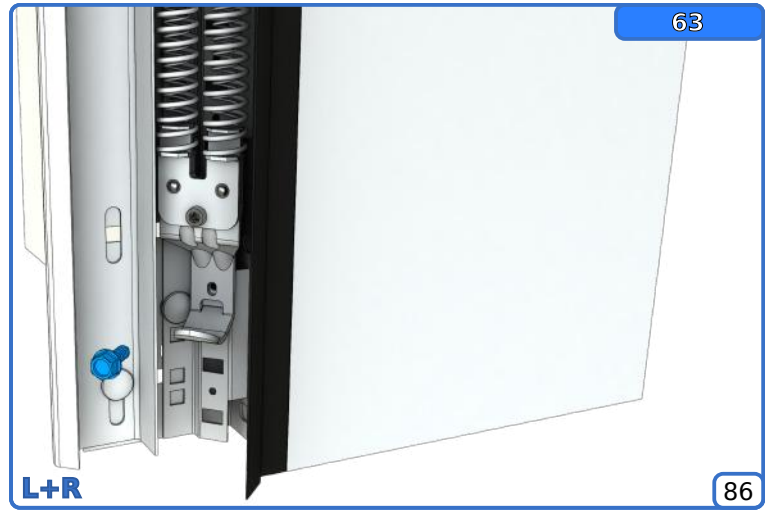
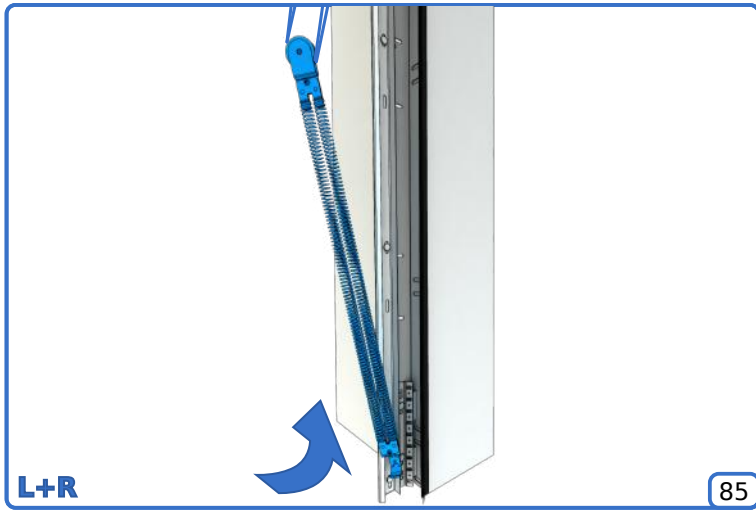
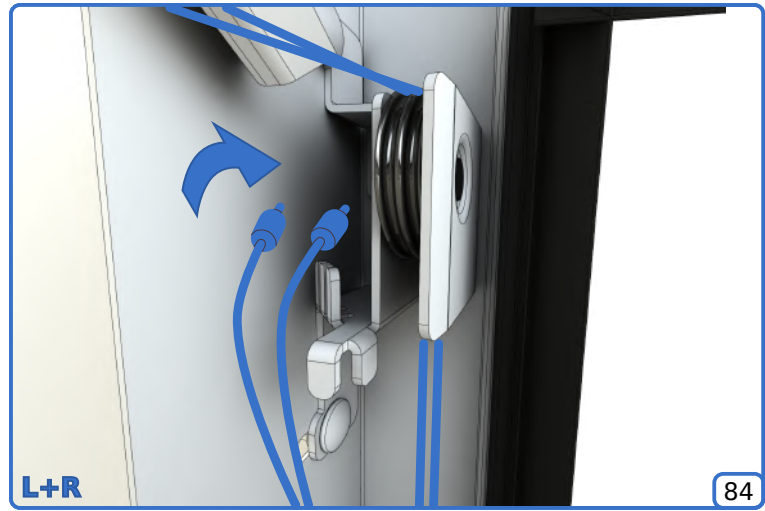
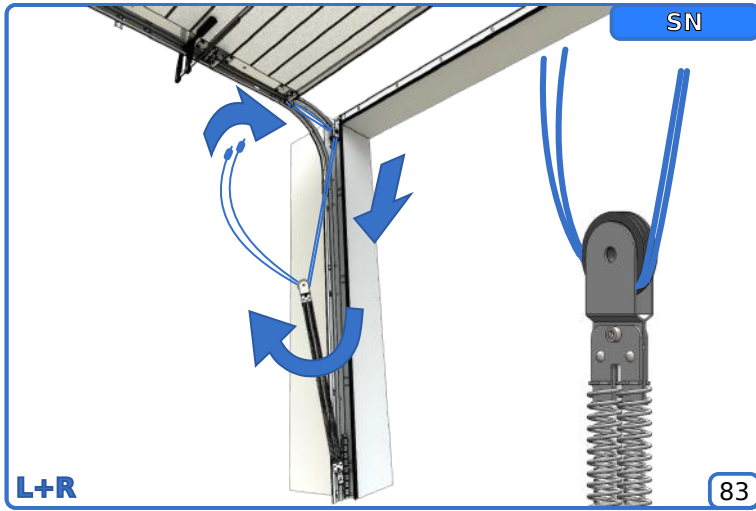
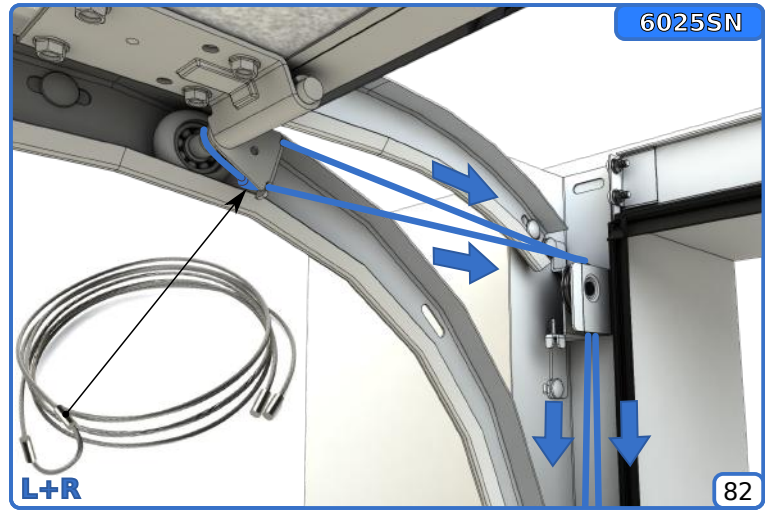
UNI-R



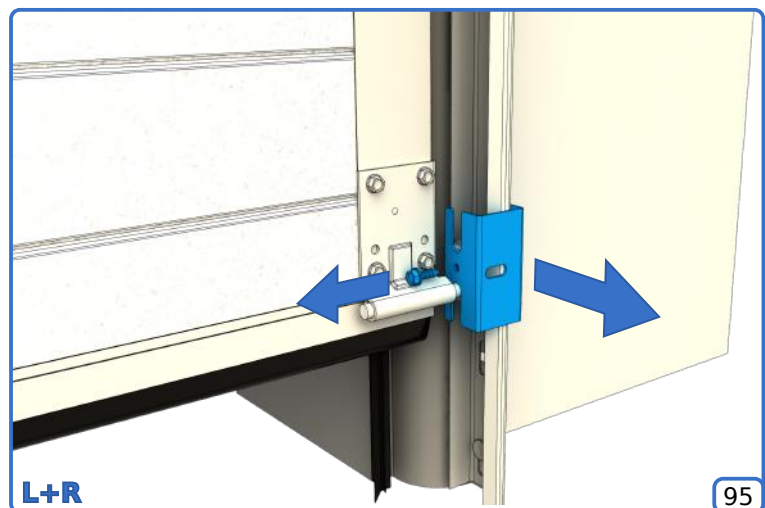
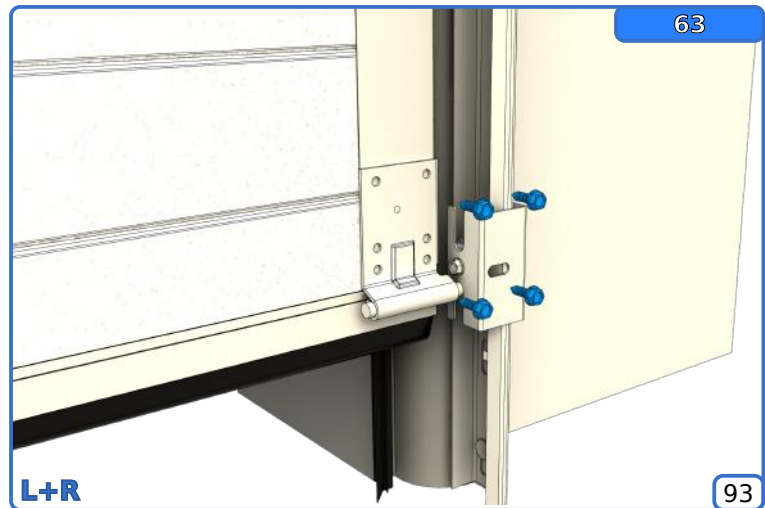
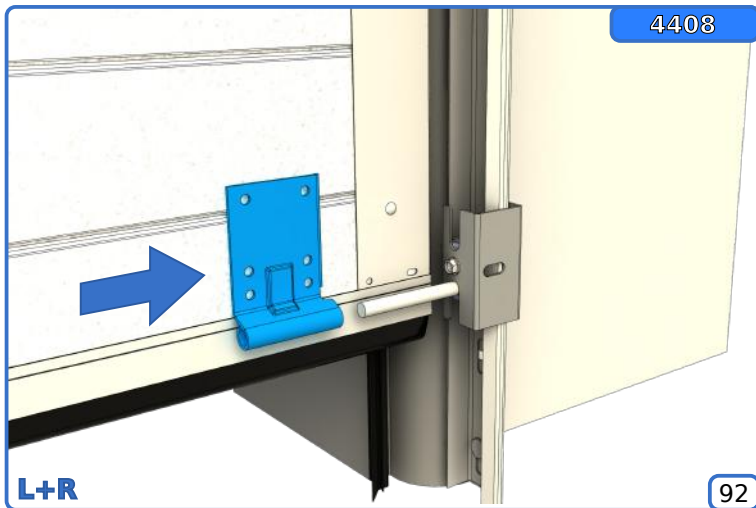
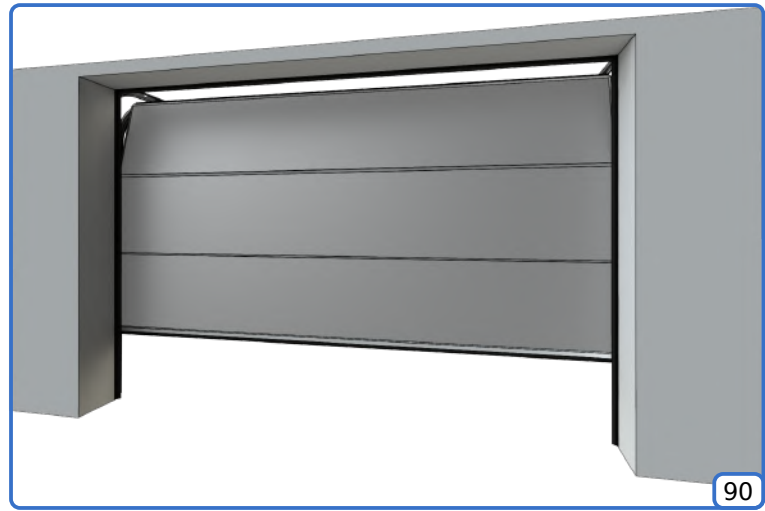
UNI-X



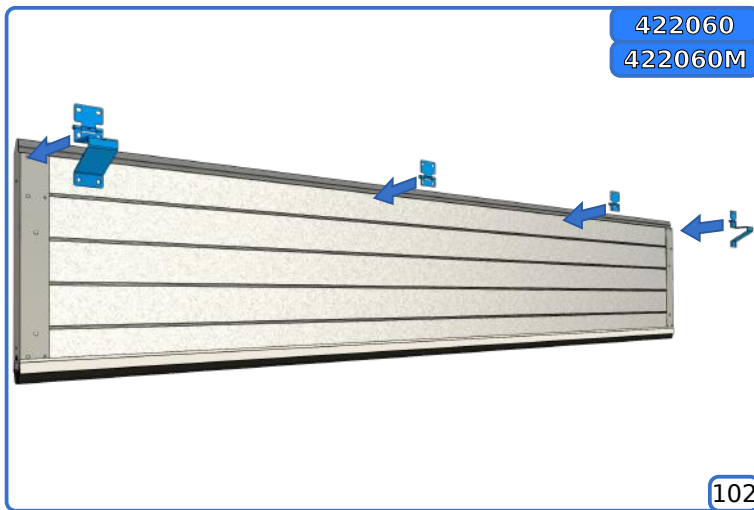
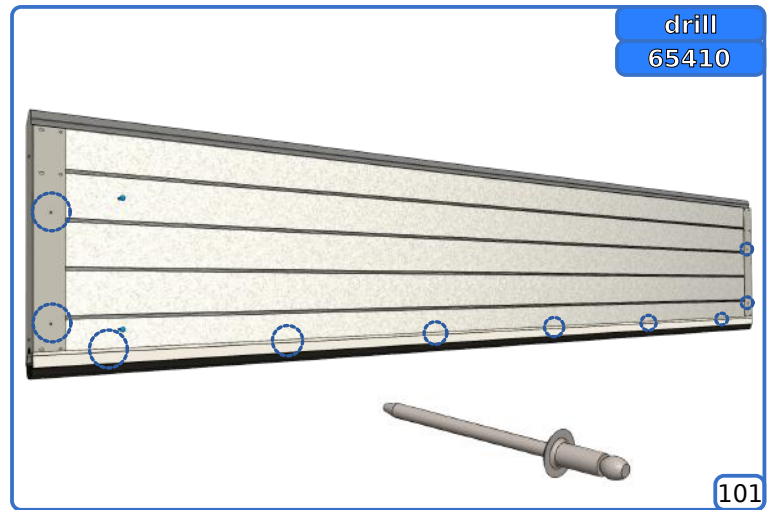
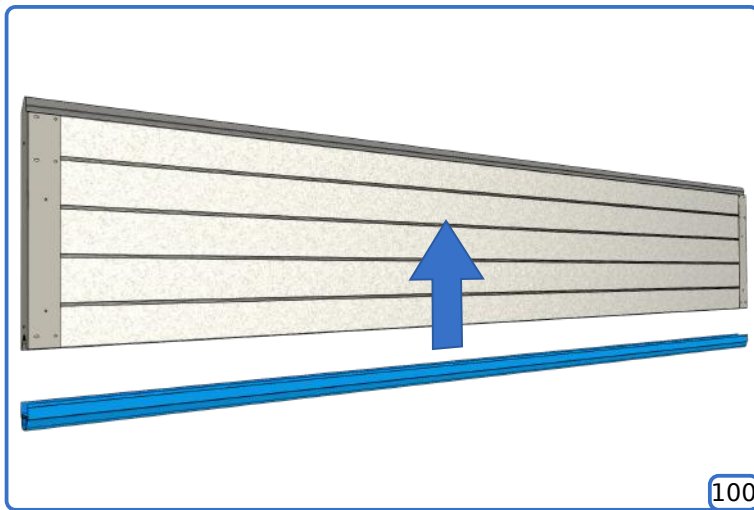
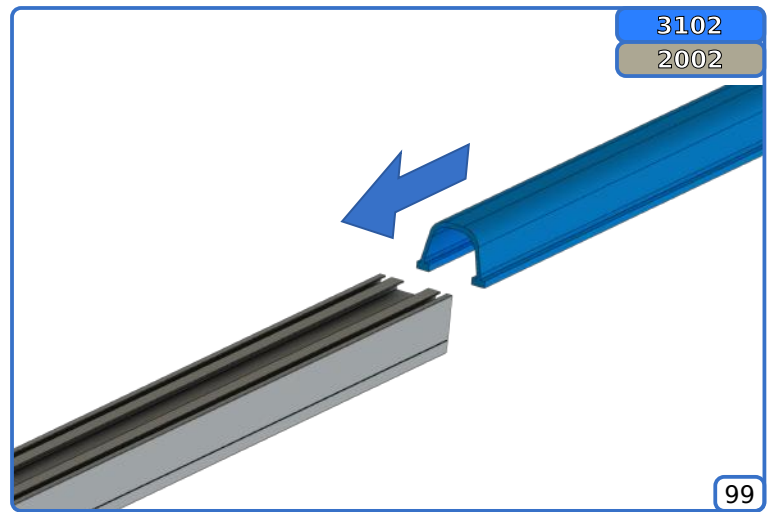
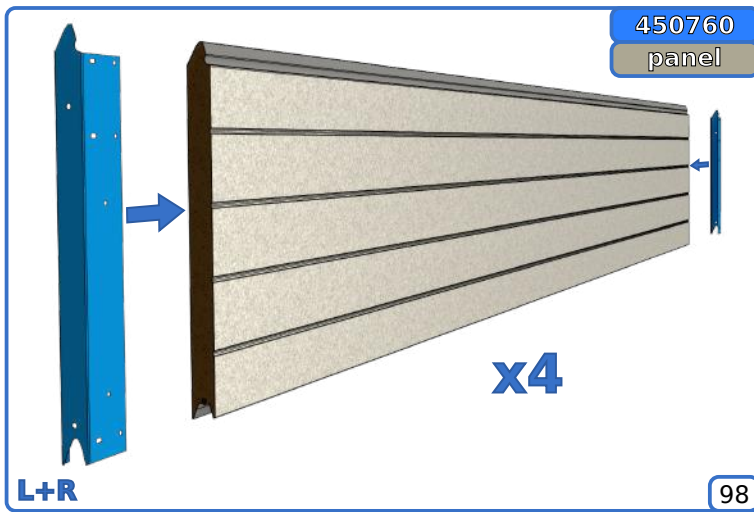
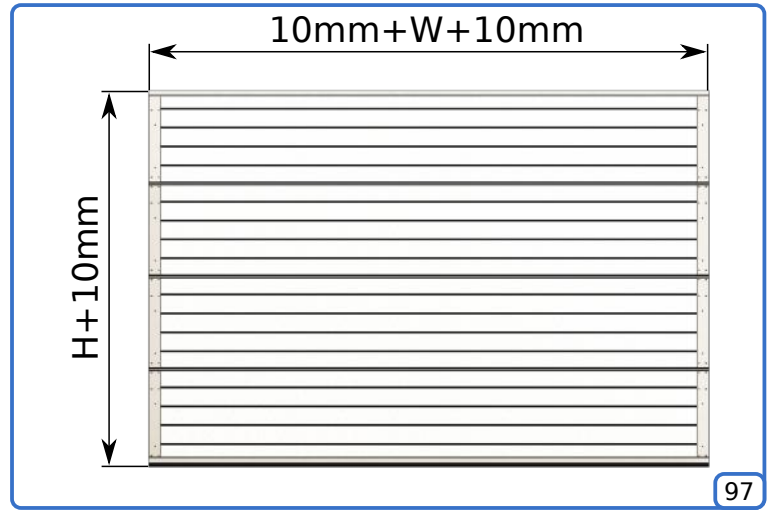
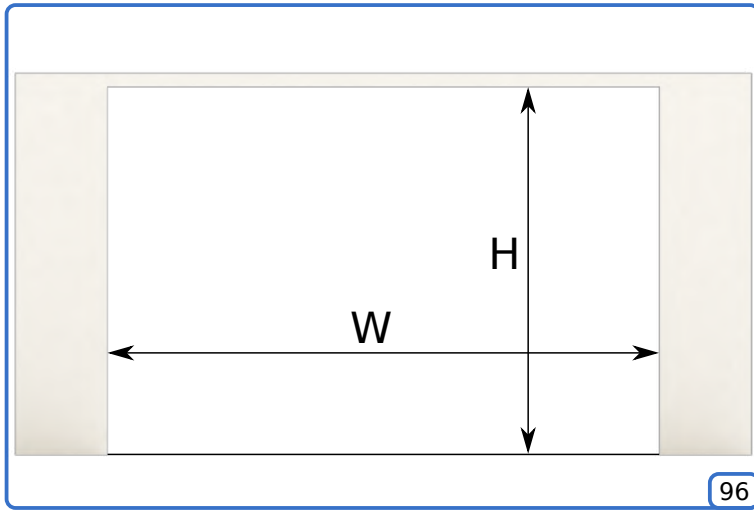
UNI-X



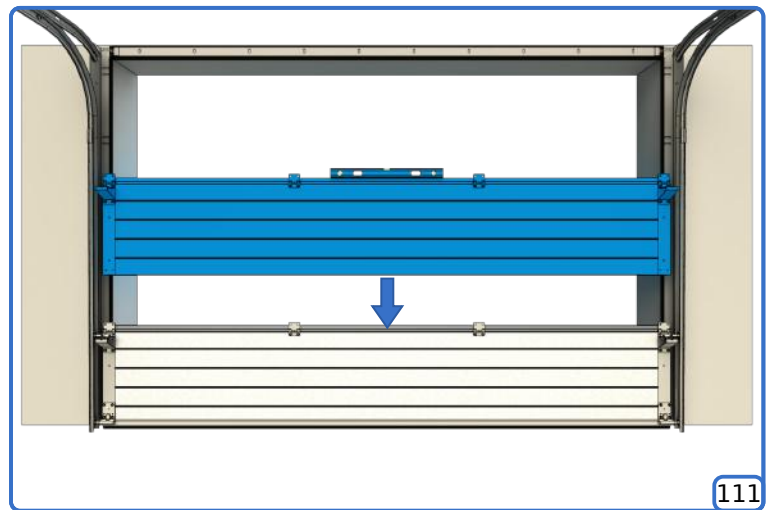
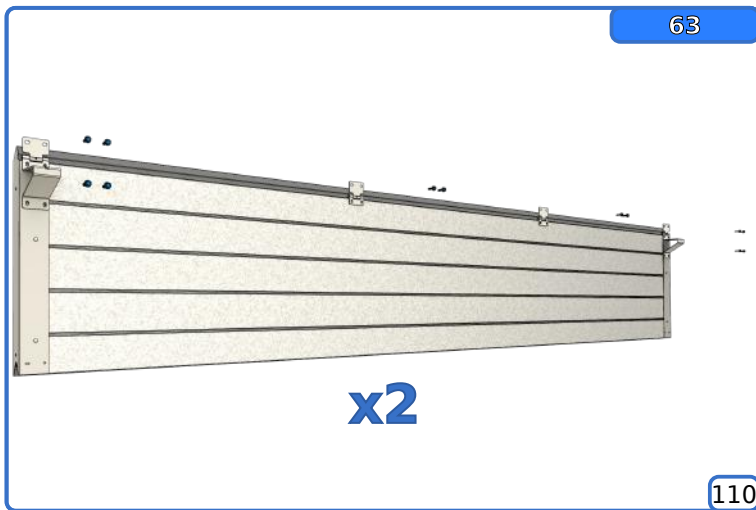
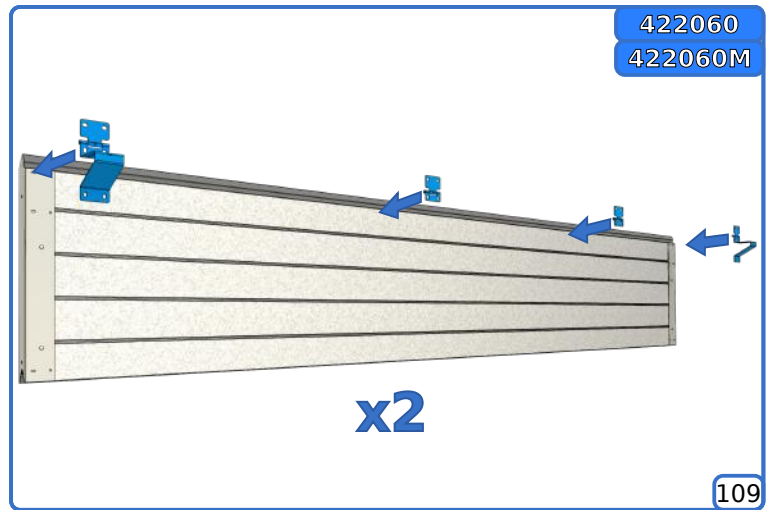
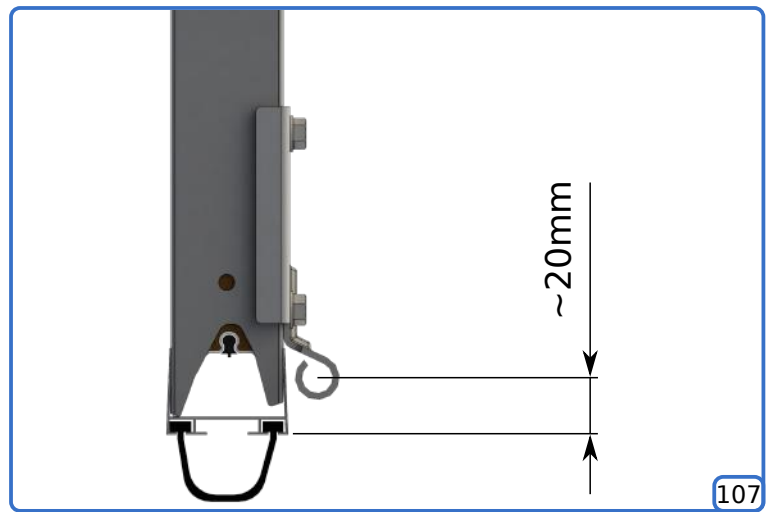
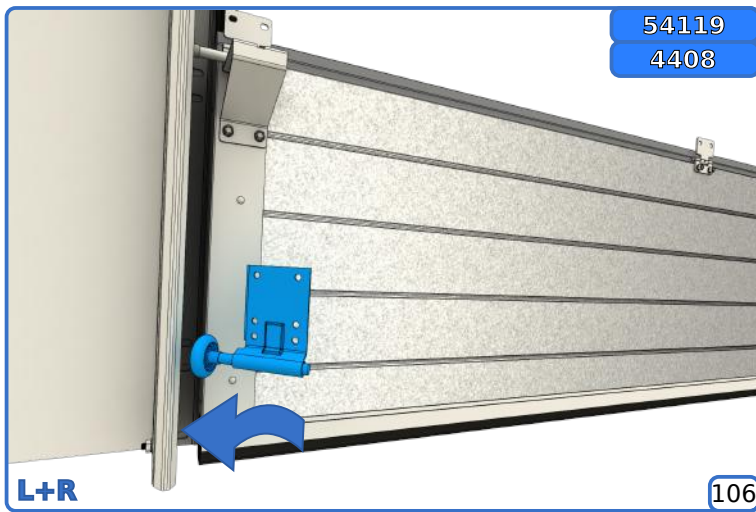
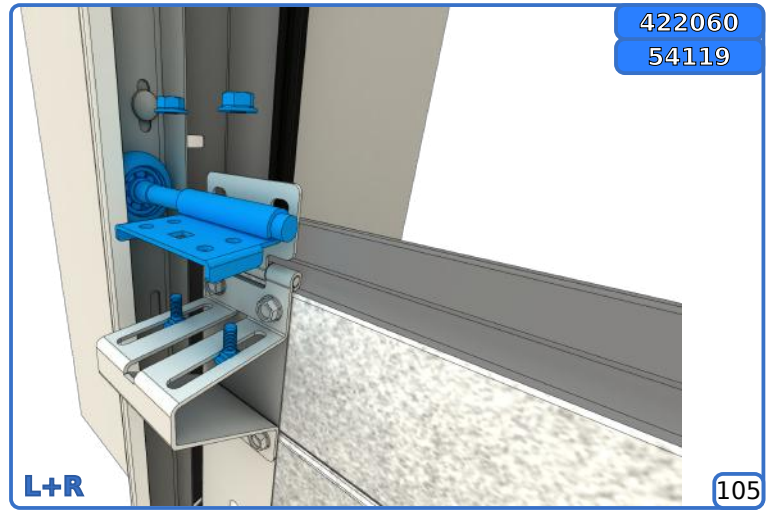
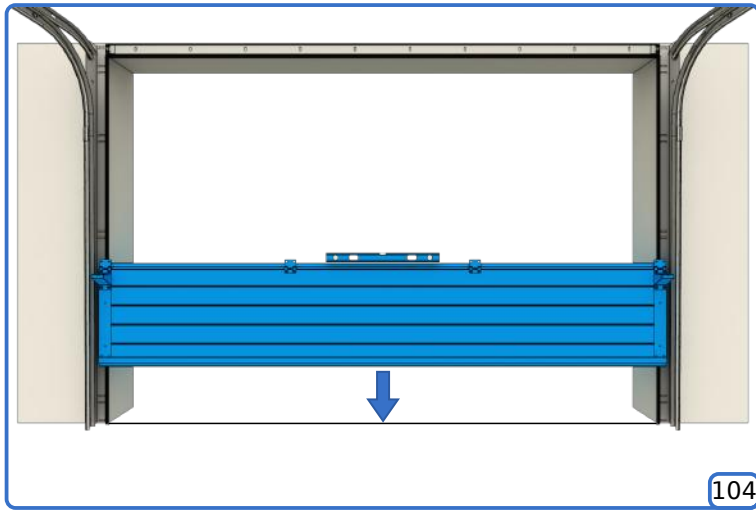
UNI-X



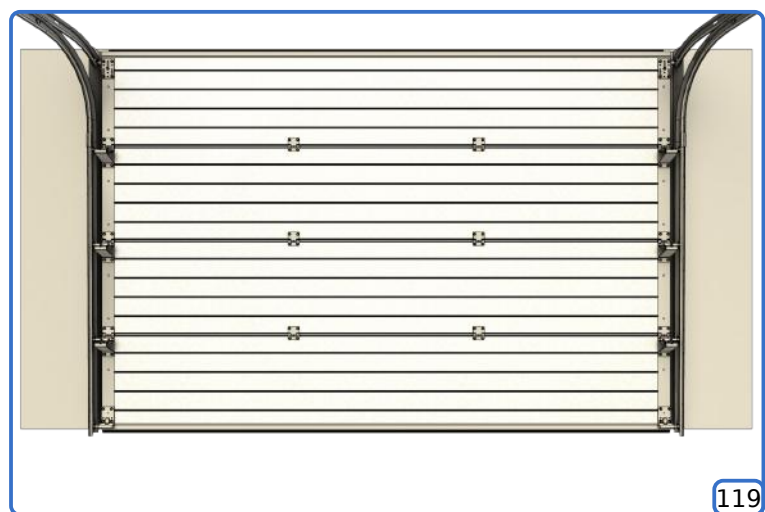
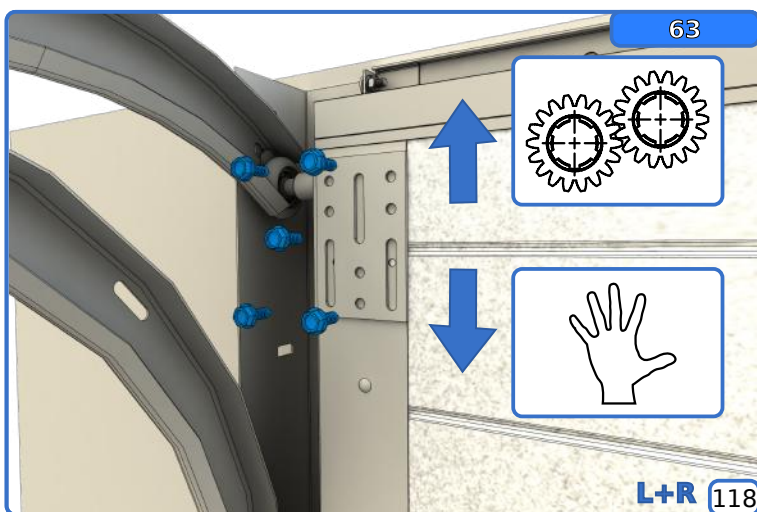
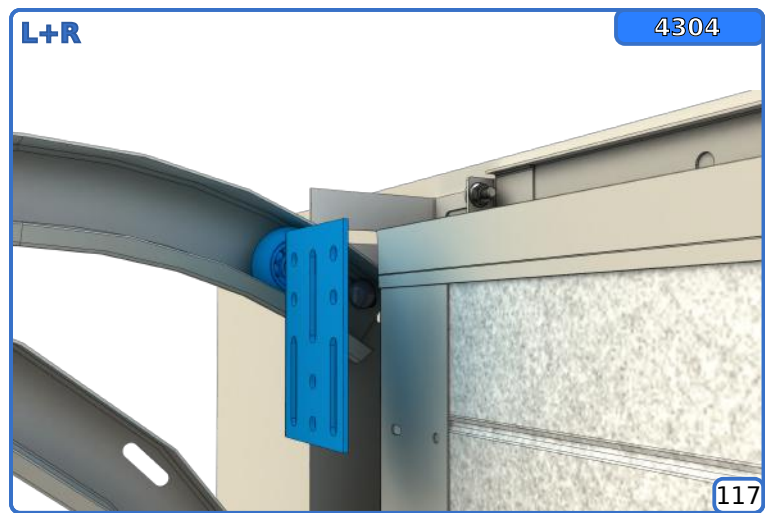
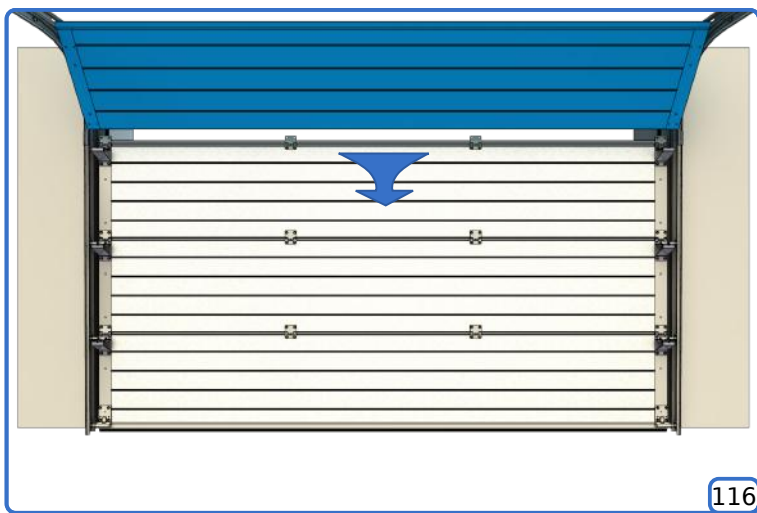
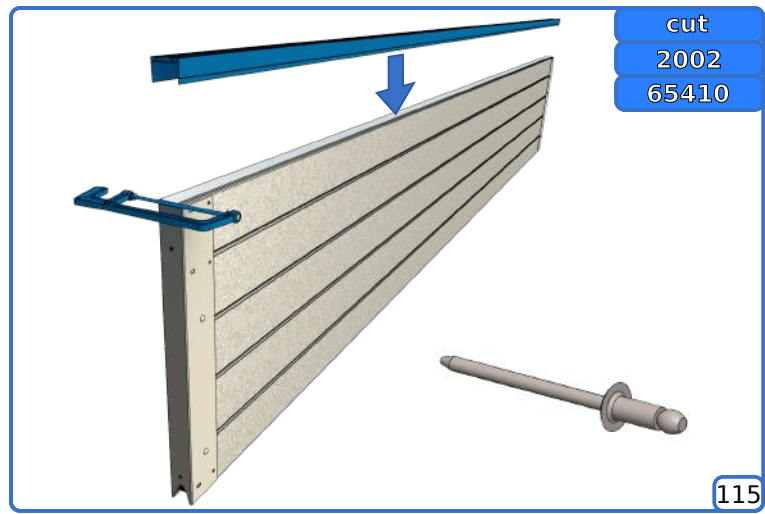
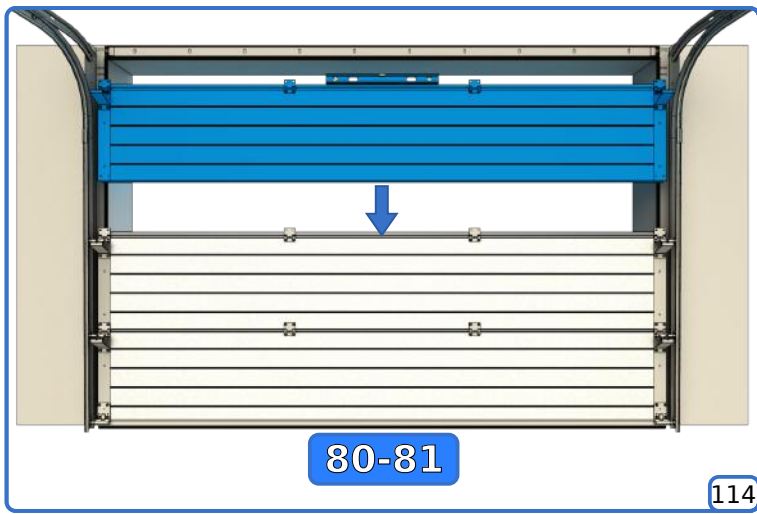
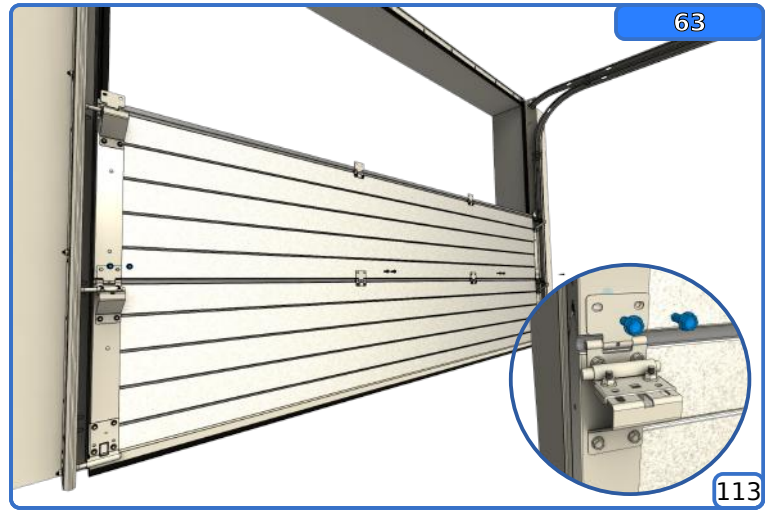
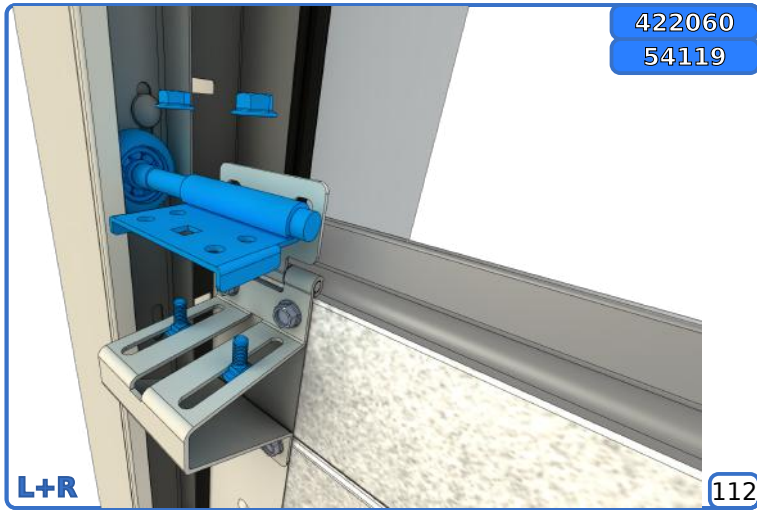
PANELS



PANELS



PANELS



PANELS

