



PASEDO [®]

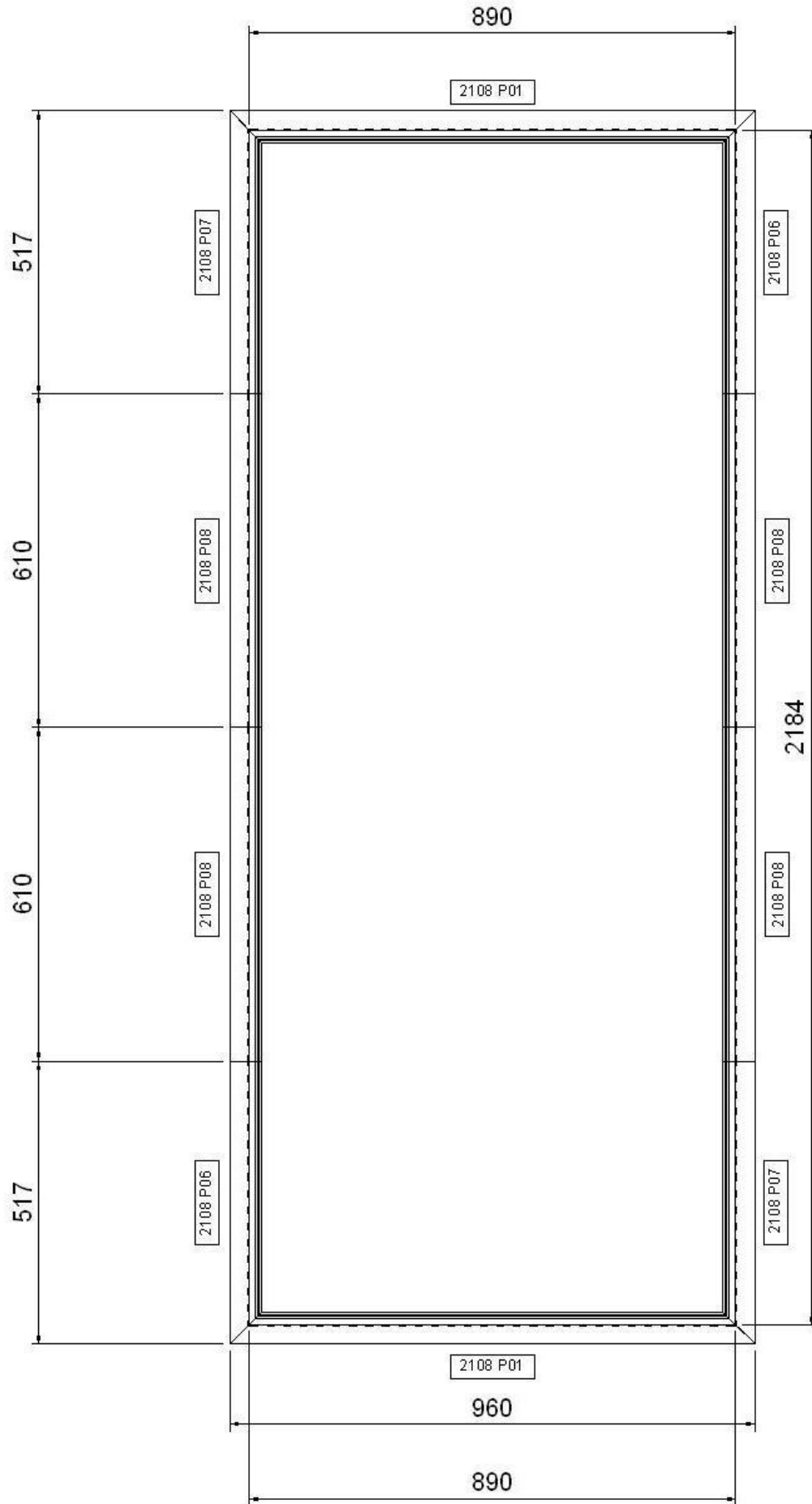
Garage door components

FOR PROFESSIONAL MONTAGE ONLY

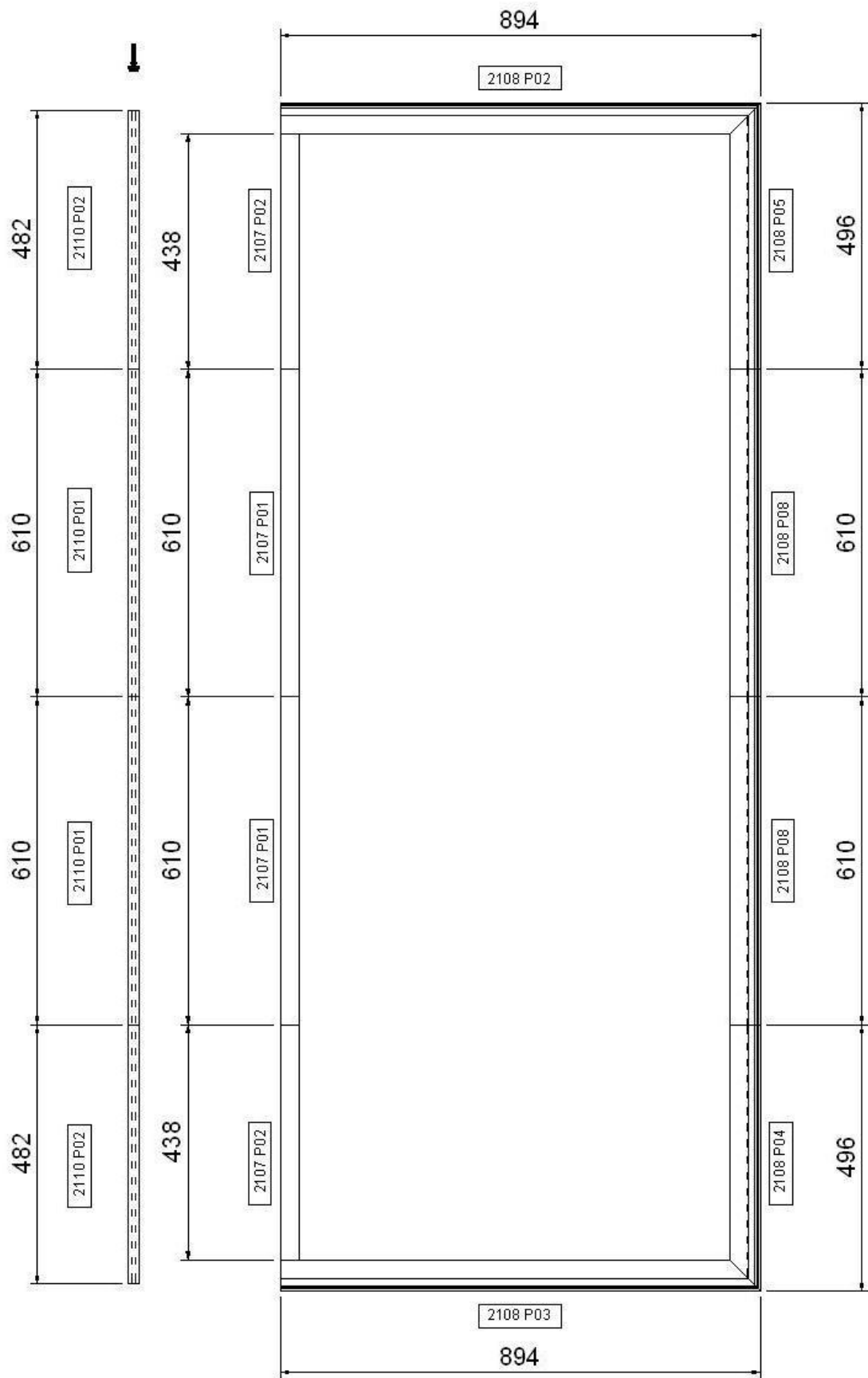


For safety reasons specified in the PN-EN 13241-1 +A2:2016 standard, this type of pass door can only be used when the risk of crushing or trapping fingers during the garage door closing (at the bend of the panels) occurs above a height of 2.5 m.

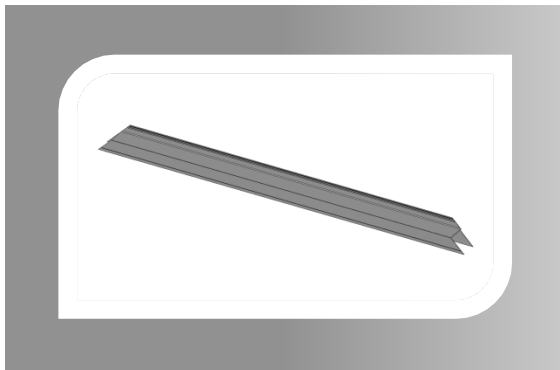
ALUMINUM PROFILES IN THE FRAME



ALUMINUM PROFILES IN THE PASS DOOR



LIST OF ALUMINUM PROFILES

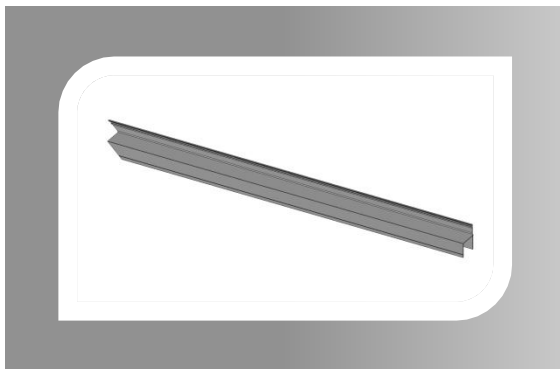


PROFILES

TYPE [h]

SYMBOL
LENGTH
QUANTITY

2108 P01
960 [mm]
2 [pc]

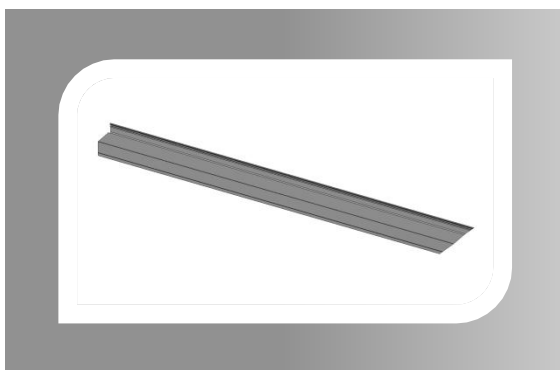


PROFILES

TYPE [h]

SYMBOL
LENGTH
QUANTITY

2108 P02
894 [mm]
1 [pc]

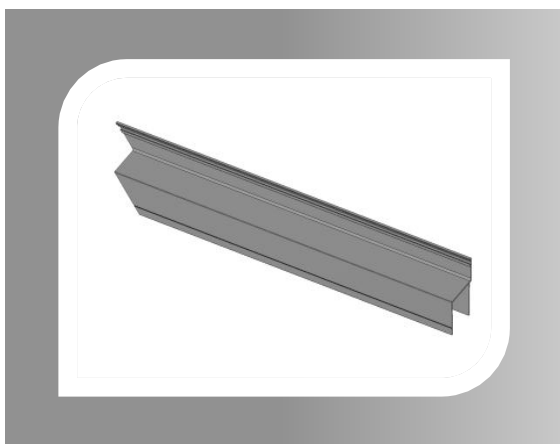


PROFILES

TYPE [h]

SYMBOL
LENGTH
QUANTITY

2108 P03
894 [mm]
1 [pc]



PROFILES

TYPE [h]

SYMBOL
LENGTH
QUANTITY

2108 P04
496 [mm]
1 [pc]

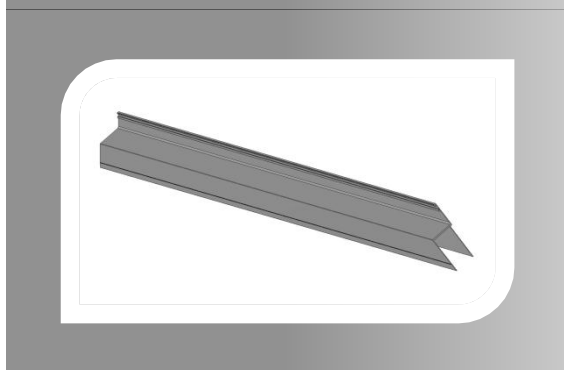


PROFILES

TYPE [h]

SYMBOL
LENGTH
QUANTITY

2108 P05
496 [mm]
1 [pc]

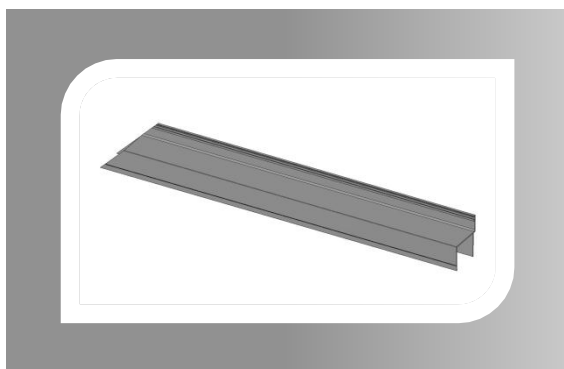


PROFILES

TYPE [h]

SYMBOL
LENGTH
QUANTITY

2108 P06
517 [mm]
2 [pc]

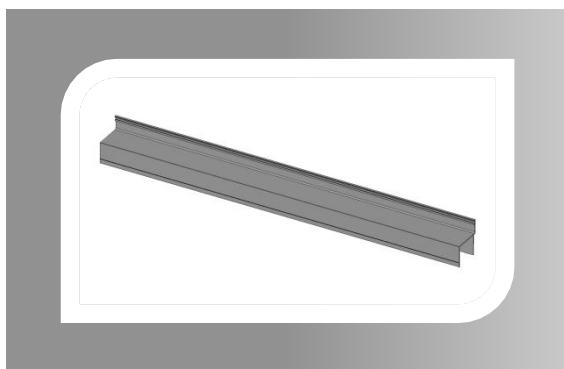


PROFILES

TYPE [h]

SYMBOL
LENGTH
QUANTITY

2108 P07
517 [mm]
2 [pc]

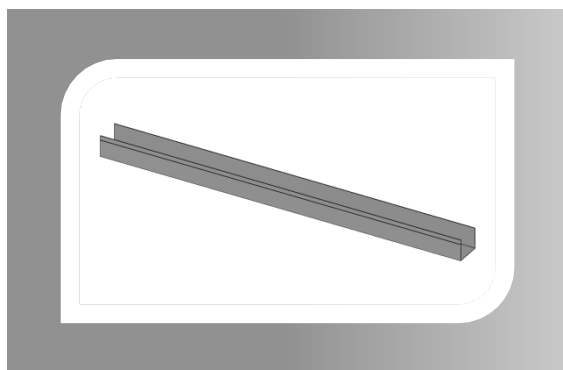


PROFILES

TYPE [h]

SYMBOL
LENGTH
QUANTITY

2108 P08
610 [mm]
6 [pc]

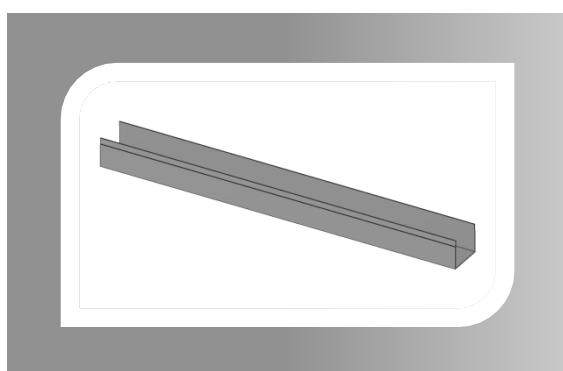


PROFILES

TYPE [U]

SYMBOL
LENGTH
QUANTITY

2107 P01
610 [mm]
2 [pc]

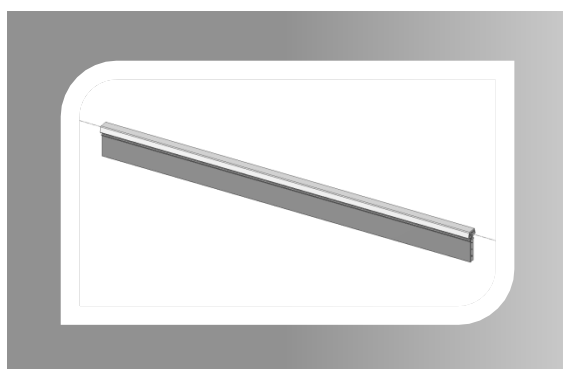


PROFILES

TYPE [U]

SYMBOL
LENGTH
QUANTITY

2107 P02
438 [mm]
2 [pc]

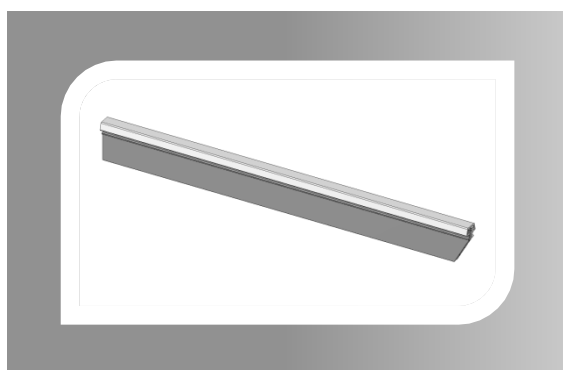


PROFILES

TYPE [HINGE]

SYMBOL
LENGTH
QUANTITY

2110 P01
610 [mm]
2 [pc]



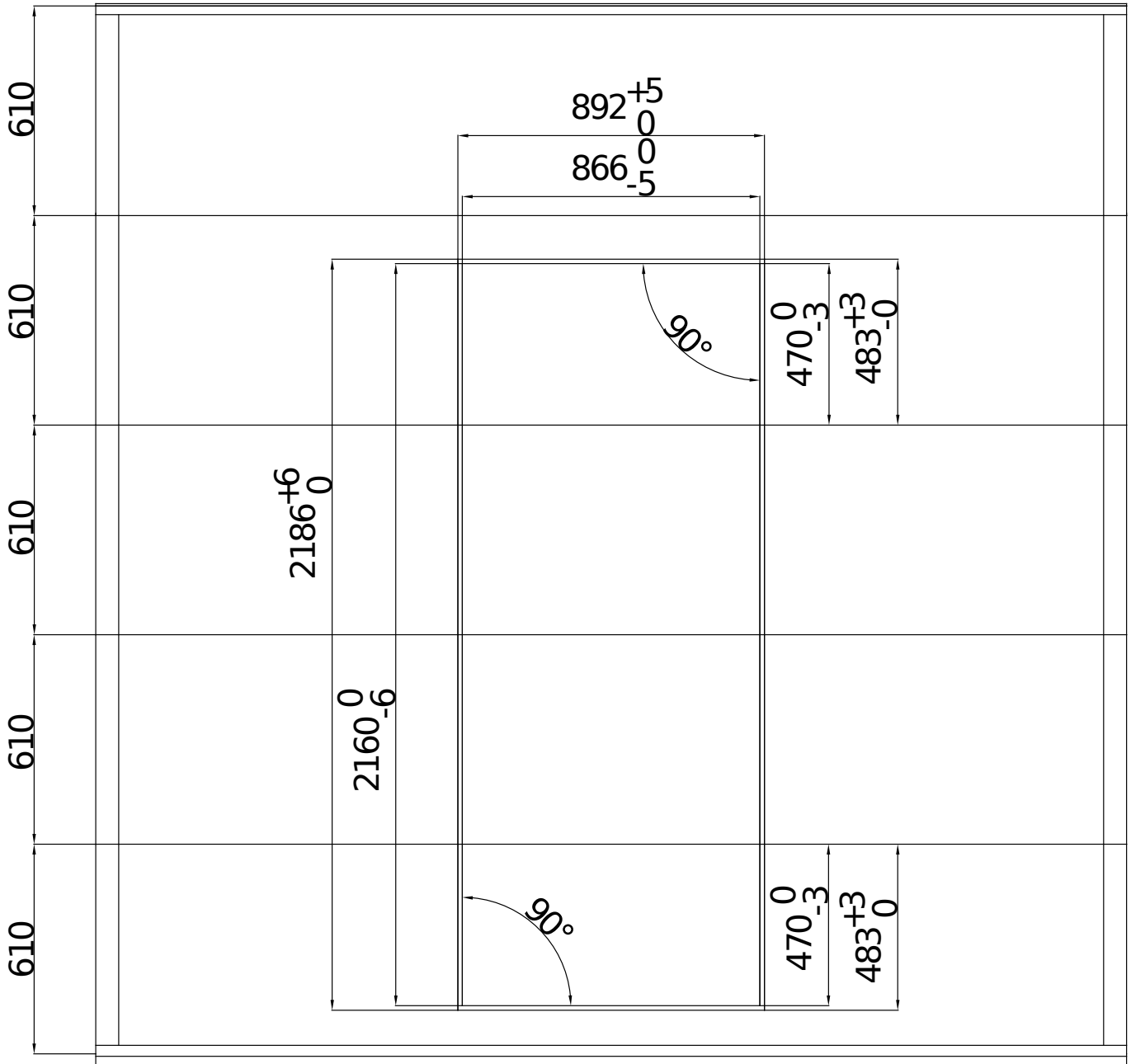
PROFILES

TYPE [HINGE]

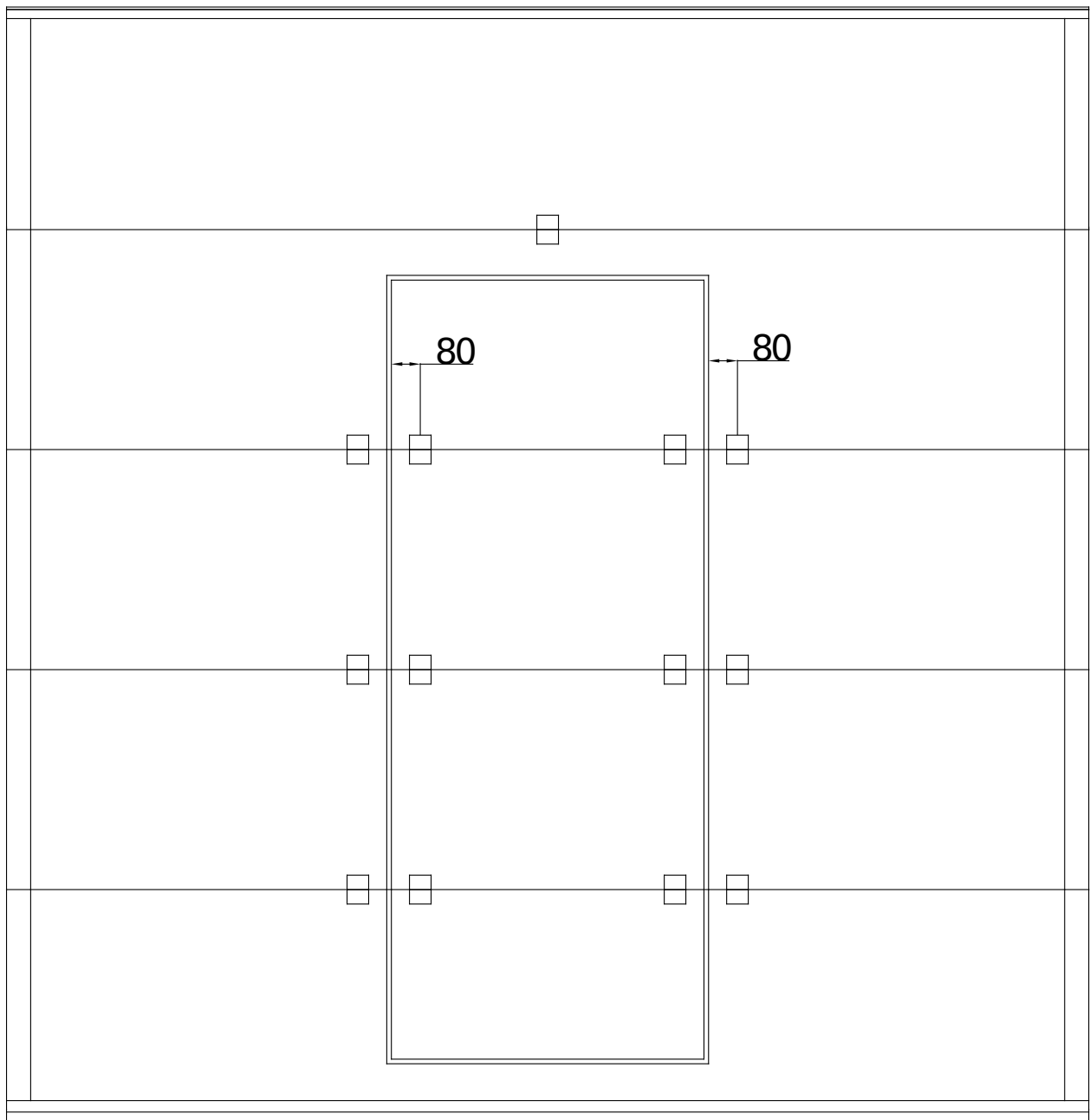
SYMBOL
LENGTH
QUANTITY

2110 P02
482 [mm]
2 [pc]

On the inside of the garage door draw a rectangle according to the dimensions given in the drawing below. The dimensions in the drawing show the size of the opening needed to mount the frame and the dimensions of the panels that will be installed in the door.



The middle hinges should be placed according to the drawing below. The hinges should not be placed symmetrically in the case of one-sided cutting of the door panels. Symmetrically placed hinges will cause them to be moved towards the cut side.



Drill holes in the corners of the drawn cutting line.



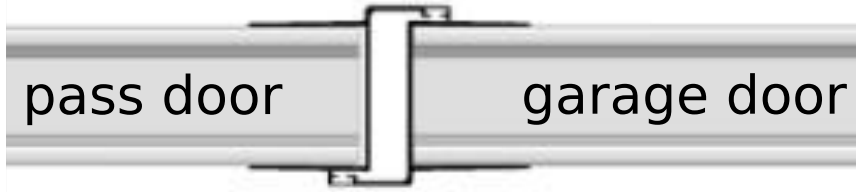
Using a jigsaw, cut out the hole along the previously drawn lines.



Put the cut panels aside in the same order.



outside



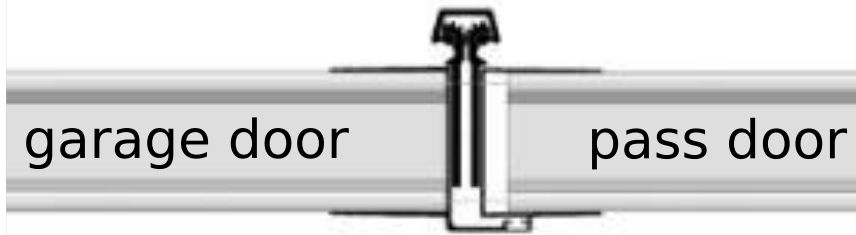
pass door

garage door

inside

outside

zawias



garage door

pass door

inside

garage door

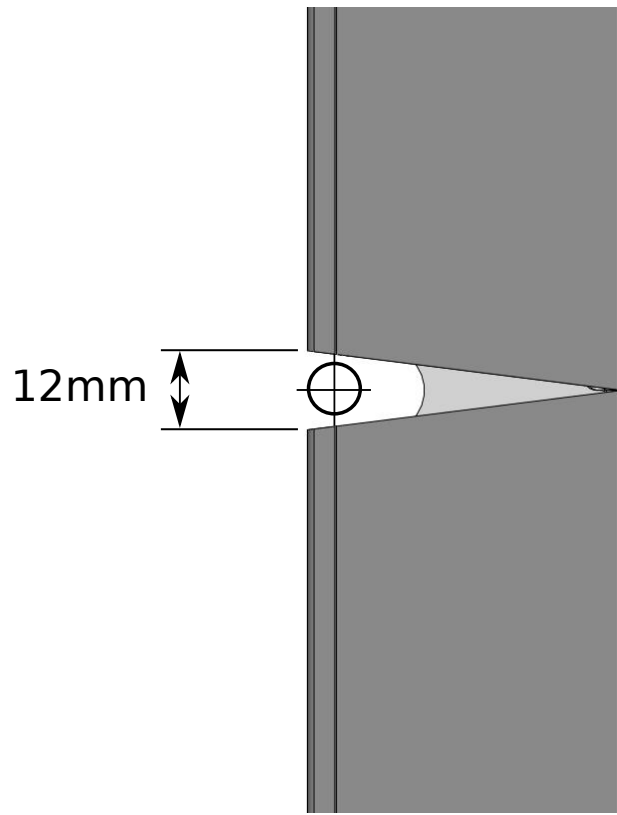
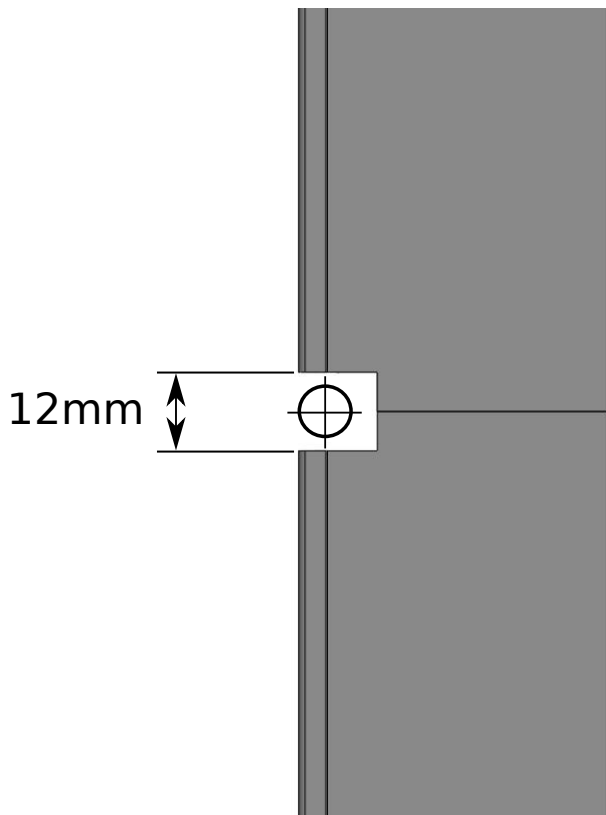
rain profile

inside

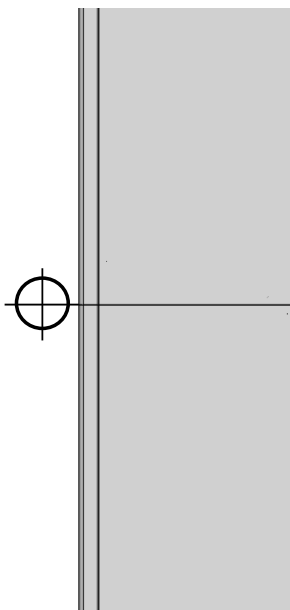
pass door

outside

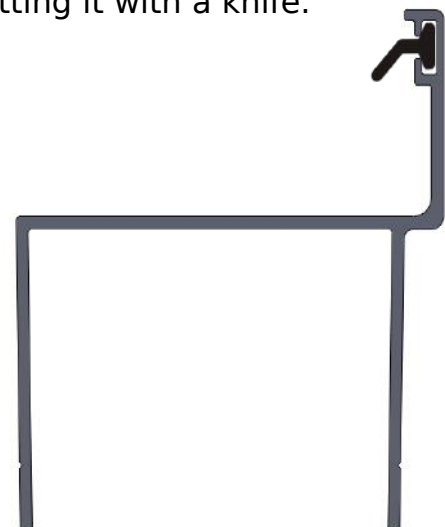
When installing a pass door on a fingersafe type of the panel, i.e. the hinge axis enters the gap between the panels, cuts on the profile connections according to one of the drawings below should be made. The cuts are made in the door frame and the door.



Symmetrical industrial panel

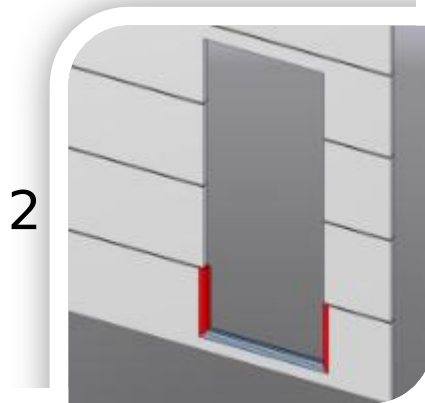


The profiles should be supplemented with the included 3001 seal by inserting it into the canal into the h-shaped profile and cutting it with a knife.



When changing the height of the door panels from 610 to another height, the h-shaped profiles must be cut to the appropriate length so that they are mounted flush.

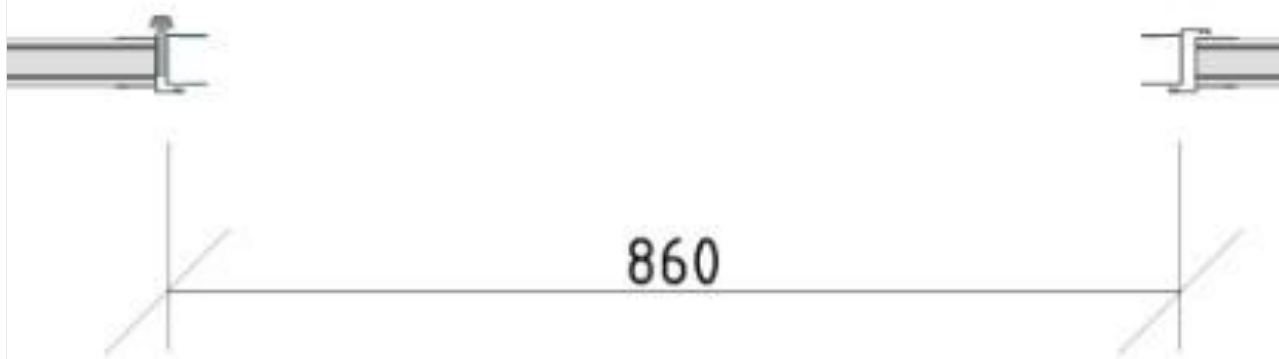
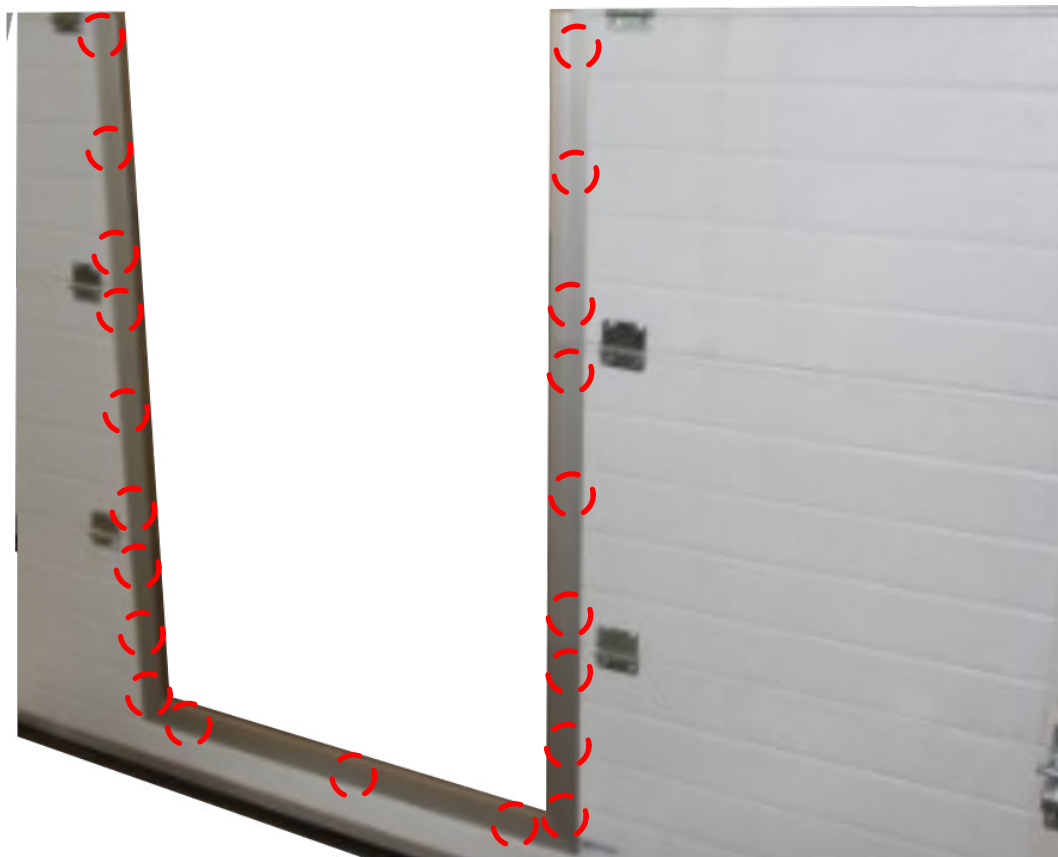
The frame profiles should be assembled in the given order.



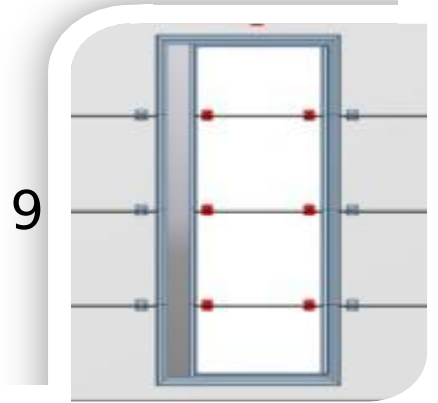
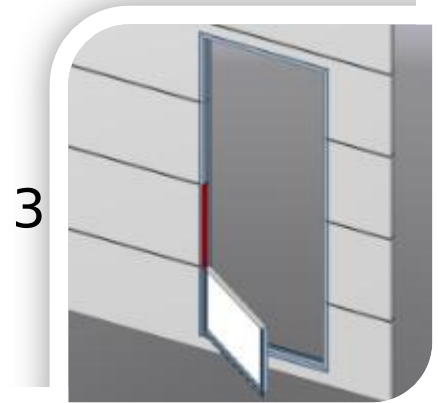
Check the horizontal, vertical, linearity of adjacent profiles and the diagonals of the entire frame.



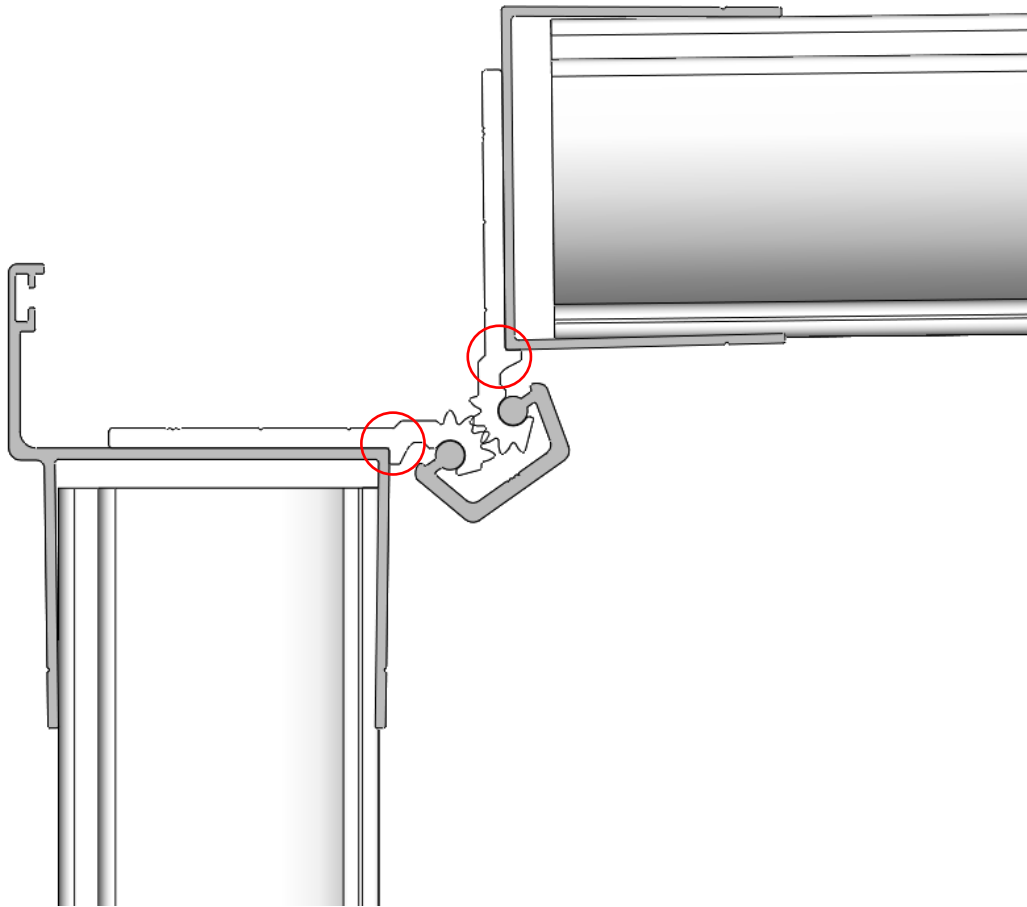
You need to drill 3 holes inside and 3 holes outside in each of the h-shaped profiles. For convenience, the profile has a groove that will determine the position of the drill. Then you need to rivet the profiles to the panels.



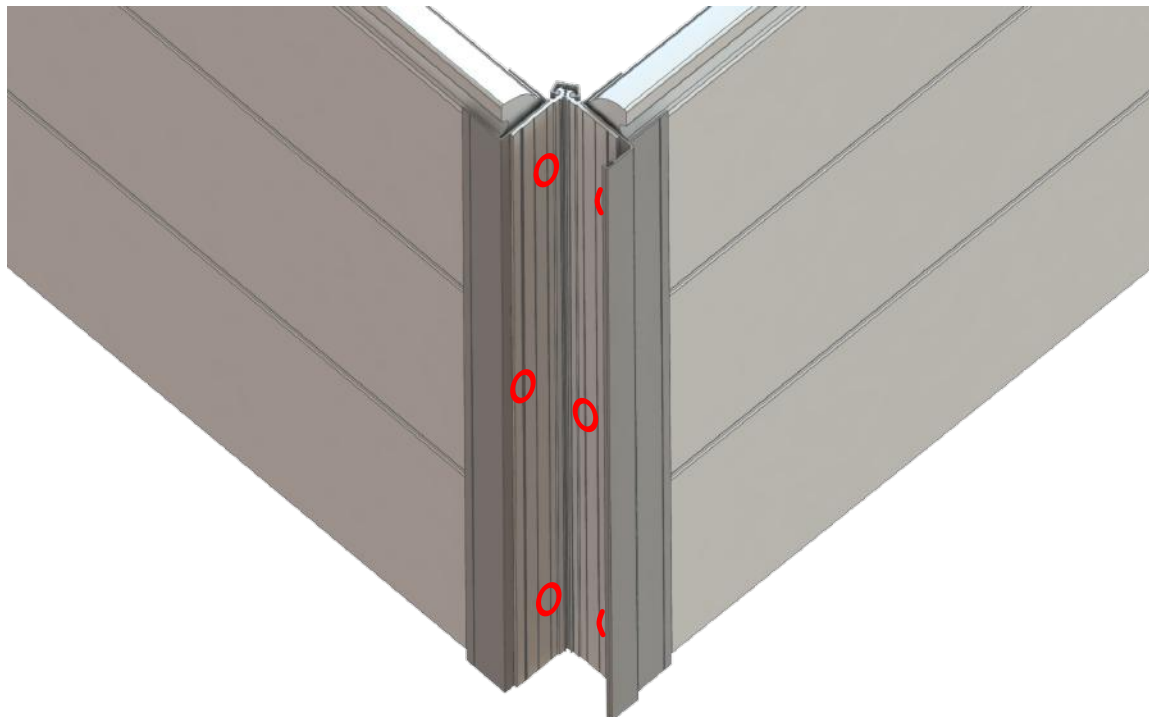
The pass door profiles must be placed on the door panels and installed in the order shown.



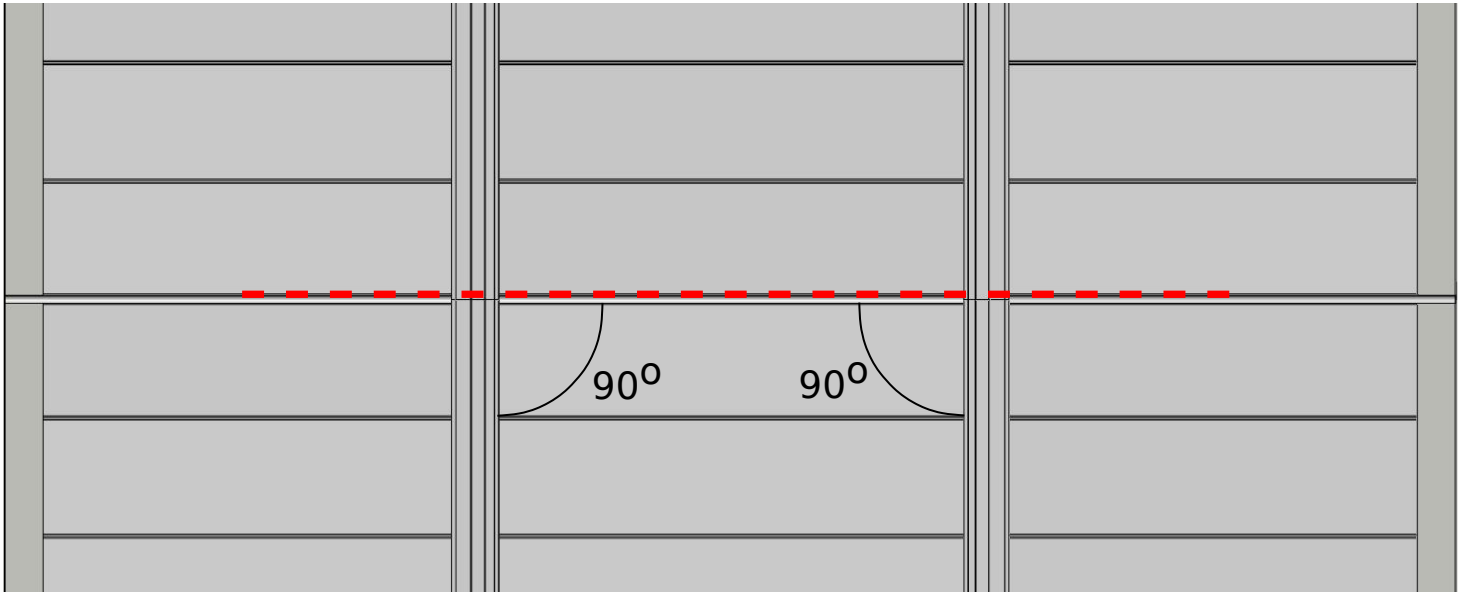
When installing the hinges, make sure to properly align the profile with the projection on the hinge.



The rivets should be placed alternately in the garage door and the pass door so that they do not hit each other when the door is closed.



The panels should be cut to the dimensions given in the drawing on page 7. The profiles should be installed matching their sides, depending on the door opening (right or left), and the c-shaped profile should be mounted on the side of the hinge. The panel should be positioned so that the profiles on the pass door match the profiles on the garage door and that 90-degree angles are maintained. The rivets should be mounted in the same way as in the frame, 3 rivets on the outside and inside.



The installation of the first panel with the hinge should be done at the open door and the upper edge of the hinge should be faced with the profiles in the frame and in the pass door.



The correct assembly of the h-shaped profile with the c-shaped profile in the corners of the door, at the top and bottom, from the side of the hinge is shown in the illustration below.



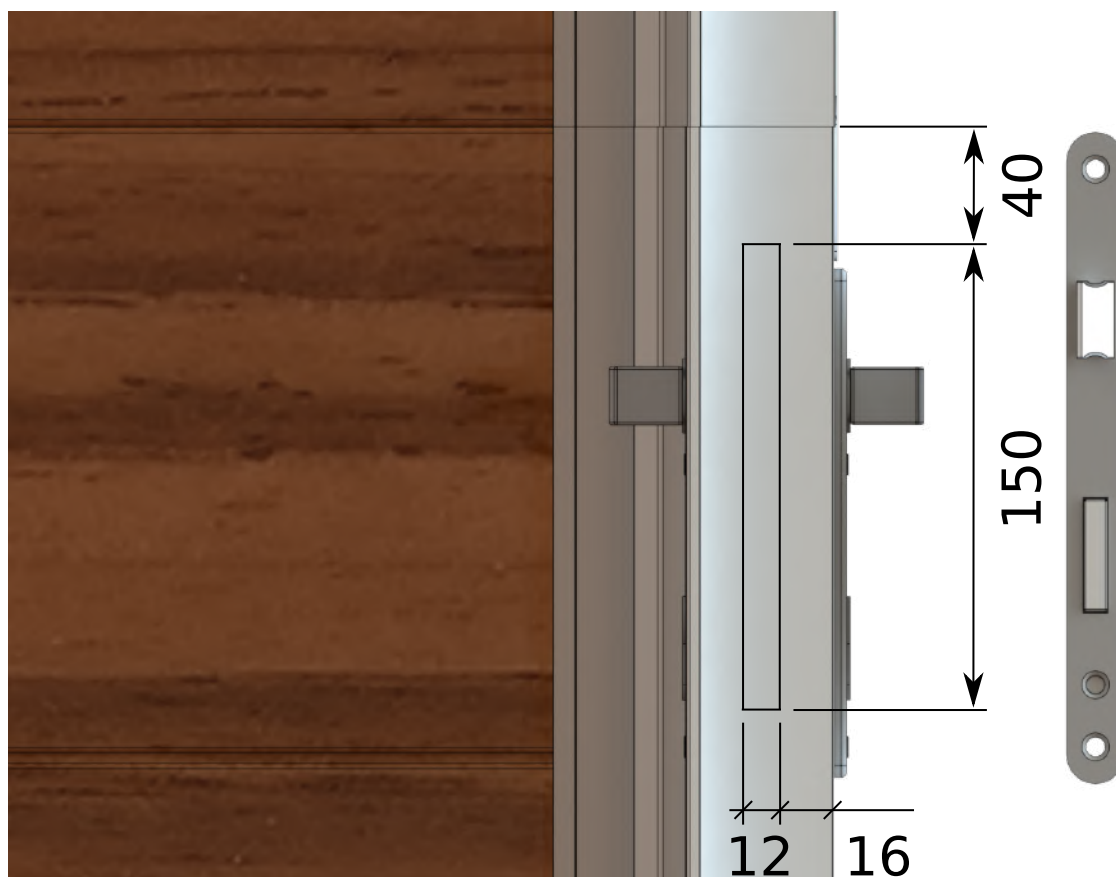
The subsequent panels should be installed in the same way, and the particular panels should be connected to each other using central hinges according to the scheme on page 8.



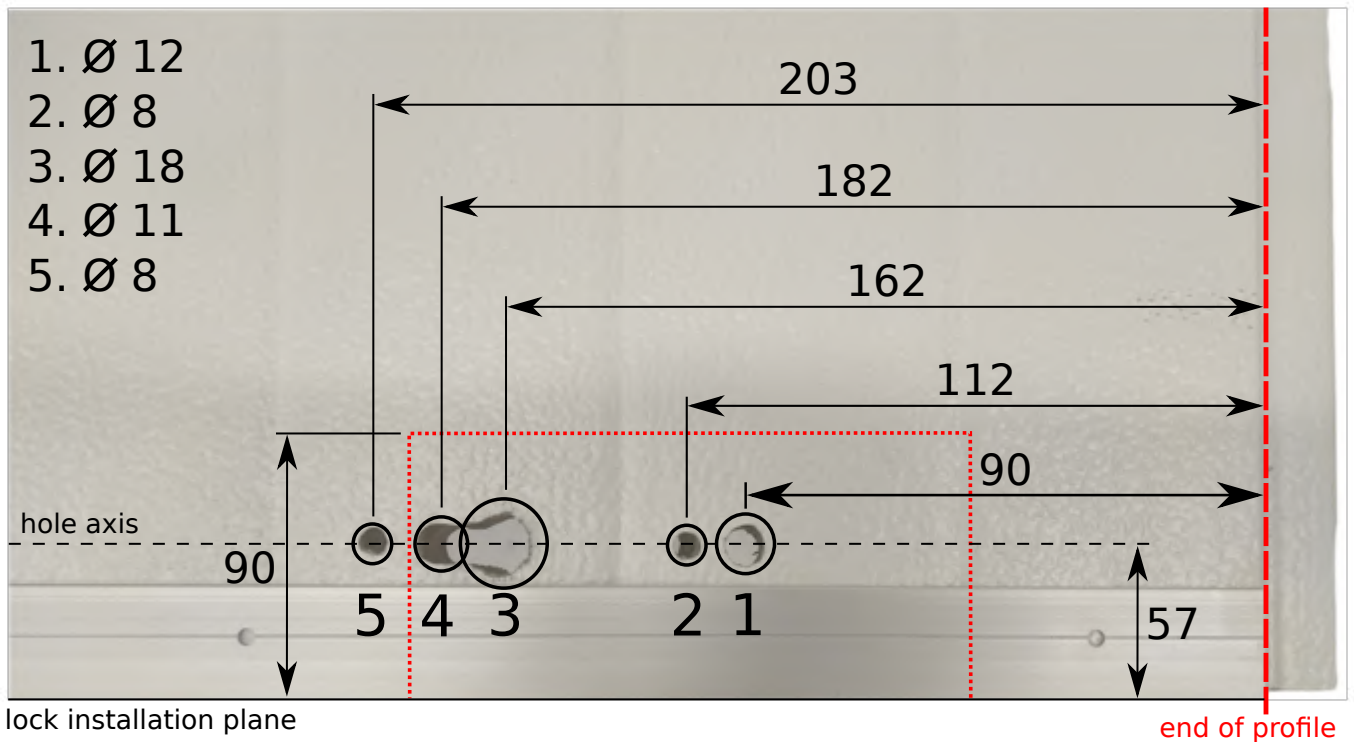
The rain profile should be mounted using rivets. Silicone should be applied between the rain profile and the h-shaped profile of the door frame to seal the connection.



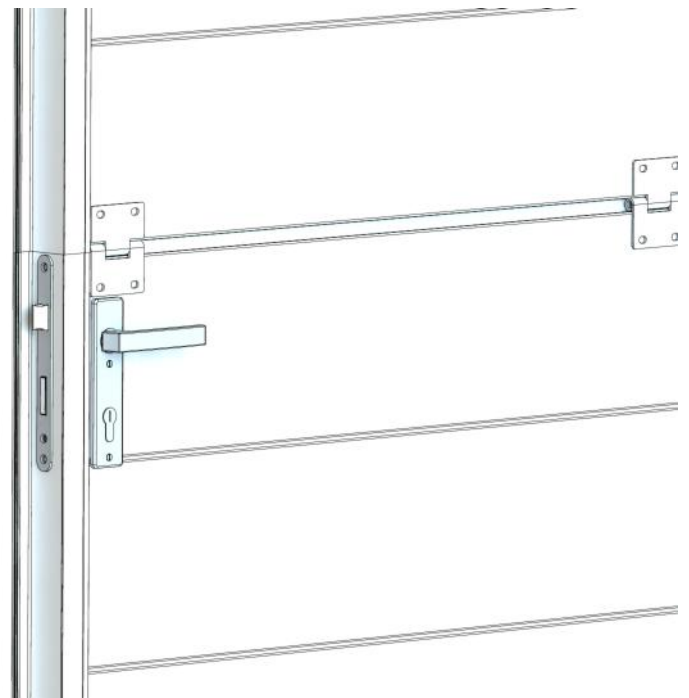
Then, the lock and handle should be installed. A hole should be cut into the lock mounting plane, in which the lock should be placed according to the drawing below. The foam in the panel should be cut to a depth of 90 mm.



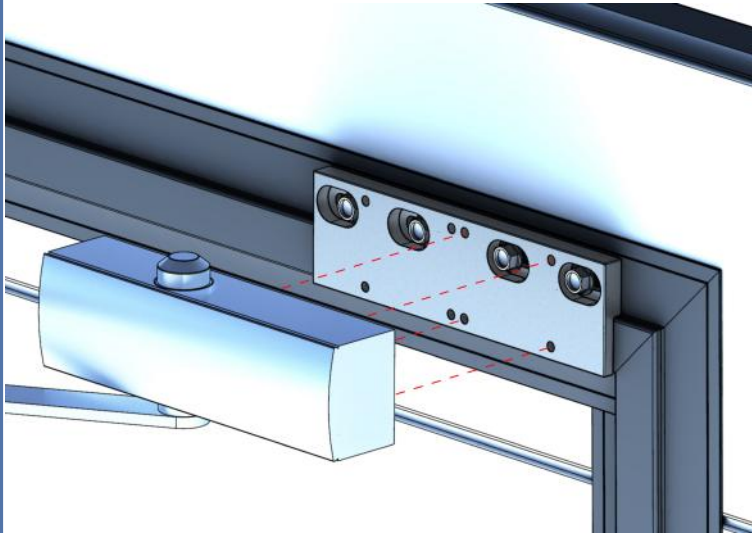
Holes should be drilled with drills of the appropriate diameter in the locations indicated in the diagram below.



After inserting and securing the lock, place the key insert in it and tighten it with a screw. Then, install and secure the handles and plates.



The door closer should be installed as shown in the drawing below.



The door opening angle should be adjusted by moving the latch located in the door closer rail. The door closing speed and closing force are adjusted using the screws located on the side of the door closer body.

