

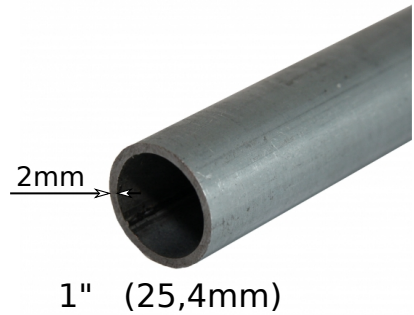
W - width of the door opening

L min - minimum shaft length

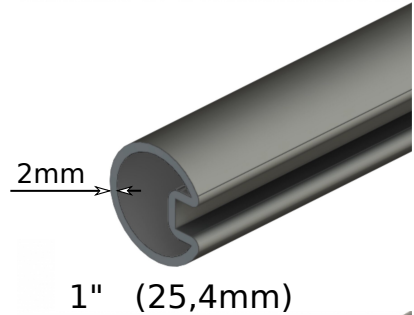
170mm - width of side angles and bearings
(if side drive, add the required length)

$$L_{min} = W + 170mm$$

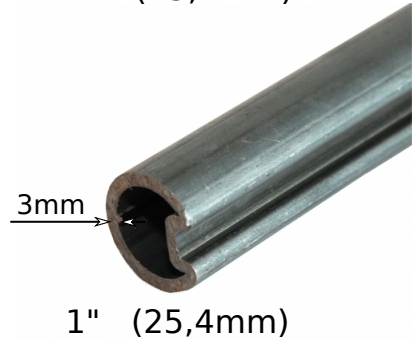
3720 - max door weight 104kg



3820 - max door weight 160kg



3830 - max door weight 200kg



3840 - door weight over 200kg

